

MODEL NUMBER
CPL-5045-20-NNN-79

NOTES:

- 1.0 ELECTRICAL SPECIFICATIONS:
 - 1.1 FREQUENCY RANGE: 1.0 to 2.0 GHz
 - 1.2 COUPLING: 20 ± 1.0 dB
 - 1.3 FREQUENCY SENSITIVITY: ± 0.75 dB
 - 1.4 INSERTION LOSS: 0.20 dB MAX.
 - 1.5 DIRECTIVITY: 25 dB MIN.
 - 1.6 VSWR: 1.15:1 MAX.
 - 1.7 INPUT POWER:
 - AVG INPUT: 500 WATTS
 - AVG. REVERSE: 500 WATTS
 - AVG. PEAK: 10 KILOWATTS

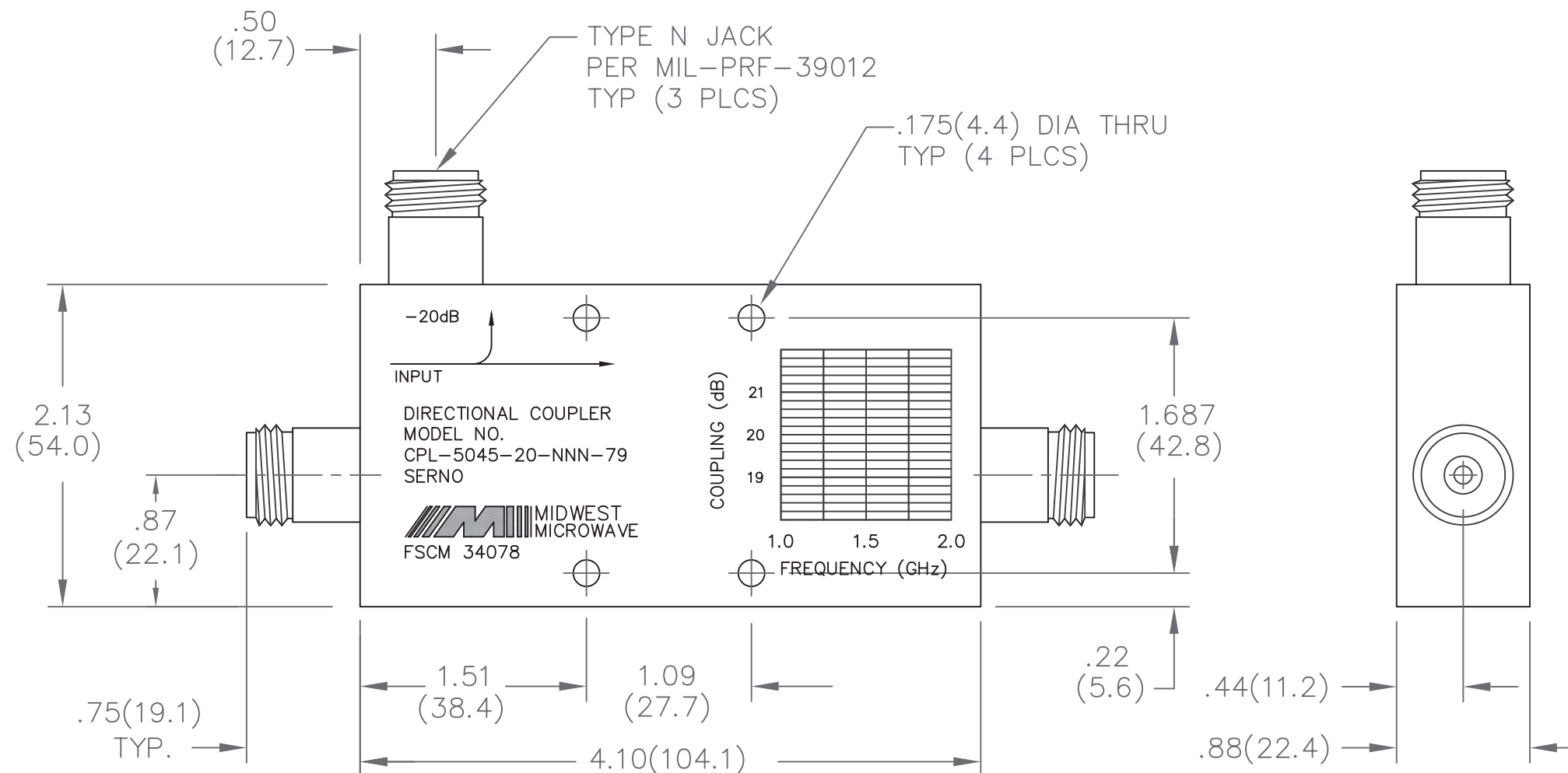
2.0 WEIGHT: 0.45 Kg. (1.0 lbs)

3.0 FINISHING:

- 3.1 GREY OVER MIL-E-15090 TYPE II, CLASS 2
OVER MIL-C-5541 CLASS 3A
MEETS MIL-F-14072
MEETS MIL-E-5400

3.2 MARK UNIT AS SHOWN

4.0 DIMENSIONS IN PARENTHESIS ARE IN MILLIMETERS.



NOTICE: The information contained in this drawing is proprietary and must not be used without the permission of Cinch Connectivity Solutions.

UNLESS OTHERWISE NOTED DIMENSIONS ARE IN INCHES AND TOLERANCES ARE:
 3 PLACE DECIMALS $\pm .005$
 2 PLACE DECIMALS $\pm .02$
 FRACTIONS $\pm 1/64$
 PARALLELITY: T.I.R. _____
 FLATNESS: T.I.R. _____
 CONCENTRICITY: T.I.R. _____
 ANGLES AND PERPENDICULARITY: $\pm 1'$

CAGE CODE
34078 **MIDWEST MICROWAVE**



TITLE
DIRECTIONAL COUPLER
OUTLINE DRAWING

DRAWN/DATE
A.BEATTY
10/29/93
CHECKED/DATE

ENG./DATE
J.O'NEIL
10/14/94
APPROVED/DATE

DRAWING NUMBER
CPL-5045-20-NNN-79-01

REV.
B

SCALE: 1=1 SHEET 1 of 1

DATE	10/17/94	11/18/10
DESCRIPTION	RELEASED	ECO 22877
REV.	A	B