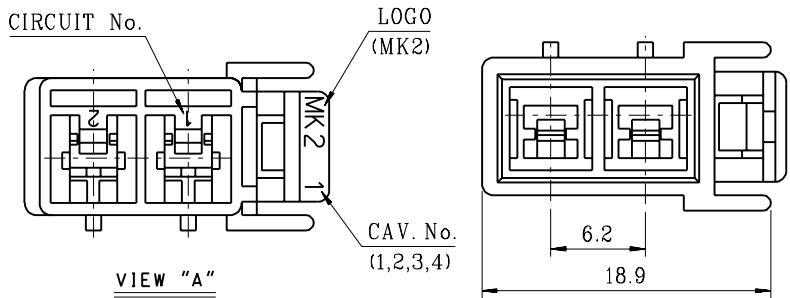
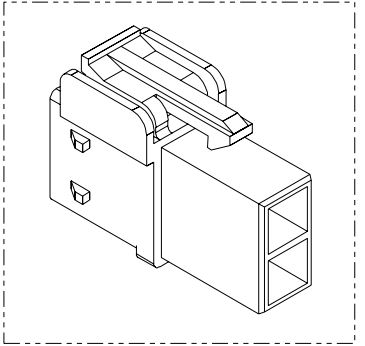
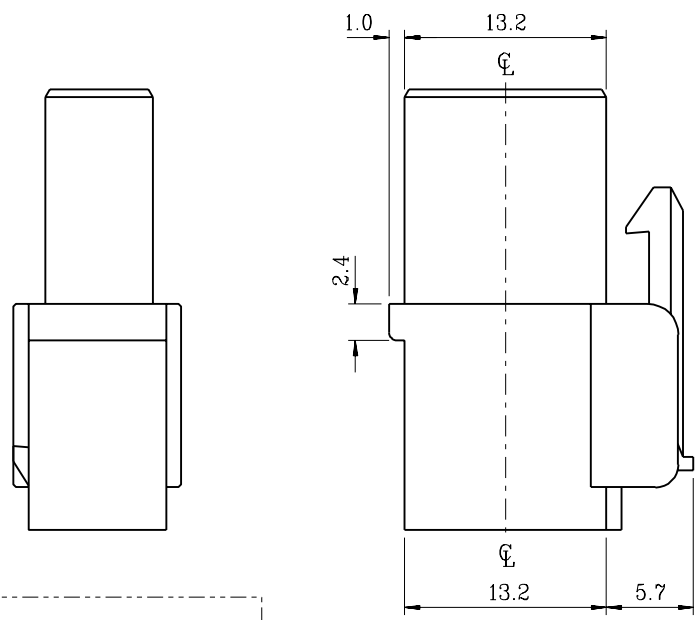


DWG. NO. SD 35525-001
 PROJECT NO. SIMILAR ITEM
 DO NOT SCALE DRAWING DIMENSION IN METRIC



- NOTES
1. MATERIAL : POLYESTER(P.B.T), UL94V-0
 2. COLOR : 35525-0200 (NATURAL)
35525-0204 (BLUE)
 3. MATED HOUSING : 35524-092*
 4. APPLICABLE TERMINAL : 35745-0*10
 5. MATED T.P.A : 35150-029*



"A"

REVISED	ECN NO. KOR2002-0130 DRWN: C.B.CHIN 02/05/18 CHK: M.Y.YANG APPR: C.W.LEE	DESCRIPTION	QUALITY SYMBOLS	GENERAL TOLERANCES: (UNLESS SPECIFIED)		SCALE	DESIGN UNITS	THIRD ANGLE PROJECTION	DIMENSIONS:	SHT	REV
			MAJOR : 0	mm	INCH	3:1	<input checked="" type="checkbox"/> mm <input type="checkbox"/> INCH	<input type="checkbox"/> mm <input type="checkbox"/> INCH <input checked="" type="checkbox"/> mm ONLY	REVISION ON CAD ONLY		
A2	REV	DRAFT WHERE APPLICABLE MUST REMAIN WITHIN DIMENSIONS	CRITICAL C : 0	4 PLACES	±0.	±.	DRAWN BY & DATE J.S.KANG 97.06.20	TITLE: .070 MULTI CONN' FEMALE HOUSING-2P			
				3 PLACES	±0.	±.	CHECKED BY & DATE B.K.CHOI 97.06.20				
				2 PLACES	±0.3	±.	APPROVED BY & DATE C.W.LEE 97.06.20	MOLEX INCORPORATED			
				1 PLACE	±0.3	±.	ANGULAR: ± °	CAD FILENAME	MATERIAL NO.	DRAWING NO.	SHEET NO.
							S35525.DGN	SEE NOTES	SD-35525-001	1 OF 1	
							THIS DRAWING CONTAINS INFORMATION THAT IS PROPRIETARY TO MOLEX INCORPORATED AND SHOULD NOT BE USED WITHOUT WRITTEN PERMISSION.				
										SIZE B	