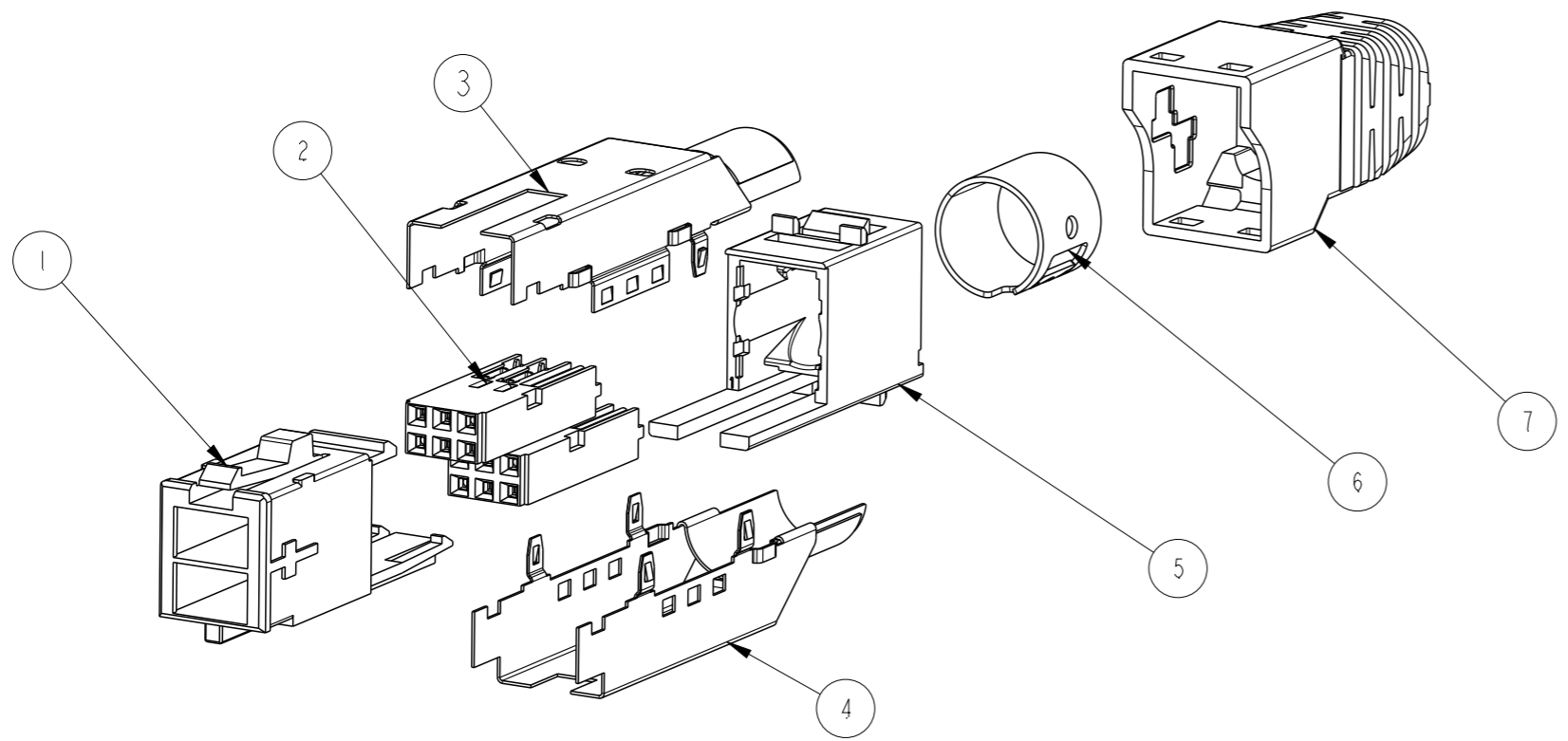


PART NUMBER  
SEE TABLE



BOM OF 10138200-101LF			
INDEX NO:	DESCRIPTION	MATERIAL	QTY
1	CABLE CONNECTOR HOUSING - FRONT	PBT, COLOUR BLACK	1
2	TERMINAL BLOCK ASSEMBLY	COPPER ALLOY+LCP	2
3	TOP SHIELD	COPPER ALLOY	1
4	BOTTOM SHIELD	COPPER ALLOY	1
5	CABLE CONNECTOR HOUSING - REAR	TRANSPARENT PC	1
6	SPRING BUSH	SS	1
7	GROMMET	SILICON	1

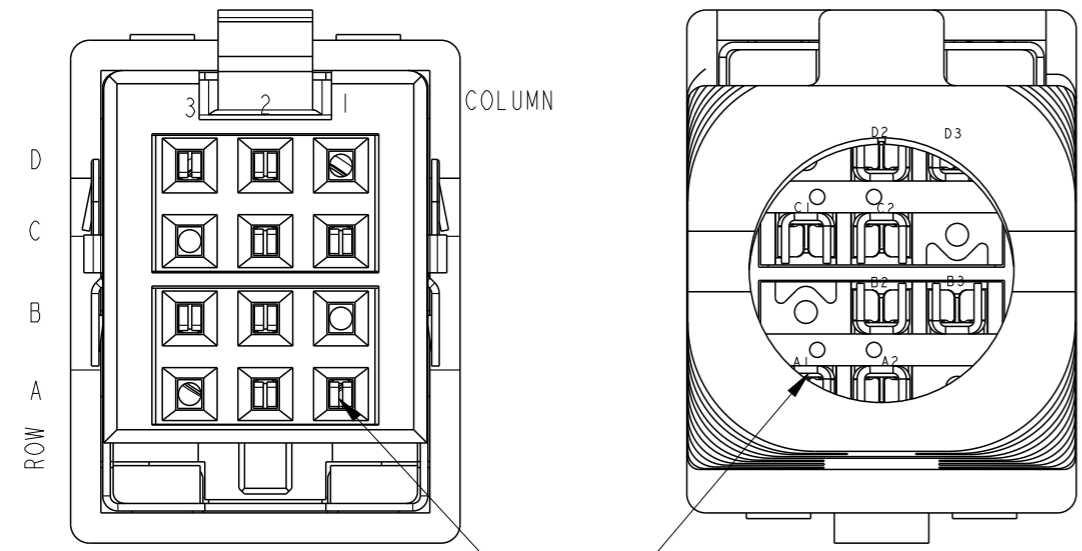
CONTACT LOADING PATTERN						
SL.NO	AFCI P/N	DESCRIPTION	ROW	COLUMN 3	COLUMN 2	COLUMN 1
1	10138200-101LF	SHIELDED CABLE CONNECTOR-BOLTRACK WITH 8 SIGNAL CONTACTS	D	X	X	-
			C	-	X	X
			B	X	X	-
			A	-	X	X

"X" INDICATES CONTACT LOADING

WIRING ROUTING CHART					
SL.NO	AFCI P/N	ROW	COLUMN 3	COLUMN 2	COLUMN 1
1	10138200-101LF	D	BROWN	WHITE	-
		C	-	GREEN	WHITE
		B	ORANGE	WHITE	-
		A	-	BLUE	WHITE

FRONT VIEW

REAR VIEW-EXCLUDING SHIELDS AND REAR HOUSING

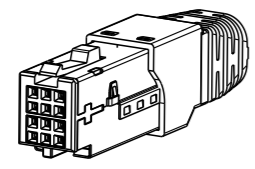


NOTE:

1. PRODUCT SPECIFICATION: GS-XX-XXXX
2. APPLICATION SPECIFICATION: GS-XX-XXXX
3. PACKAGING SPECIFICATION: GS-XX-XXXX
4. PERFORMANCE LEVEL: TELECORDIA CO
5. FLAMMABILITY CLASSIFICATION: UL94 V-0
6. RoHS COMPLIANT
7. WIRE SIZE:  
SIGNAL: AWG24/AWG26
8. WIRE INSULATION DIAMETER: MAX 1 MM

Amphenol FCI

© 2016 AFCI



spec ref	-	dr	Jibin John	2016/10/28	projection	MM	size	A3	scale	1:1
tolerance std	ISO 406 ISO 1101	eng	Jibin John	2017/04/29			ecn no	ELX-I-25708-1	rel level	Released
TOLERANCES UNLESS OTHERWISE SPECIFIED		chr	-	product family						
surface	linear	appr	K-Paul Biju	2017/05/02			dwg no	10138200	rev	B
ISO 1302	angular			cat. no.	-	Product - Customer Drw		sheet 1 of 1		