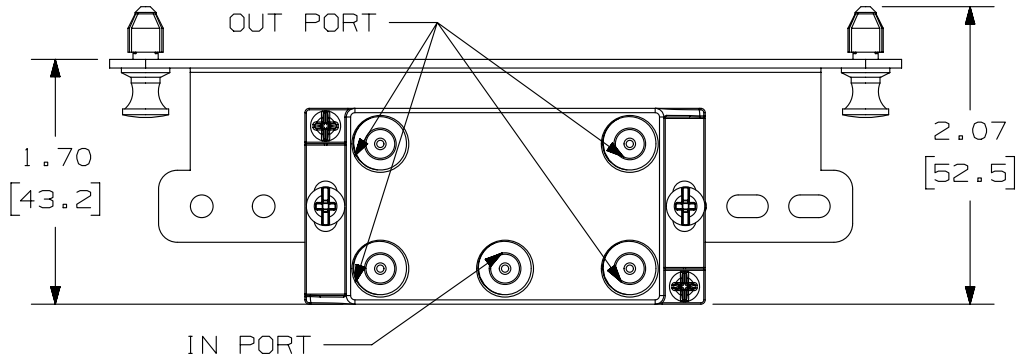


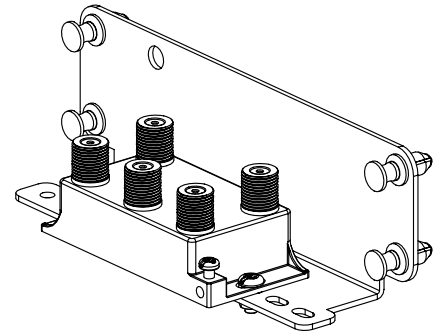
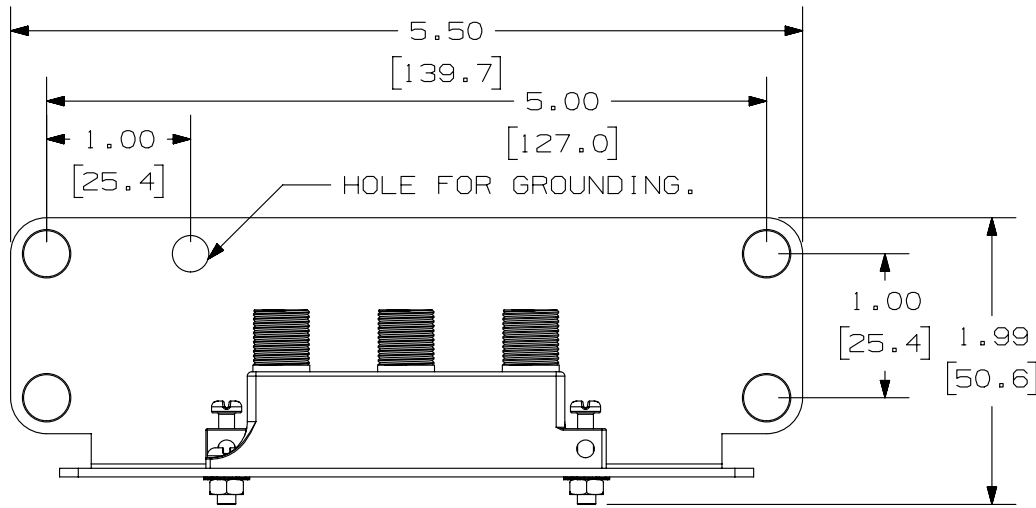
THIS COPY IS PROVIDED ON A RESTRICTED BASIS AND IS NOT TO BE USED IN ANY WAY DETRIMENTAL TO THE INTERESTS OF PANDUIT CORP.



PANDUIT P/N	WEIGHT
MS4S1G	.43 LB/EACH PC (193.6 g/EACH PC)

NOTES:

- SEE CURRENT CATALOG FOR ADDITIONAL PART NUMBER SUFFIXES TO INDICATE COLOR AND OR PACKAGE QUANTITY.
- SEE CATALOG FOR COMPLETE LIST OF PARTS APPLICABLE FOR USE WITH THIS PART.
- DIMENSIONS IN [] ARE IN METRIC.
- PART INCLUDES:
1- 1X4 VIDEO SPLITTER MODULE
1- GROUNDING SCREW



PART NUMBER		MS4S1G	
TITLE			
MEDIA DISTRIBUTION 1X4 CATV PASSIVE VIDEO SPLITTER			
CUSTOMER DRAWING			
ITEM REVISION NAME		M02695AL/01	
DATASET FILE NAME		M02695AL_DC106/01B	
UNLESS OTHERWISE SPECIFIED, DIMENSIONAL TOLERANCES ARE: IN [mm]		MATERIAL:	
.x ± .xxx ± .010 [.3]		BRACKET - 16 GAGE C.R.S.	
.xx ± .03 [.8] ANGLES ±		VIDEO SPLITTER - ZINC PLATED STEEL	
THIRD ANGLE PROJECTION		DRAWING NUMBER:	
02695-106		02695-106	
DRAWN BY	DATE	CHK	SCALE
JSP	11-19-07	REFR	NONE
SHT 1 OF 1		A	

REV	DATE	BY	CHK	APR	DESCRIPTION	ECN
1	5-02-14	MDJR	REFR	MMR	A. UPDATED TITLE BLOCK	02695-106
R	11-19-07	JSP	REFR	REFR	RELEASED TO PRODUCTION	02695-106

D10100DA/14