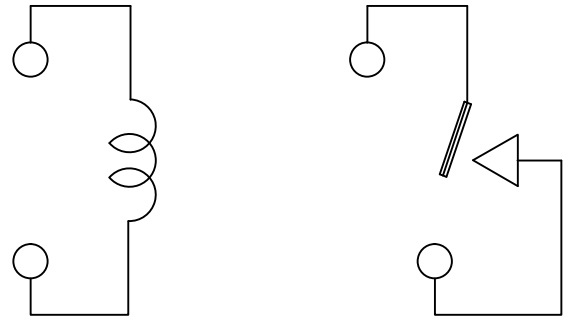
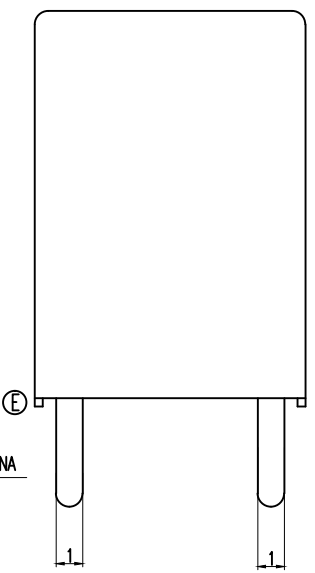
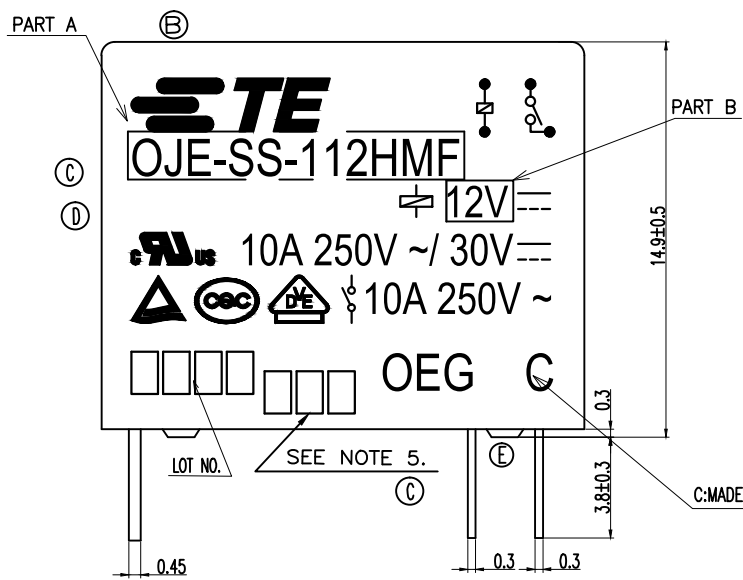
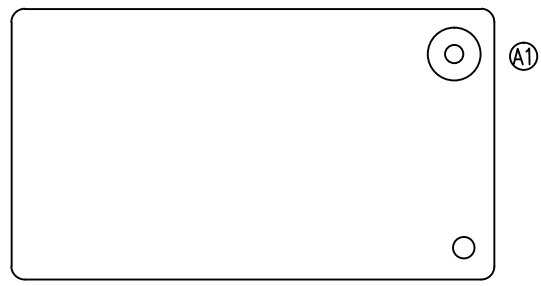


THIS DRAWING IS UNPUBLISHED. RELEASED FOR PUBLICATION

© COPYRIGHT By - TE CONNECTIVITY ALL RIGHTS RESERVED.

LOC		DIST		REVISIONS					
HB		-		P	LTR	DESCRIPTION	DATE	DWN	APVD
				E		REMOVED THE RIB ON THE BASE TO CASE ECO-15-011310	04DEC2015	HYS	CHL



CONNECTION FIGURE

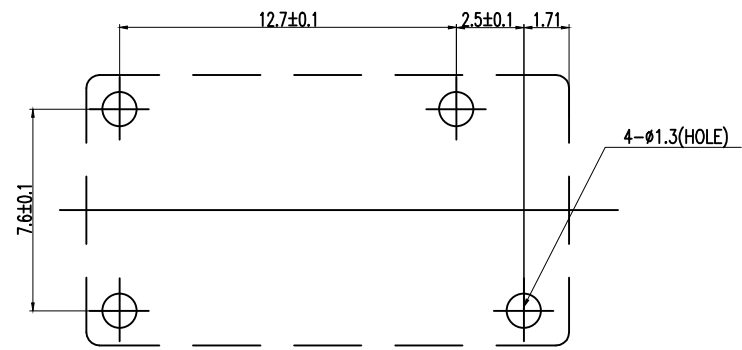


FIGURE FOR PRINTED CIRCUIT BOARD PROCESSING (BOTTOM VIEW)

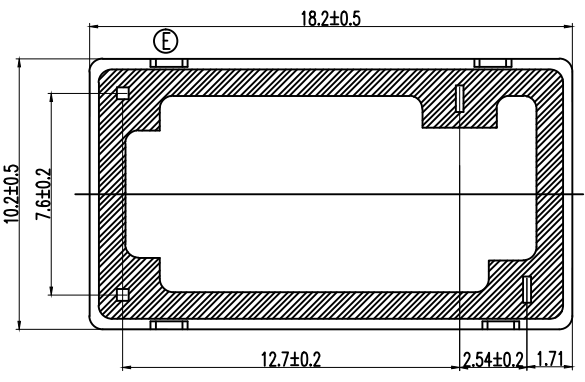


Diagram dimension	Tolerance
0.99mm max.	±0.1mm
1 - 2.99mm	±0.2mm
3mm min.	±0.3mm

THIS DRAWING IS A CONTROLLED DOCUMENT.

DIMENSIONS:	TOLERANCES UNLESS OTHERWISE SPECIFIED:
mm	0 PLC ± -
	1 PLC ± -
	2 PLC ± -
	3 PLC ± -
	4 PLC ± -
	ANGLES ± -

MATERIAL	FINISH

DWN	FU,BO
CHK	XIAONING.ZHANG
APVD	CH.HSU
PRODUCT SPEC	
APPLICATION SPEC	
WEIGHT	
CUSTOMER DRAWING	

TE Connectivity			
NAME			
OJE-HMF TYPE RELAY CUSTOMER DRAWING			
SIZE	CAGE CODE	DRAWING NO	RESTRICTED TO
A3	00779	1721923	-
SCALE		SHEET	REV
5:1		1 OF 2	E

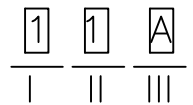
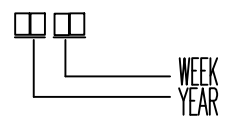
THIS DRAWING IS UNPUBLISHED. RELEASED FOR PUBLICATION

© COPYRIGHT By - TE CONNECTIVITY ALL RIGHTS RESERVED.

LOC	DIST	REVISIONS					
HB	-	P	LTR	DESCRIPTION	DATE	DWN	APVD
		-		SEE SHEET 1	-	-	-

①	1721923-3	OJE-SS-148HMF	48V	OJE-SS-148HMF	f
	6-1419128-6	OJE-SS-124HMF	24V	OJE-SS-124HMF	e
	4-1419128-4	OJE-SS-112HMF	12V	OJE-SS-112HMF	d
	3-1419128-6	OJE-SS-109HMF	9V	OJE-SS-109HMF	c
	1721923-2	OJE-SS-106HMF	6V	OJE-SS-106HMF	b
	1721923-1	OJE-SS-105HMF	5V	OJE-SS-105HMF	a
	TE PART NO	TE TYPE NAME	PART B	PART A	ITEM

② NOTES:
 1.LOT NO. SYSTEM AS FOLLOWING: ⑤ 5.ADD LOT NO. SYSTEM AS FOLLOWING;



I, DIGITS FOR DAY OF THE WEEK
 1...MONDAY IN THIS WEEK;
 2...TUESDAY IN THIS WEEK;

 7...SUNDAY IN THIS WEEK
 II, DIGITS FOR SHIFT OF THE DAY
 1...DAY SHIFT IN THIS DAY;
 2...NIGHT SHIFT IN THIS DAY;
 III, ONE CHARACTER DISTINGUISH THE LINE
 IDENTITY,
 SUCH AS: A,B.....Z

- ③ 2.TERMINAL DIMENSION IS BEFORE SOLDER DIP;
- ③ 3.FOR THE TIN-PLATING OF THE PINS:
 +0.1mm FOR WIDTH, THICKNESS AND DIAMETER.
 +0.5mm FOR LENGTH.
- ④ ④ 4.MARKING FROM INK TO LASER AND USING WELDING CONTACT

		EPOXY RESIN	SEAL (BASE & BOBBIN)	15
		MW79	MAGNETIC WIRE	14
94V-0		P.B.T	CASE	13
94V-0		P.B.T	BASE	12
94VHB		NYRON	BOBBIN	11
	SOLDER DIP	C.P WIRE	COIL TERMINAL	10
94V-0		P.P.S	CARD	9
		Ag ALLOY	MOVABLE CONTACT	8
		Ag	NO.CONTACT	7
		STEEL	HINGE SPRING	6
	SOLDER DIP	CU ALLOY	NO.TERMINAL	5
	SOLDER DIP	CU ALLOY	MOVABLE SPRING	4
	NIP	STEEL	CORE	3
	NIP	STEEL	ARMATURE	2
	NIP	STEEL	YOKE	1
INCOMBUSTIBILITY	TREATMENT	MATERIAL	DESCRIPTION	ITEM

THIS DRAWING IS A CONTROLLED DOCUMENT.		DWN	FU,BO	TE Connectivity	
DIMENSIONS: mm		CHK	XIAONING.ZHANG	OJE-HMF TYPE RELAY CUSTOMER DRAWING	
TOLERANCES UNLESS OTHERWISE SPECIFIED: 0 PLC ± - 1 PLC ± - 2 PLC ± - 3 PLC ± - 4 PLC ± - ANGLES ± -		APVD	CH.HSU	RESTRICTED TO	
MATERIAL		PRODUCT SPEC	-	SIZE	A3
FINISH		APPLICATION SPEC	-	CAGE CODE	00779
		WEIGHT	-	DRAWING NO	1721923
		CUSTOMER DRAWING		SCALE	5:1
				SHEET	2 OF 2
				REV	E