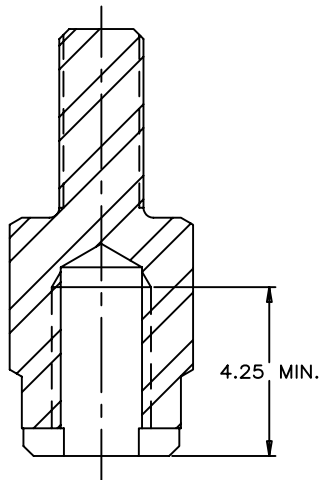
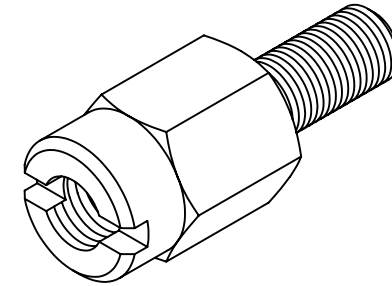


| REVISIONS | | | | |
|-----------|------|--------------|--------------|--------|
| SYM | ZONE | ECN, ERN NO. | DATE | APPRD. |
| C | | PROPOSAL | Apr 07, 2008 | A.G. |
| D | | PROPOSAL | Jun 26, 2008 | A.G. |

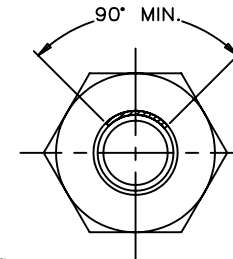
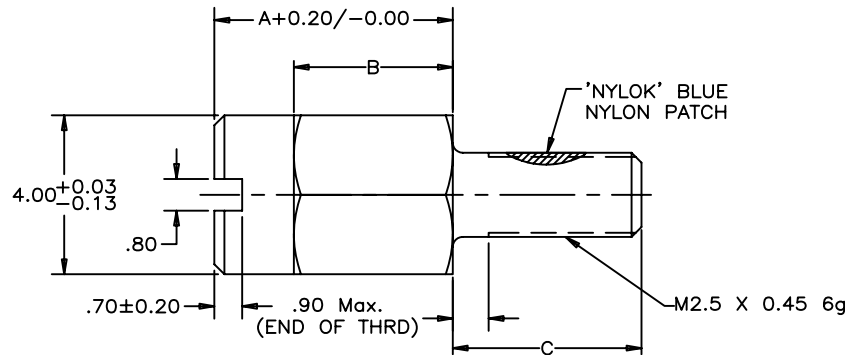
THIS IS A CAD DRAWING. DO NOT MANUALLY REVISE.



SECTION A-A



ISOMETRIC VIEW



| PART NUMBER | DESCRIPTION | A | B | C |
|-------------|---|------|------|------|
| U65-404-40P | REGULAR SCREW | 6.00 | 4.00 | 4.75 |
| U65-404-41P | SELF-LOCKING SCREW (WITH 'NYLOK' BLUE NYLON PATCH) | 6.00 | 4.00 | 4.75 |
| U65-404-42P | LONG THREAD SCREW | 5.40 | 3.40 | 5.35 |

NOTES:

1. MATERIAL: STEEL AISI 12L14.
2. PLATING: 2.54 μ m MIN. NICKEL PLATING.
3. PART TO BE FREE FROM BURRS.
4. PART TO BE BULK PACKED.
5. GAGE FOR SCREW INSPECTION TO MEET REQUIREMENTS OF ASME B1.3M SPECIFICATION.

| | | | | |
|-------------------------------|------------|-------------|---------------|---|
| DRAWN | L.DENG | DATE | 2004/09/22 | Amphenol Canada Corp. TITLE JACK SCREW INFINITY RECEPTACLE SCREW LOCK TYPE |
| DESIGNED | L.DENG | DATE | 2004/09/22 | |
| CHECKED | J.SI | DATE | 2004/09/22 | |
| I. E. APPRD. | | | | |
| DWG. APPRD. | | | | |
| ENG. REL. NO. | | DWG | DRAWING NO. | REV. |
| REF. | EAR# 12538 | A | P-U65-404-4XP | D |
| DIMENSIONS ARE IN INCHES [mm] | | SCALE | 2/1 | WT. _____ |
| CODE ID. NO. | | SURF. _____ | | SHEET 1 OF 1 |
| 03554 | | | | |

THIS DOCUMENT CONTAINS PROPRIETARY INFORMATION AND SUCH INFORMATION MAY NOT BE DISCLOSED TO OTHERS FOR ANY PURPOSE OR USED FOR MANUFACTURING PURPOSES WITHOUT WRITTEN PERMISSION FROM AMPHENOL CANADA CORP.