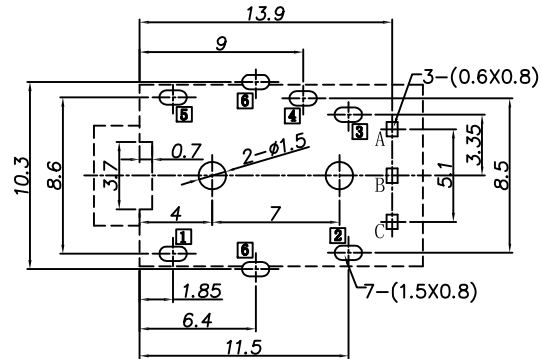
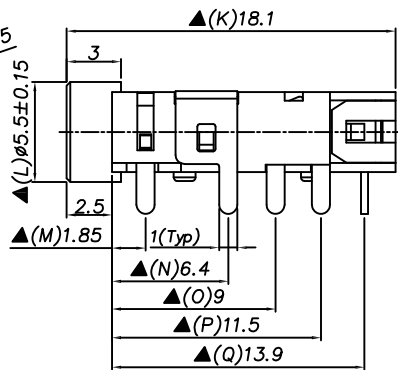
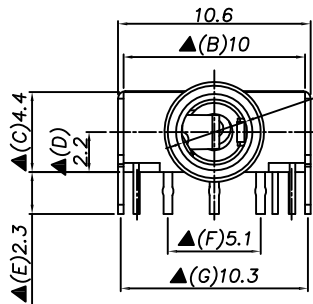
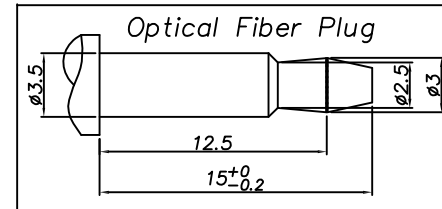
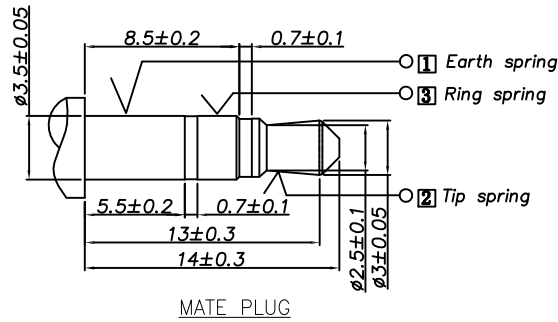
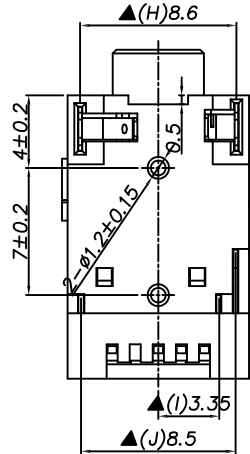


APPROVED: _____
 DATE: _____ TITLE: _____

Rev	AWO #	Description	Date	Appr
-		RELEASED	11/16/18	



RECOMMENDED PCB LAYOUT
(BOTTOM VIEW)



Model No.	ASJ-199-G-OF-HT	ASJ-199-GT-OF-HT	ASJ-199-GR-OF-HT
Schematic			

SPECIFICATIONS:

Material:
 Housing: Hi-Temp Thermoplastic, reated UL94V-0, Color: Black
 Contacts: Phosphor Bronze
 Shell: Brass, Nickel plated
 Plating:
 Gold flash over Nickel underplate overall
 Electrical:
 Rating: 30VDC, 0.5A
 Contact Resistance: 30 mohm max.
 Insulation Resistane: 100 Mohm min. @ 500 VDC
 Dielectric withstanding voltage: 500 VAC
 Temperature Rating:
 Operating temperature: -20°C to +70°C
 Environmental:
 Lead free, RoHS compliant.



UNLESS OTHERWISE SPECIFIED ALL DIMENSIONS ARE MILLIMETERS TOLERANCES: EXCEPT AS NOTED MM ANGLE ± 0.30 ± 2°		ADAM TECH INTERCONNECTS 909 Rahway Avenue, Union, NJ 07083 Phone: 908-687-5000 Fax: 908-687-5710	
APPROVALS		DATE	
DRAWN	HR	11/16/18	
CHECKED	AC1	11/16/18	
APPROVED			
TITLE 3.5MM STEREO PHONE JACK, R/A, OPTICAL FIBER			
SIZE X	PART NO. ASJ-199-XX-OF-HT	REV. -	
REF: S00002C	SCALE: NTS	SHEET 1 OF 1	