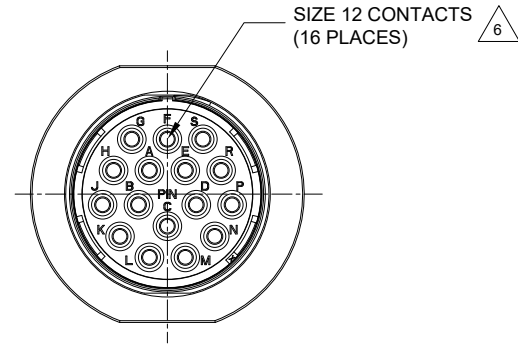
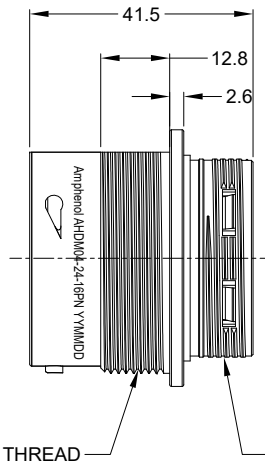
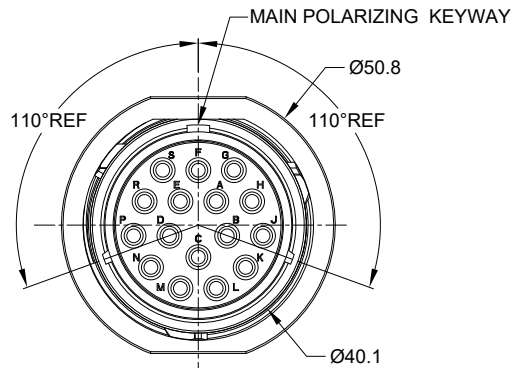


REVISIONS					
REV	ECO	DESCRIPTION	DATE	BY	APPR
A1	--	RELEASE NEW DRAWING	26AUG20	SULLEN	TOMMY
A2	--	REVISED PART DESCRIPTION	10NOV20	JHEAD	DH



NOTES: UNLESS OTHERWISE SPECIFIED

1. MATERIAL:

SHELL: ZINC ALLOY, NICKEL PLATED
 COUPLING RING: ALUMINUM ALLOY, NICKEL PLATED
 INSERT AND RETAINING RING: THERMOPLASTIC
 SEAL: SILICONE RUBBER

2. MODIFICATIONS: THREADED ADAPTER;
 NORMAL DIA. WIRE SEAL.

3. SPECIFICATIONS:

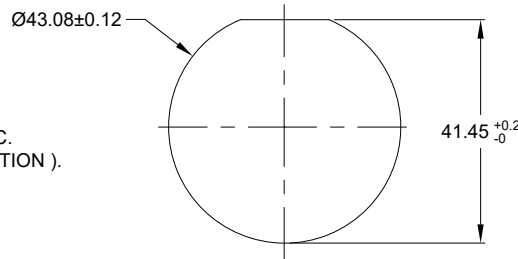
- 3.1 OPERATING TEMPERATURE: -55°C TO +125°C.
- 3.2 DIELECTRIC WITHSTANDING VOLTAGE: LESS THAN 2 MILLIAMPS CURRENT LEAKAGE @ 1500 VOLTS AC.
- 3.3 INSULATION RESISTANCE: 1000 MEGOHM MIN @ 25°C.
- 3.4 MOISTURE RESISTANCE: IP67&IP69K (MATED CONDITION).
- 3.5 MATING CYCLE DURABILITY: 100 CYCLES
- 3.6 RoHS COMPLIANT

4. MATING PART: AHDM06-24-16S* (* = SEAL TYPE)

5. ALL DIMENSIONS ARE FOR REFERENCE USE ONLY.

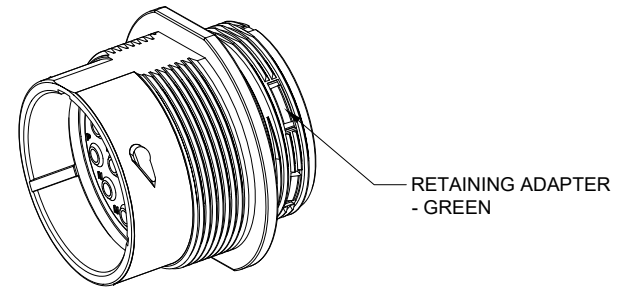
6. CONTACT SIZE AND WIRE RANGE:

CONTACT SIZE	MIN. INSUL O.D.	MAX. INSUL O.D.	TYPICAL WIRE RANGE	CURRENT RATING
12	3.40 mm (.134 in)	4.32 mm (.170 in)	10-14 AWG (6.0-2.0mm ²)	25 AMPS



RECOMMENDED PANEL MOUNTING HOLE

RECOMMENDED PANEL THICKNESS: 1.6 TO 4.7MM



RETAINING ADAPTER - GREEN

QUANTITY	AHDM04-24-16PN	REF: HD34-24-16PN	DESCRIPTION	ITEM																														
<table border="1"> <thead> <tr> <th colspan="2">UNLESS OTHERWISE SPECIFIED</th> <th colspan="2">SIGNATURES</th> <th>DATE</th> </tr> </thead> <tbody> <tr> <td colspan="2">1) All dimensions are in metric (mm).</td> <td>DRAWN:</td> <td>SULLENZHANG</td> <td>26AUG20</td> </tr> <tr> <td colspan="2">2) Tolerances are as follows:</td> <td>CHECKED:</td> <td>ORION LI</td> <td>27AUG20</td> </tr> <tr> <td>1 PL DEC ±0.30</td> <td>Fractions ± 1/64</td> <td>ENGINEER:</td> <td></td> <td></td> </tr> <tr> <td>2 PL DEC ±0.15</td> <td>Angles ± 1°</td> <td>APPROVAL:</td> <td>TOMMY XIE</td> <td>28AUG20</td> </tr> <tr> <td>3 PL DEC ±0.08</td> <td></td> <td>CUSTOMER:</td> <td></td> <td></td> </tr> </tbody> </table>					UNLESS OTHERWISE SPECIFIED		SIGNATURES		DATE	1) All dimensions are in metric (mm).		DRAWN:	SULLENZHANG	26AUG20	2) Tolerances are as follows:		CHECKED:	ORION LI	27AUG20	1 PL DEC ±0.30	Fractions ± 1/64	ENGINEER:			2 PL DEC ±0.15	Angles ± 1°	APPROVAL:	TOMMY XIE	28AUG20	3 PL DEC ±0.08		CUSTOMER:		
UNLESS OTHERWISE SPECIFIED		SIGNATURES		DATE																														
1) All dimensions are in metric (mm).		DRAWN:	SULLENZHANG	26AUG20																														
2) Tolerances are as follows:		CHECKED:	ORION LI	27AUG20																														
1 PL DEC ±0.30	Fractions ± 1/64	ENGINEER:																																
2 PL DEC ±0.15	Angles ± 1°	APPROVAL:	TOMMY XIE	28AUG20																														
3 PL DEC ±0.08		CUSTOMER:																																
<table border="1"> <thead> <tr> <th colspan="4">MATERIALS LIST</th> </tr> </thead> <tbody> <tr> <td colspan="4" style="text-align: center;">Amphenol</td> </tr> <tr> <td colspan="4" style="text-align: center;">Sine Systems - www.amphenol-sine.com 44724 Morley Drive Clinton Township, MI 48036</td> </tr> <tr> <td colspan="4" style="text-align: center;">RECEPTACLE, 24 SZ, 16 PIN, STD ARRANGEMENT, NORM. SEAL, DURAMATE AHDM</td> </tr> <tr> <td>SIZE:</td> <td>B C-</td> <td>DWG NO:</td> <td>AHDM04-24-16PN</td> </tr> <tr> <td>SCALE:</td> <td>NONE</td> <td>REVISION:</td> <td>A2</td> </tr> </tbody> </table>					MATERIALS LIST				Amphenol				Sine Systems - www.amphenol-sine.com 44724 Morley Drive Clinton Township, MI 48036				RECEPTACLE, 24 SZ, 16 PIN, STD ARRANGEMENT, NORM. SEAL, DURAMATE AHDM				SIZE:	B C-	DWG NO:	AHDM04-24-16PN	SCALE:	NONE	REVISION:	A2						
MATERIALS LIST																																		
Amphenol																																		
Sine Systems - www.amphenol-sine.com 44724 Morley Drive Clinton Township, MI 48036																																		
RECEPTACLE, 24 SZ, 16 PIN, STD ARRANGEMENT, NORM. SEAL, DURAMATE AHDM																																		
SIZE:	B C-	DWG NO:	AHDM04-24-16PN																															
SCALE:	NONE	REVISION:	A2																															
<table border="1"> <thead> <tr> <th colspan="2">NEXT ASSY:</th> <th colspan="2">SHEET</th> <th>OF</th> </tr> </thead> <tbody> <tr> <td colspan="2"></td> <td colspan="2">1</td> <td>1</td> </tr> </tbody> </table>					NEXT ASSY:		SHEET		OF			1		1																				
NEXT ASSY:		SHEET		OF																														
		1		1																														

TITLE: RECEPTACLE, 24 SZ, 16 PIN, STD ARRANGEMENT, NORM. SEAL, DURAMATE SERIES

DWG NO: AHDM04-24-16PN

REV: A2



SHEET 1

OF 1

ATP Series™ - Contact Size 12 Options



Machined Contacts, Sockets & Pins				
Part Number	Description	Size	AWG	Type
AT60-204-12141-10	Male Contact - Pin, Nickel-plated	12	10-12	Machined
AT62-203-12141-10	Female Contact - Socket, Nickel-plated	12	10-12	Machined
AT60-220-1231	Male Contact - Pin, Gold-plated	12	12-14	Machined
AT62-210-1231	Female Contact - Socket, Gold-plated	12	12-14	Machined
AT60-204-12141	Male Contact - Pin, Nickel-plated	12	12-14	Machined
AT62-203-12141	Female Contact - Socket, Nickel-plated	12	12-14	Machined

DiagnosticGrade™ Machined Contacts, Sockets & Pins				
• Smaller AWG for Diagnostic Applications • Gold-plated • Increased Mating Cycles • Cost-effective				
Part Number	Description	Size	AWG	Type
65-54749	Male Contact - DiagnosticGrade™, Pin, Gold-plated	12	20	Machined
AT62-210-1231-1820	Female Contact - DiagnosticGrade™, Socket, Gold-plated	12	20	Machined

Tooling - Machined Contacts		
Part	Part Number	Description
	CA-5D12	Universal Hand Crimp Tool, Size 12/16/20 (Machined contacts only)
	CA-5E12	Pneumatic Crimp Tool, Size 12/16/20 (Machined contacts only)

Contact Removal Tools		
Part	Part Number	Description
	ATRT-100	Used for removal of contacts for A Series™ products
	AT11-337-1205	Contact Removal Tool, Plastic, Size 12
	A114017	Sealing Plug, Size 12, White

Stamped & Formed Contacts, Sockets & Pins				
Part Number	Description	Size	AWG	Type
AT60-12-0244	Male Contact - Pin, Gold-plated	12	10-12	Stamped & Formed
AT62-12-0244	Female Contact - Socket, Gold-plated	12	10-12	Stamped & Formed
AT60-12-0222	Male Contact - Pin, Nickel-plated	12	10-12	Stamped & Formed
AT62-12-0222	Female Contact - Socket, Nickel-plated	12	10-12	Stamped & Formed
AT60-12-0144	Male Contact - Pin, Gold-plated	12	12-14	Stamped & Formed
AT62-12-0144	Female Contact - Socket, Gold-plated	12	12-14	Stamped & Formed
AT60-12-0166	Male Contact - Pin, Nickel-plated	12	12-14	Stamped & Formed
AT62-12-0166	Female Contact - Socket, Nickel-plated	12	12-14	Stamped & Formed

Tooling - Stamped & Formed Contacts		
Part	Part Number	Description
	MXF-3973	Crimp Die - Size 12 (S&F contacts only)
	MXF-3985	Crimp Die - Size 12 (S&F contacts only) 10-12AWG -02XX Series
	ATT-12-00	Hand Crimp Tool - Size 12, 12AWG (S&F contacts only)

Amphenol Sine Systems
 44724 Morley Drive
 Clinton Township, MI 48036 USA
www.amphenol-sine.com
 09/2021