

# IS32FL3237

## 36-CHANNEL LED DRIVER

January 2020

### GENERAL DESCRIPTION

IS32FL3237 is an LED driver with 36 constant current channels. Each channel can be pulse width modulated (PWM) by 16 bits for smooth LED brightness control. In addition, each channel has an 8-bit output current control register which allows fine tuning the current for rich RGB color mixing, e.g., a pure white color LED application. The maximum output current of each channel is designed to be 38mA, which can be adjusted by one 8-bit global control register.

Proprietary programmable algorithms are used in IS32FL3237 to minimize audible noise caused by the MLCC decoupling capacitor. All registers can be programmed via a high speed I2C (1MHz).

IS32FL3237 can be turned off with minimum current consumption by either pulling the SDB pin low or by using the software shutdown feature.

IS32FL3237 is available in eTQFP-48 package. It operates from 2.7V to 5.5V over the temperature range of -40°C to +125°C.

### FEATURES

- 2.7V to 5.5V VCC supply
- 1MHz I2C interface, automatic address increment function with readout function
- Four selectable I2C addresses
- Accurate color rendition
  - Selectable 8-bit/10-bit/12-bit/16-bit PWM
  - 8-bit dot correction
  - 8-bit global current adjust
- Open/Short detect function
- 62kHz PWM frequency (8-bit PWM)
- Temperature detect function
- EMI/noise reduction technology
  - Spread spectrum
  - Selectable Phase Delay
  - Selectable 180 degree Clock Phase
- -40°C to +125°C temperature range
- eTQFP-48 package
- AEC-Q100 Qualified

### APPLICATIONS

- Automotive clusters
- Dashboards
- Automotive interiors
- Ambient lighting
- Functional lighting

# IS32FL3237

## TYPICAL APPLICATION CIRCUIT

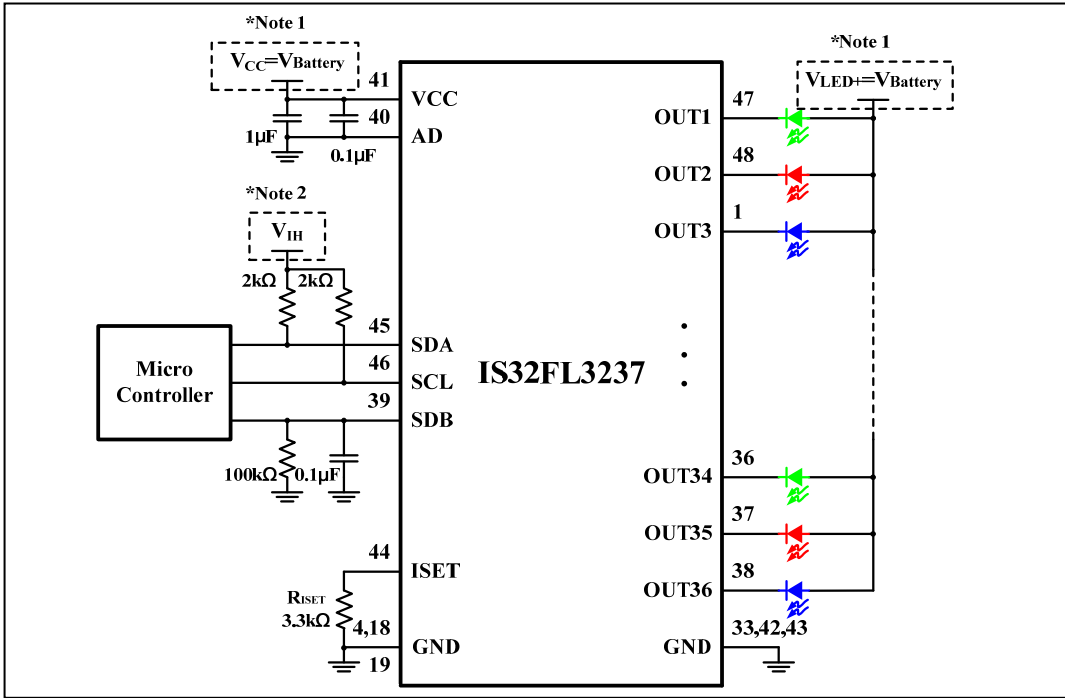


Figure 1 Typical Application Circuit

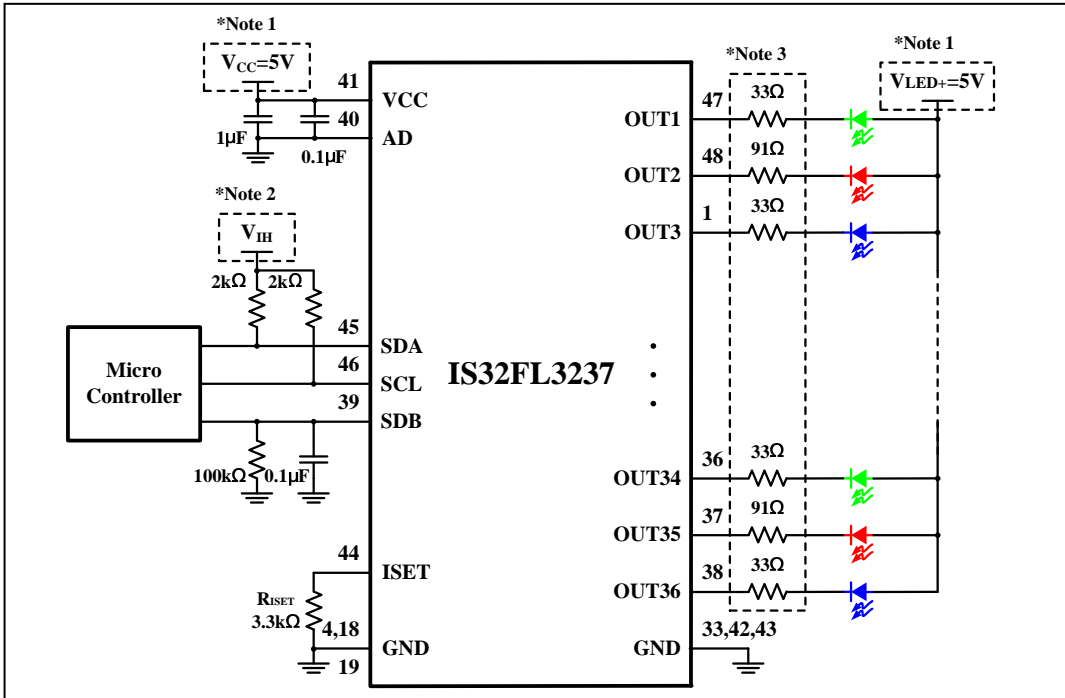
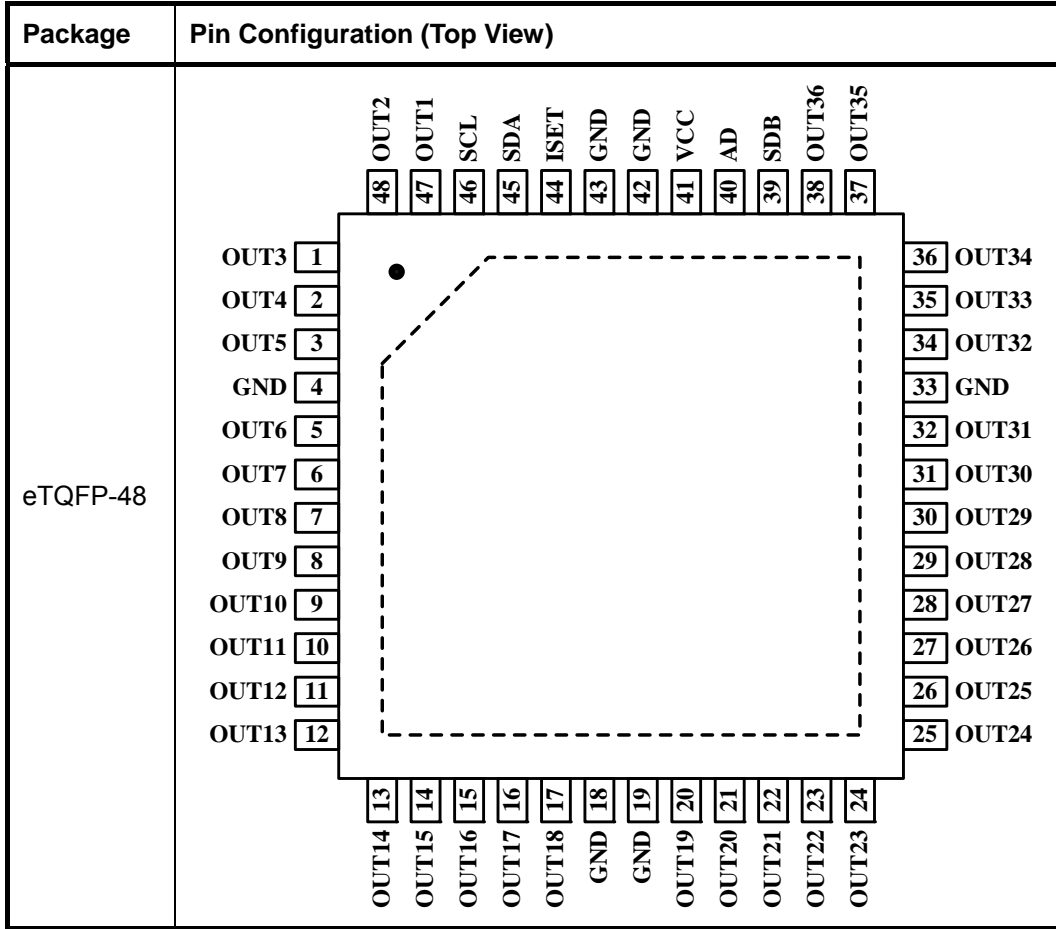


Figure 2 Typical Application Circuit ( $V_{CC}=5V$ )

- Note 1:**  $V_{LED+}$  should be same as VCC voltage.
- Note 2:**  $V_{IH}$  is the high level voltage for IS32FL3237, which is usually same as VCC of Micro Controller, e.g. if VCC of Micro Controller is 3.3V,  $V_{IH}=3.3V$ . If  $V_{CC}=5V$  and  $V_{IH}$  is lower than 2.8V, recommend to add a level shift circuit.
- Note 3:** These optional resistors are for offloading the thermal dissipation ( $P=I^2R$ ) away from the IS32FL3237.
- Note 4:** The output current is set up to 23mA when  $R_{ISET}=3.3k\Omega$ . The maximum global output current can be set by external resistor,  $R_{ISET}$ . Please refer to the detail application information in  $R_{ISET}$  section.
- Note 5:** The IC and LED should be placed far away from any local antenna in order to prevent EMI contamination.

# IS32FL3237

## PIN CONFIGURATION



## PIN DESCRIPTION

| No.              | Pin         | Description                                                                                                                                  |
|------------------|-------------|----------------------------------------------------------------------------------------------------------------------------------------------|
| 1~3,5~17         | OUT3~OUT18  | Output channel 3~18 for LEDs.                                                                                                                |
| 4,18,19,33,42,43 | GND         | Ground.                                                                                                                                      |
| 20~32, 34~38     | OUT19~OUT36 | Output channel 19~36 for LEDs.                                                                                                               |
| 39               | SDB         | Shutdown the chip when pulled low.                                                                                                           |
| 40               | AD          | I2C address setting.                                                                                                                         |
| 41               | VCC         | Power supply.                                                                                                                                |
| 44               | ISET        | Input terminal used to connect an external resistor. This regulates the global output current. When $R_{ISET}=3.3k\Omega$ , $I_{OUT}=23mA$ . |
| 45               | SDA         | I2C serial data.                                                                                                                             |
| 46               | SCL         | I2C serial clock.                                                                                                                            |
| 47,48            | OUT1, OUT2  | Output channel 1, 2 for LEDs.                                                                                                                |
|                  | Thermal Pad | Connect to GND.                                                                                                                              |

# IS32FL3237

## ORDERING INFORMATION

Automotive Range: -40°C to +125°C

| Order Part No.                          | Package              | QTY                   |
|-----------------------------------------|----------------------|-----------------------|
| IS32FL3237-TQLA3-TR<br>IS32FL3237-TQLA3 | eTQFP-48, Lead-free, | 2500/Reel<br>250/Tray |

Copyright © 2020 Lumissil Microsystems. All rights reserved. Lumissil Microsystems reserves the right to make changes to this specification and its products at any time without notice. Lumissil Microsystems assumes no liability arising out of the application or use of any information, products or services described herein. Customers are advised to obtain the latest version of this device specification before relying on any published information and before placing orders for products.

Lumissil Microsystems does not recommend the use of any of its products in life support applications where the failure or malfunction of the product can reasonably be expected to cause failure of the life support system or to significantly affect its safety or effectiveness. Products are not authorized for use in such applications unless Lumissil Microsystems receives written assurance to its satisfaction, that:

- a.) the risk of injury or damage has been minimized;
- b.) the user assume all such risks; and
- c.) potential liability of Lumissil Microsystems is adequately protected under the circumstances

# IS32FL3237

## ABSOLUTE MAXIMUM RATINGS

|                                                                                                                    |                       |
|--------------------------------------------------------------------------------------------------------------------|-----------------------|
| Supply voltage, $V_{CC}$                                                                                           | -0.3V ~ +6.0V         |
| Voltage at SCL, SDA, SDB, OUT1 to OUT36                                                                            | -0.3V ~ $V_{CC}+0.3V$ |
| Maximum junction temperature, $T_{JMAX}$                                                                           | +150°C                |
| Storage temperature range, $T_{STG}$                                                                               | -65°C ~ +150°C        |
| Operating temperature range, $T_A=T_J$                                                                             | -40°C ~ +150°C        |
| Package thermal resistance, junction to ambient (4 layer standard test PCB based on JESD 51-2A), $\theta_{JA}$     | 38.9°C/W              |
| Package thermal resistance, junction to thermal PAD (4 layer standard test PCB based on JESD 51-2A), $\theta_{JP}$ | 7.57°C/W              |
| ESD (HBM)                                                                                                          | ±2kV                  |
| ESD (CDM)                                                                                                          | ±750V                 |

**Note 6:** Stresses beyond those listed under "Absolute Maximum Ratings" may cause permanent damage to the device. These are stress ratings only and functional operation of the device at these or any other condition beyond those indicated in the operational sections of the specifications is not implied. Exposure to absolute maximum rating conditions for extended periods may affect device reliability.

## ELECTRICAL CHARACTERISTICS

Typical values are  $T_A = 25^\circ\text{C}$ ,  $V_{CC} = 5V$ .

| Symbol           | Parameter                       | Condition                                                                                                        | Min.  | Typ. | Max.  | Unit    |
|------------------|---------------------------------|------------------------------------------------------------------------------------------------------------------|-------|------|-------|---------|
| $V_{CC}$         | Supply voltage                  |                                                                                                                  | 2.7   |      | 5.5   | V       |
| $I_{OUT}$        | Maximum output current          | $V_{OUT} = 0.8V$ , $R_{ISET} = 2k\Omega$ , $GCC = 0xFF$ ,<br>Scaling = $0xFF$ (Note 7)                           |       | 38   |       | mA      |
|                  | Output current                  | $V_{OUT} = 0.6V$ , $R_{ISET} = 3.3k\Omega$ , $GCC = 0xFF$ ,<br>Scaling = $0xFF$                                  | 21.39 | 23   | 24.61 | mA      |
| $\Delta I_{MAT}$ | $I_{OUT}$ mismatch in chip      | $R_{ISET} = 3.3k\Omega$ , $GCC = 0xFF$ ,<br>Scaling = $0xFF$ , $I_{OUT} = 23mA$                                  | -7    |      | 7     | %       |
| $\Delta I_{OUT}$ | $I_{OUT}$ mismatch between chip | $R_{ISET} = 3.3k\Omega$ , $GCC = 0xFF$ ,<br>Scaling = $0xFF$ , $I_{OUT} = 23mA$                                  | -7    |      | 7     | %       |
| $V_{HR}$         | Headroom voltage                | $R_{ISET} = 3.3k\Omega$ , $GCC = 0xFF$ ,<br>Scaling = $0xFF$ , $I_{OUT} = 23mA$                                  |       | 0.3  | 0.5   | V       |
| $I_{CC}$         | Quiescent power supply current  | $R_{ISET} = 3.3k\Omega$ , $GCC = 0xFF$ , $Scaling = 0xFF$ ,<br>$I_{OUT} = 23mA$ , $PWM = 0x00$ , $V_{CC} = 3.6V$ |       | 4.7  | 7     | mA      |
|                  |                                 | $R_{ISET} = 3.3k\Omega$ , $GCC = 0xFF$ , $Scaling = 0xFF$ ,<br>$I_{OUT} = 23mA$ , $PWM = 0x00$ , $V_{CC} = 5V$   |       | 5.7  | 8     | mA      |
| $I_{SD}$         | Shutdown current                | $R_{ISET} = 3.3k\Omega$ , $V_{SDB} = 0V$ or software<br>shutdown, $V_{CC} = 3.6V$                                |       | 0.8  | 1.6   | $\mu A$ |
|                  |                                 | $R_{ISET} = 3.3k\Omega$ , $V_{SDB} = 0V$ or software<br>shutdown, $V_{CC} = 5V$                                  |       | 1.8  | 3     | $\mu A$ |
| $I_{OZ}$         | Output leakage current          | $V_{SDB} = 0V$ or software shutdown,<br>$V_{OUT} = 5.5V$                                                         |       |      | 0.1   | $\mu A$ |
| $f_{OUT}$        | PWM frequency of output         | $OSC = 8MHz$ , $PWM$ Resolution = 8-bit                                                                          |       | 31.5 |       | kHz     |
| $T_{SD}$         | Thermal shutdown                | (Note 8)                                                                                                         |       | 165  |       | °C      |
| $T_{SD\_HY}$     | Thermal shutdown hysteresis     | (Note 8)                                                                                                         |       | 20   |       | °C      |
| $V_{OD}$         | OUTx pin open detect threshold  | $R_{ISET} = 6.8k\Omega$ , $I_{OUT} \geq 0.1mA$ , measured at<br>OUTx                                             | 0.08  | 0.18 | 0.26  | V       |
| $V_{SD}$         | LED short detect threshold      | $R_{ISET} = 6.8k\Omega$ , $I_{OUT} \geq 0.1mA$ , measured at<br>( $V_{CC} - V_{OUTx}$ )                          | 0.7   | 1.3  | 1.5   | V       |

# IS32FL3237

## ELECTRICAL CHARACTERISTICS (CONTINUE)

Typical values are  $T_A = 25^\circ\text{C}$ ,  $V_{CC} = 5\text{V}$ .

| Symbol                                                      | Parameter               | Condition                               | Min. | Typ. | Max. | Unit |
|-------------------------------------------------------------|-------------------------|-----------------------------------------|------|------|------|------|
| <b>Logic Electrical Characteristics (SDA, SCL, SDB, AD)</b> |                         |                                         |      |      |      |      |
| $V_{IL}$                                                    | Logic "0" input voltage | $V_{CC} = 2.7\text{V} \sim 5.5\text{V}$ |      |      | 0.4  | V    |
| $V_{IH}$                                                    | Logic "1" input voltage | $V_{CC} = 2.7\text{V} \sim 5.5\text{V}$ | 1.4  |      |      | V    |
| $I_{IL}$                                                    | Logic "0" input current | $V_{INPUT} = 0\text{V}$ (Note 8)        |      | 5    |      | nA   |
| $I_{IH}$                                                    | Logic "1" input current | $V_{INPUT} = V_{CC}$ (Note 8)           |      | 5    |      | nA   |

## DIGITAL INPUT SWITCHING CHARACTERISTICS (NOTE 8)

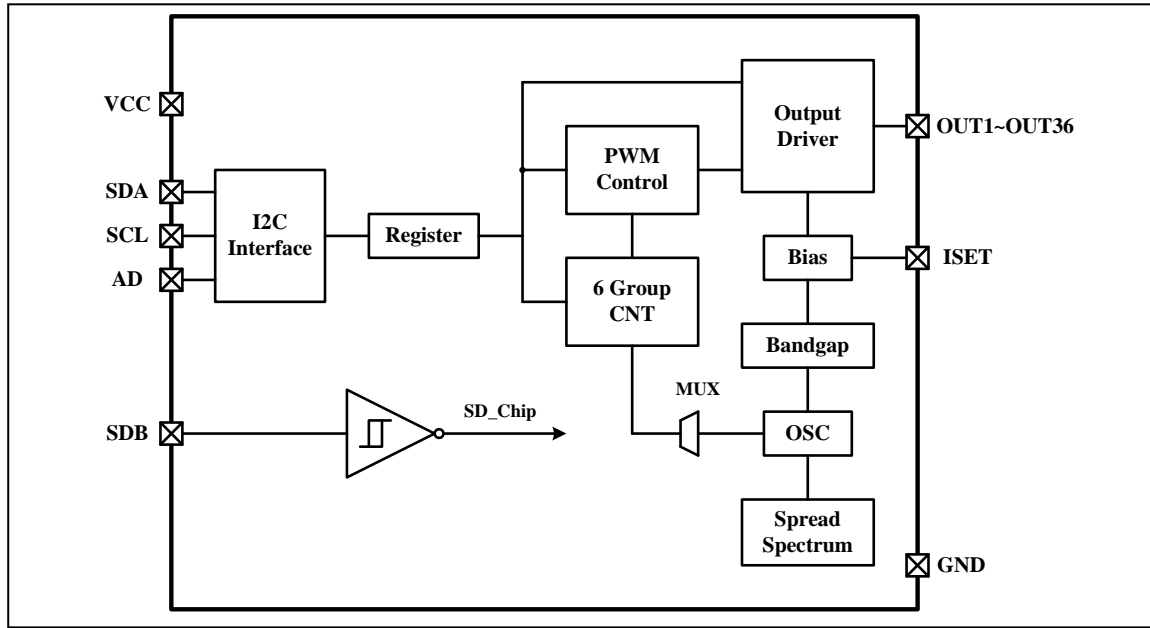
| Symbol        | Parameter                                          | Fast Mode |      |      | Fast Mode Plus |      |      | Unit          |
|---------------|----------------------------------------------------|-----------|------|------|----------------|------|------|---------------|
|               |                                                    | Min.      | Typ. | Max. | Min.           | Typ. | Max. |               |
| $f_{SCL}$     | Serial-clock frequency                             | -         |      | 400  | -              |      | 1000 | kHz           |
| $t_{BUF}$     | Bus free time between a STOP and a START condition | 1.3       |      | -    | 0.5            |      | -    | $\mu\text{s}$ |
| $t_{HD, STA}$ | Hold time (repeated) START condition               | 0.6       |      | -    | 0.26           |      | -    | $\mu\text{s}$ |
| $t_{SU, STA}$ | Repeated START condition setup time                | 0.6       |      | -    | 0.26           |      | -    | $\mu\text{s}$ |
| $t_{SU, STO}$ | STOP condition setup time                          | 0.6       |      | -    | 0.26           |      | -    | $\mu\text{s}$ |
| $t_{HD, DAT}$ | Data hold time                                     | -         |      | -    | -              |      | -    | $\mu\text{s}$ |
| $t_{SU, DAT}$ | Data setup time                                    | 100       |      | -    | 50             |      | -    | ns            |
| $t_{LOW}$     | SCL clock low period                               | 1.3       |      | -    | 0.5            |      | -    | $\mu\text{s}$ |
| $t_{HIGH}$    | SCL clock high period                              | 0.7       |      | -    | 0.26           |      | -    | $\mu\text{s}$ |
| $t_R$         | Rise time of both SDA and SCL signals, receiving   | -         |      | 300  | -              |      | 120  | ns            |
| $t_F$         | Fall time of both SDA and SCL signals, receiving   | -         |      | 300  | -              |      | 120  | ns            |

**Note 7:** The recommended minimum value of  $R_{ISET}$  is  $2\text{k}\Omega$ .

**Note 8:** Guaranteed by design.

# IS32FL3237

## FUNCTIONAL BLOCK DIAGRAM



# IS32FL3237

## DETAILED DESCRIPTION

### I2C INTERFACE

The IS32FL3237 uses a serial bus, which conforms to the I2C protocol, to control the chip's functions with two wires: SCL and SDA. The IS32FL3237 has a 7-bit slave address (A7:A1), followed by the R/W bit, A0. Set A0 to "0" for a write command and set A0 to "1" for a read command. The value of bits A1 and A2 are decided by the connection of the AD pin. The complete slave address is:

**Table 1 Slave Address**

| Bit   | A7:A3 | A2:A1 | A0  |
|-------|-------|-------|-----|
| Value | 01101 | AD    | 0/1 |

AD connected to GND, AD = 00;  
 AD connected to VCC, AD = 11;  
 AD connected to SCL, AD = 01;  
 AD connected to SDA, AD = 10;

The SCL line is uni-directional. The SDA line is bi-directional (open-drain) with a pull-up resistor (typically 2kΩ). The maximum clock frequency specified by the I2C standard is 1MHz. In this discussion, the master is the microcontroller and the slave is the IS32FL3237.

The timing diagram for the I2C is shown in Figure 3. The SDA is latched in on the stable high level of the SCL. When there is no interface activity, the SDA line should be held high.

The "START" signal is generated by lowering the SDA signal while the SCL signal is high. The start signal will alert all devices attached to the I2C bus to check the incoming address against their own chip address.

The 8-bit chip address is sent next, most significant bit first. Each address bit must be stable while the SCL level is high.

After the last bit of the chip address is sent, the master checks for the IS32FL3237's acknowledge. The master releases the SDA line high (through a pull-up resistor).

Then the master sends an SCL pulse. If the IS32FL3237 has received the address correctly, then it holds the SDA line low during the SCL pulse. If the SDA line is not low, then the master should send a "STOP" signal (discussed later) and abort the transfer.

Following acknowledge of IS32FL3237, the register address byte is sent, most significant bit first. IS32FL3237 must generate another acknowledge indicating that the register address has been received.

Then 8-bit of data byte are sent next, most significant bit first. Each data bit should be valid while the SCL level is stable high. After the data byte is sent, the IS32FL3237 must generate another acknowledge to indicate that the data was received.

The "STOP" signal ends the transfer. To signal "STOP", the SDA signal goes high while the SCL signal is high.

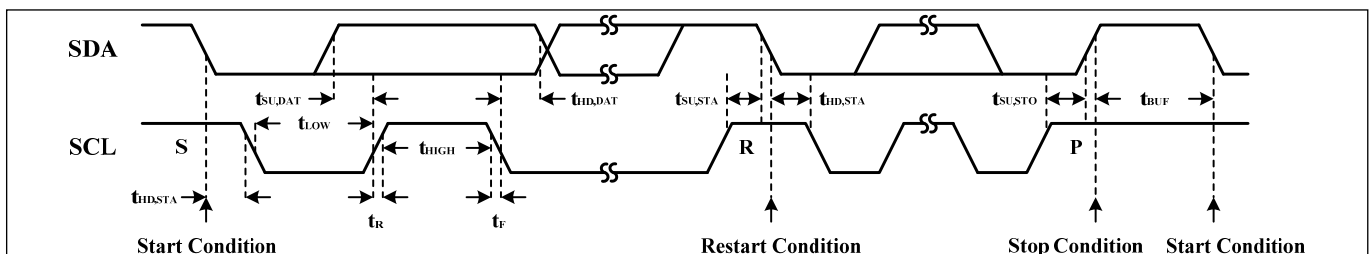
### ADDRESS AUTO INCREMENT

To write multiple bytes of data into IS32FL3237, load the address of the data register that the first data byte is intended for. During the IS32FL3237 acknowledge of receiving the data byte, the internal address pointer will increment by one. The next data byte sent to IS32FL3237 will be placed in the new address, and so on. The auto increment of the address will continue as long as data continues to be written to IS32FL3237 (Figure 6).

### READING OPERATION

Most of the registers can be read.

To read the register, after I2C start condition, the bus master must send the IS32FL3237 device address with the R/W bit set to "0", followed by the register address which determines which register is accessed. Then restart I2C, the bus master should send the IS32FL3237 device address with the R/W bit set to "1". Data from the register defined by the command byte is then sent from the IS32FL3237 to the master (Figure 7).



**Figure 3** Interface Timing



# IS32FL3237

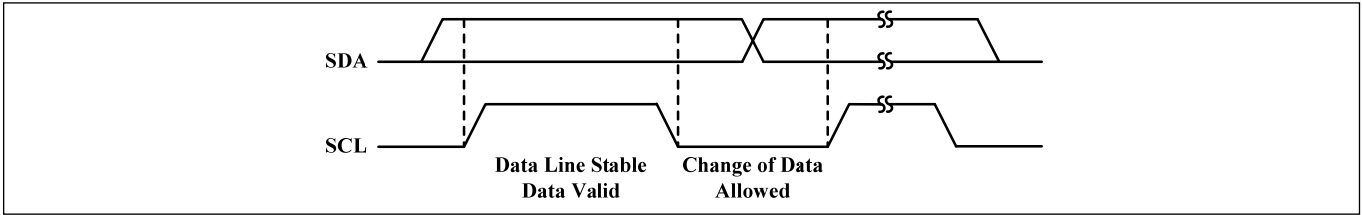


Figure 4 Bit Transfer

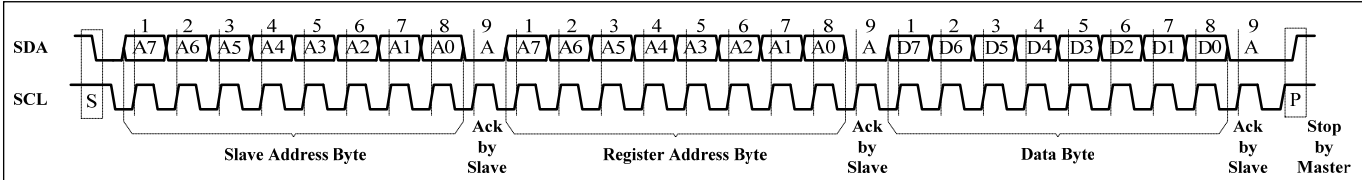


Figure 5 Writing to IS32FL3237 (Typical)

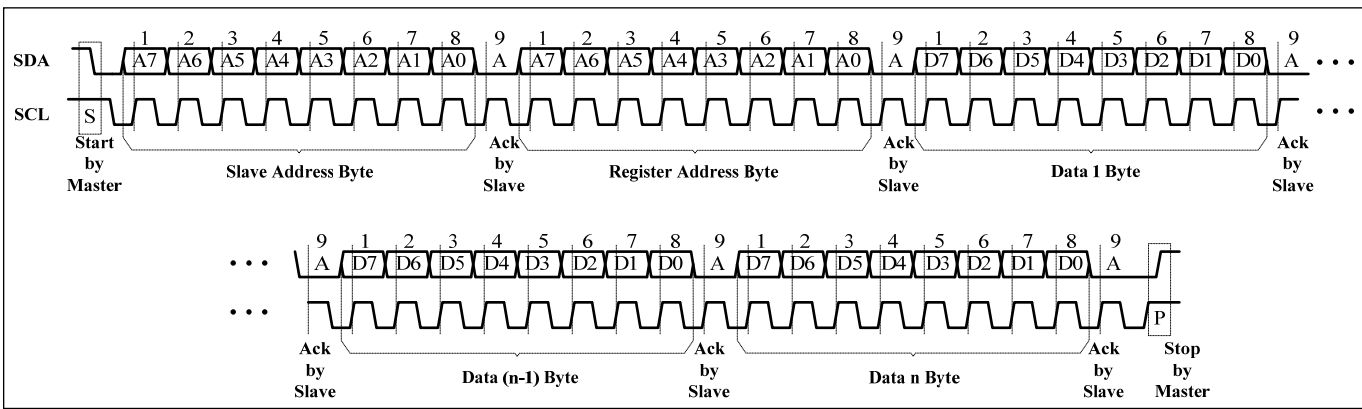


Figure 6 Writing to IS32FL3237 (Automatic Address Increment)

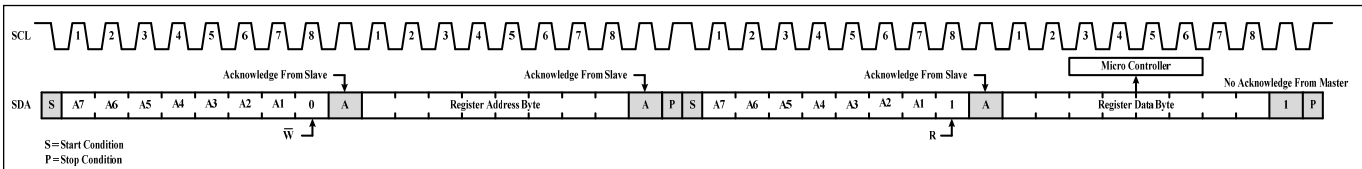


Figure 7 Reading from IS32FL3237

# IS32FL3237

## REGISTER DEFINITIONS

**Table 2 Register Function**

| Address | Name                                 | Function                          | R/W | Table | Default      |
|---------|--------------------------------------|-----------------------------------|-----|-------|--------------|
| 00h     | Control Register                     | Power control register            | R/W | 3     | 0000<br>0000 |
| 01h~48h | PWM Register                         | Channel [36:1] PWM register byte  | R/W | 5     |              |
| 49h     | Update Register                      | Update the PWM and Scaling data   | W   | -     |              |
| 4Ah~6Dh | LED Scaling Register                 | Control each channel's DC current | R/W | 7     |              |
| 6Eh     | Global Current Control Register      | Control Global DC current/SSD     | R/W | 8     |              |
| 70h     | Phase Delay and Clock Phase Register | Phase Delay and Clock Phase       | R/W | 9     |              |
| 71h     | Open Short Detect Enable Register    | Open short detect enable          | R/W | 10    |              |
| 72h~76h | LED Open/Short Register              | Open short information            | R/W | 11    |              |
| 77h     | Temperature Sensor Register          | Temperature information           | R/W | 12    |              |
| 78h     | Spread Spectrum Register             | Spread spectrum control register  | R/W | 13    |              |
| 7Fh     | Reset Register                       | Reset all registers               | W   | -     |              |

**Table 3 00h Control Register**

| Bit     | D7 | D6:D4 | D3 | D2:D1 | D0  |
|---------|----|-------|----|-------|-----|
| Name    | -  | OSC   | -  | PMS   | SSD |
| Default | 0  | 000   | 0  | 00    | 0   |

The Control Register sets software shutdown mode, internal oscillator clock frequency and PWM resolution. The internal oscillator clock frequency and the PWM resolution will decide the output PWM frequency, Recommend using lower than 300Hz option or higher than 20kHz options to avoid the MLCC's audible noise as shown in Table 4.

**SSD** Software Shutdown Enable  
 0 Software shutdown mode  
 1 Normal operation

**PMS** PWM Resolution  
 00 N=256, 8-bit  
 01 N=1024, 10-bit  
 10 N=4096, 12-bit  
 11 N=65536, 16-bit

**OSC** Oscillator Clock Frequency Selection  
 000 16MHz  
 001 8MHz  
 010 1MHz  
 011 500kHz  
 100 250kHz  
 101 125kHz  
 110 62kHz  
 111 31kHz

**Table 4 PWM Frequency**

| PWM Resolution | 16M | 8M  | 1M  | 500k | 250k | 125k | 62k | 31k |
|----------------|-----|-----|-----|------|------|------|-----|-----|
| 8-bit          | 62k | 32k | 4k  | 2k   | 1k   | 0.5k | 244 | 122 |
| 10-bit         | 16k | 8k  | 1k  | 0.5k | 244  | 122  | NA  | NA  |
| 12-bit         | 4k  | 2k  | 244 | 122  | NA   | NA   | NA  | NA  |
| 16-bit         | 244 | 122 | NA  | NA   | NA   | NA   | NA  | NA  |

**Table 5 01h~48h PWM Register**

| Reg     | 02h (04h, 06h...) | 01h (03h, 05h...) |
|---------|-------------------|-------------------|
| Bit     | D7:D0             | D7:D0             |
| Name    | PWM_H             | PWM_L             |
| Default | 0000 0000         | 0000 0000         |

Each output has 2 bytes to modulate the PWM duty in 256/1024/4096/65536 steps. If using the 8 bit PWM resolution, only the PWM\_L needs to be set.

The value of the SL bit (LED Scaling Register) decides the peak current of each LED noted as  $I_{OUT}$ .

$I_{OUT}$  and the value of the PWM Registers decide the average current of each LED noted as  $I_{LED}$ .

$I_{OUT}$  computed by Formula (1):

$$I_{OUT} = I_{OUT(MAX)} \times \frac{GCC}{256} \times \frac{SL}{256} \quad (1)$$

$I_{LED}$  computed by Formula (2):

$$I_{LED} = \frac{PWM}{N} \times I_{OUT} \quad (2)$$

$$N=256: PWM = \sum_{n=0}^7 D[n] \cdot 2^n$$

# IS32FL3237

$$N=1024: PWM = \sum_{n=0}^9 D[n] \cdot 2^n$$

$$N=4096: PWM = \sum_{n=0}^{11} D[n] \cdot 2^n$$

$$N=65536: PWM = \sum_{n=0}^{15} D[n] \cdot 2^n \quad (3)$$

Where  $I_{OUT(MAX)}$  is the maximum output current decided by  $R_{ISET}$  (Check  $R_{ISET}$  section for more information), GCC is the global current setting (6Eh), and SL is the scaling of each output (4Ah~6Dh), N=256/1024/4096/65536(8/10/12/16 bit PWM resolution).

For example:  $R_{ISET}=3.3k\Omega$ ,  $GCC=0xFF$ ,  $SL=0xFF$ ,  $PMS="11"$  (16-bit PWM resolution),  $PWM\_H=0xFF$ ,  $PWM\_L=0xFF$ ,  $I_{OUT(MAX)} = 23.18mA$

$$I_{OUT} = I_{OUT(MAX)} \times \frac{255}{256} \times \frac{255}{256} = 23mA \quad (1)$$

$$PWM = \sum_{n=0}^{15} D[n] \cdot 2^n = 65535 \quad (3)$$

N= 65536

$$I_{LED} = \frac{65535}{65536} \times 23mA = 23mA \quad (2)$$

Where  $I_{OUT(MAX)}$  is the maximum output current decided by  $R_{ISET}$  (Check  $R_{ISET}$  section for more information)

The  $I_{OUT}$  of each channel is set by the SL bits of LED Scaling Register (4Ah~6Dh). Please refer to the detail information in Table 7.

If  $R_{ISET}=3.3k\Omega$ ,  $GCC=0xFF$ ,  $SL=0xFF$ ,  $PMS="00"$  (8-bit PWM resolution, only use the PWM\_L, the PWM\_H will be ignored),  $PWM\_H=0x77$ ,  $PWM\_L=0xAA$ ,  $I_{OUT(MAX)} = 23.18mA$

$$I_{OUT} = I_{OUT(MAX)} \times \frac{255}{256} \times \frac{255}{256} = 23mA \quad (1)$$

$$PWM = \sum_{n=0}^7 D[n] \cdot 2^n = 170 \quad (3)$$

N= 256

$$I_{LED} = \frac{170}{256} \times 23mA \quad (2)$$

**Table 6 PWM and Scaling Register Map**

| OUT | PWM   |       | SL  |
|-----|-------|-------|-----|
|     | PWM_H | PWM_L |     |
| 1   | 02h   | 01h   | 4Ah |
| 2   | 04h   | 03h   | 4Bh |
| 3   | 06h   | 05h   | 4Ch |
| 4   | 08h   | 07h   | 4Dh |
| 5   | 0Ah   | 09h   | 4Eh |
| 6   | 0Ch   | 0Bh   | 4Fh |
| 7   | 0Eh   | 0Dh   | 50h |
| 8   | 10h   | 0Fh   | 51h |
| 9   | 12h   | 11h   | 52h |
| 10  | 14h   | 13h   | 53h |
| 11  | 16h   | 15h   | 54h |
| 12  | 18h   | 17h   | 55h |
| 13  | 1Ah   | 19h   | 56h |
| 14  | 1Ch   | 1Bh   | 57h |
| 15  | 1Eh   | 1Dh   | 58h |
| 16  | 20h   | 1Fh   | 59h |
| 17  | 22h   | 21h   | 5Ah |
| 18  | 24h   | 23h   | 5Bh |
| 19  | 26h   | 25h   | 5Ch |
| 20  | 28h   | 27h   | 5Dh |
| 21  | 2Ah   | 29h   | 5Eh |
| 22  | 2Ch   | 2Bh   | 5Fh |
| 23  | 2Eh   | 2Dh   | 60h |
| 24  | 30h   | 2Fh   | 61h |
| 25  | 32h   | 31h   | 62h |
| 26  | 34h   | 33h   | 63h |
| 27  | 36h   | 35h   | 64h |
| 28  | 38h   | 37h   | 65h |
| 29  | 3Ah   | 39h   | 66h |
| 30  | 3Ch   | 3Bh   | 67h |
| 31  | 3Eh   | 3Dh   | 68h |
| 32  | 40h   | 3Fh   | 69h |
| 33  | 42h   | 41h   | 6Ah |
| 34  | 44h   | 43h   | 6Bh |
| 35  | 46h   | 45h   | 6Ch |
| 36  | 48h   | 47h   | 6Dh |

# IS32FL3237

## 49h Update Register

When SDB= "H" and SSD= "1", a write of "0000 0000" to 49h will update the PWM Registers (01h~48h) values.

**Table 7 4Ah~6Dh LED Scaling Register**

| Bit     | D7:D0     |
|---------|-----------|
| Name    | SL        |
| Default | 0000 0000 |

Each output has 8 bits to modulate DC current in 256 steps.

The value of the SL Registers decides the DC peak current of each LED noted by  $I_{OUT}$ .

$I_{OUT}$  computed by Formula (1):

$$I_{OUT} = I_{OUT(MAX)} \times \frac{GCC}{256} \times \frac{SL}{256} \quad (1)$$

$$SL = \sum_{n=0}^7 D[n] \cdot 2^n \quad (4)$$

Where  $I_{OUT(MAX)}$  is the maximum output current decided by  $R_{ISET}$ , GCC is the global current setting (6Eh) 4Ah~6Dh don't need to be updated by writing to 49h, each register will be updated immediately when it is written.

**Table 8 6Eh Global Current Control Register**

| Bit     | D7:D0     |
|---------|-----------|
| Name    | GCC       |
| Default | 0000 0000 |

GCC and SL registers control  $I_{OUT}$  as shown in Formula (1).

$$GCC = \sum_{n=0}^7 D[n] \cdot 2^n \quad (5)$$

If GCC=0xFF, SL=0xFF,  $I_{OUT}=I_{OUT(MAX)}$

If GCC=0x01, SL=0xFF,

$$I_{OUT} = I_{OUT(MAX)} \times \frac{1}{256} \times \frac{255}{256}$$

Where  $I_{OUT(MAX)}$  is the maximum output current decided by  $R_{ISET}$  (Check  $R_{ISET}$  section for more information).

**Table 9 70h Phase Delay and Clock Phase Register**

| Bit     | D7  | D6 | D5  | D4  | D3  | D2  | D1  | D0  |
|---------|-----|----|-----|-----|-----|-----|-----|-----|
| Name    | PDE | -  | PS6 | PS5 | PS4 | PS3 | PS2 | PS1 |
| Default | 0   | 0  | 0   | 0   | 0   | 0   | 0   | 0   |

The PDE bit is for enabling channel group delay to minimize peak load current draw from the LED power supply rail.

**PDE** Phase Delay Enable  
 0 Phase delay disable  
 1 Phase delay enable

**PS[n]** Clock Phase Select  
 0 All outputs work as scheme of Clock Phase 1  
 1 Outputs OUT[2+(n-1)\*6], OUT[4+(n-1)\*6], OUT[6+(n-1)\*6] work as scheme of Clock Phase 2

Phase Delay separates 36 outputs as 6 groups, OUT1~OUT6 as group 1, OUT7~OUT12 as group 2...OUT31~OUT36 as group 6. When Phase Delay is enabled, group 2 has a  $1/(6 \cdot f_{OUT})$  time delay than group 1, group 3 also has a  $1/(6 \cdot f_{OUT})$  time delay than group 2, group 4 also has a  $1/(6 \cdot f_{OUT})$  time delay than group 3, and so on.

For each group of 6 outputs there is a Clock Phase option PS[n](n=1~6), when PSn is set to '1', OUT[1+(n-1)\*6], OUT[3+(n-1)\*6], OUT[5+(n-1)\*6] keep the phase, phase 1, the turning on edge of the PWM pulse is fixed from starting of PWM cycle, but OUT[2+(n-1)\*6], OUT[4+(n-1)\*6], OUT[6+(n-1)\*6] change to phase 2, the turning off edge of the PWM pulse is fixed from ending of PWM cycle as below, the rising and falling edges will cancel the power ripple.

Phase Delay feature and Clock Phase options can work together to minimize the voltage ripple of LED power supply.

**Table 10 71h Open Short Detect Enable Register**

| Bit     | D7:D2   | D1:D0 |
|---------|---------|-------|
| Name    | -       | OSDE  |
| Default | 0000 00 | 00    |

OSDE enables the open and/or short LED channel detection with the result stored in 72h~76h, note either open or short information is saved not both.

**OSDE** Open Detect Enable  
 00 Detect disable  
 01 Detect disable  
 10 Short detect enable  
 11 Open detect enable

# IS32FL3237

**Table 11-1 72h~75h LED Open/Short Register**

| 72h     | D7:D0      |
|---------|------------|
| Name    | OP/ST[8:1] |
| Default | 0000 0000  |

**Table 11-2 76h LED Open/Short Register**

| Bit     | D7:D4 | D3:D0        |
|---------|-------|--------------|
| Name    | -     | OP/ST[36:33] |
| Default | 0000  | 0000         |

Open or short status is stored in 72h to 76h.

**OP[36:1]** Open Information of OUT36:OUT1  
 0 Open not detected  
 1 Open detected

**ST[36:1]** Short Information of OUT36:OUT1  
 0 Short not detected  
 1 Short detected

**Table 12 77h Temperature Sensor Register**

| Bit     | D7:D6 | D5 | D4     | D3:D2 | D1:D0 |
|---------|-------|----|--------|-------|-------|
| Name    | TROF  | -  | T_Flag | -     | TS    |
| Default | 00    | 0  | 0      | 00    | 00    |

TS stores the temperature/thermal roll-off point. TROF stores percentage of output current of the thermal roll-off function.

T\_Flag=1 indicates die temperature exceeds the temperature set point (TS). Before each reading of 77h register, TROF and TS must be re-written.

**TROF** Thermal roll off percentage of output current  
 00 100%  
 01 75%  
 10 55%  
 11 30%

**TS** Temperature Point, Thermal roll off start point  
 00 140°C  
 01 120°C  
 10 100°C  
 11 90°C

**T\_Flag** Temperature Flag  
 0 Temperature point not exceeded  
 1 Temperature point exceeded

**Table 13 78h Spread Spectrum Register**

| Bit     | D7:D5 | D4  | D3:D2 | D1:D0 |
|---------|-------|-----|-------|-------|
| Name    | DCPWM | SSP | RNG   | CLT   |
| Default | 000   | 0   | 00    | 00    |

When DCPWM is set to "0", the PWM outputs are decided by 01h~48h, and the PWM range is 0/256~255/256(8-bit PWM, 0/1024~1023/1024 for 10 bit PWM, 0/4096~4095/4096 for 12 bit PWM, 0/65536~65535/65536 for 16 bit PWM), still the 1/256(8-bit PWM, 1/1024 for 10 bit PWM, 1/4096 for 12 bit PWM, 1/65536 for 16 bit PWM), can't be turned on. When the DCPWM is set to "1", PWM dimming is disabled and dimming will be done by current adjust GCC and SL registers.

Spread spectrum register configures the spread spectrum function, adjust the cycle time and range.

**DCPWM** Setting the output to work in DC mode  
 xx0 Output 1~12 PWM data set by registers 01h~18h  
 xx1 Output 1~12 set to turn on (PWM is disabled)  
 x0x Output 13~24 PWM data set by registers 19h~30h  
 x1x Output 13~24 set to turn on (PWM is disabled)  
 0xx Output 25~36 PWM data set by registers 31h~48h  
 1xx Output 25~36 set to turn on (PWM is disabled)

**SSP** Spread Spectrum Enable  
 0 Disable  
 1 Enable

**CLT** Spread Spectrum Cycle Time  
 00 ±1980µs  
 01 ±1200µs  
 10 ±820µs  
 11 ±660µs

**RNG** Spread Spectrum Range  
 00 ±5%  
 01 ±15%  
 10 ±24%  
 11 ±34%

## 7Fh Reset Register

When power on, all registers values are reset to 0x00 (default). A write of "0000 0000" to 7Fh will also reset all registers to their default values.

# IS32FL3237

## APPLICATION INFORMATION

### R<sub>ISET</sub>

The maximum output current I<sub>OUT(MAX)</sub> for OUT1~OUT36 can be adjusted by the external resistor, R<sub>ISET</sub>, as described in Formula (6).

$$I_{OUT(MAX)} = x \cdot \frac{V_{ISET}}{R_{ISET}} \quad (6)$$

x = 58.84, V<sub>ISET</sub> = 1.3V.

The recommended minimum value of R<sub>ISET</sub> is 2kΩ.

When R<sub>ISET</sub>=3.3kΩ, I<sub>OUT(MAX)</sub>=23.18mA

When R<sub>ISET</sub>=2kΩ, I<sub>OUT(MAX)</sub>=38.25mA

R<sub>ISET</sub> should be close to the chip and the ground side should well connect to the GND plane.

### CURRENT SETTING

The maximum output current is set by the external resistor R<sub>ISET</sub>. The Global Current Control register GCC can be used to set a lower current than set by R<sub>ISET</sub>. The 8-bit SL registers (4Ah~6Dh) control the individual currents for each of the outputs.

Some applications may require the I<sub>OUT</sub> of each channel to be adjusted independently. For example, if OUT1 drives 1 LED and OUT2 drives 2 parallel LEDs, and they should have the same average current like 18mA, we can set the I<sub>OUT(MAX)</sub> to 36mA, and GCC=0xFF, 4Ah=0x80 for OUT1, 4Bh=0xFF for OUT2. The result is OUT1 will sink 18mA and OUT2 will sink 36mA which will be 18mA through each of the parallel LEDs.

Another example, OUT1, OUT2 and OUT3 drive an RGB LED, OUT1 is Red LED, OUT2 is Green LED and OUT 3 is Blue LED. If GCC and SL bits are the same, then the RGB LED may appear a pinkish, or not so white. The SL bits can be used to adjust the I<sub>OUTx</sub> current so the RGB LED appears closer to a pure white color. We call this SL bit adjustment by another name: white balance registers.

### PWM CONTROL

The PWM Registers (01h~48h) can modulate the LED brightness of each of the 36 channels with 256/1024/4096/65536 steps. For example, if the data in PWM\_H Register is "0000 0000" and in PWM\_L Register is "0000 0100", then the PWM is the fourth step. The greater the step count, the more accurate the RGB color mixing.

Writing new data continuously to the registers can modulate the brightness of the LEDs to achieve a breathing effect.

### PWM FREQUENCY SELECT

The IS32FL3237 output channels operate with a default 8 bit PWM resolution and the PWM frequency

of 62kHz (oscillator frequency is 16MHz). Because all the OUTx channels are synchronized, the DC power supply will experience large instantaneous current surges when the OUTx channels turn ON. These current surges will generate an AC ripple on the power supply which cause stress to the decoupling capacitors. When the AC ripple is applied to a monolithic ceramic capacitor chip (MLCC) it will expand and contract causing the PCB to flex and generate audible hum in the range of between 20Hz to 20kHz, To avoid this hum, there are many countermeasures, such as selecting the capacitor type and value which will not cause the PCB to flex and contract.

An additional option for avoiding audible hum is to set the IS32FL3237's output PWM frequency above the audible frequency range. The Control Register (00h) can be used to set the switching frequency to 122Hz~62kHz as shown in Table 4. Combination settings of the OSC and PMS bits will result in different PWM frequency, select a value higher than 20kHz to avoid the audible frequency range.

### PHASE DELAY and CLOCK PHASE

To reduce audible noise due to PWM switching, the IS31FL3237 features Phase Delay and Clock Phase schemes. When Phase Delay and Clock Phase are disabled (default) all of the outputs turn on simultaneously causing large current draw from the ceramic capacitors and plausible audible noise.

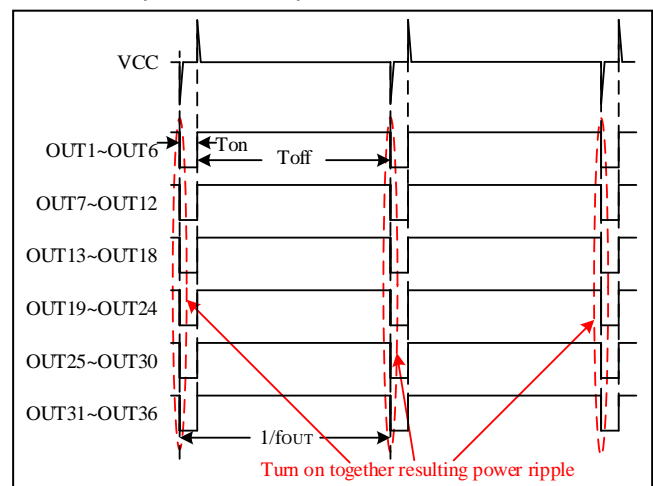
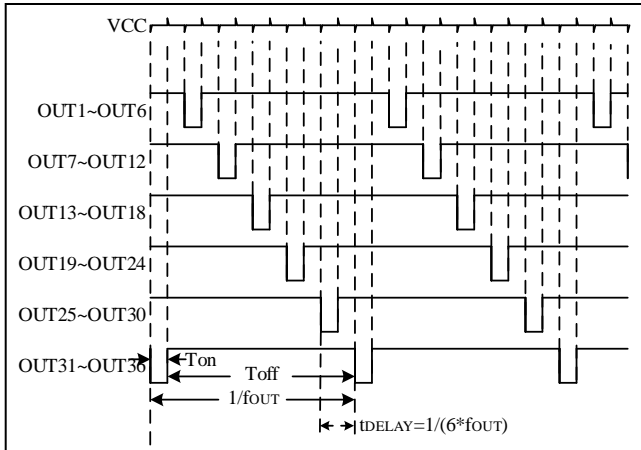


Figure 8 Phase Delay and Clock Phase disable

The PDE bit of register 70h will enable the Phase Delay function so at power-on the OUTx channel will not all turn on at the same time to minimize peak load current, resulting in reduced voltage ripple on the LED power supply rail. Phase Delay separates the 36 outputs as 6 groups, OUT1~OUT6 as group 1, OUT7~OUT12 as group 2...OUT31~OUT36 as group 6, when Phase Delay is enabled, group 2 will have a

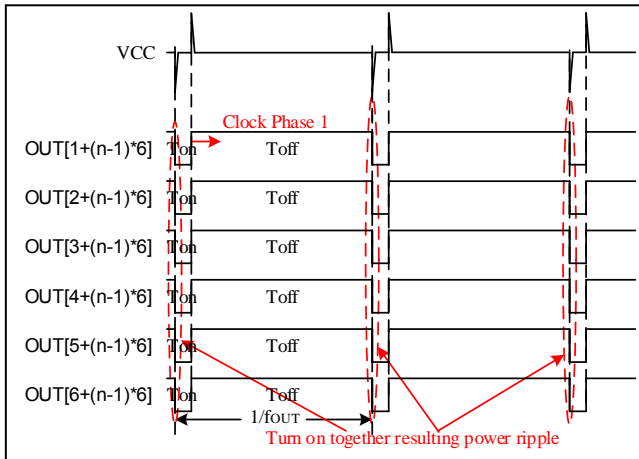
# IS32FL3237

$1/(6 \times f_{OUT})$  time delay than group 1, group 3 will also have a  $1/(6 \times f_{OUT})$  time delay than group 2, and so on.



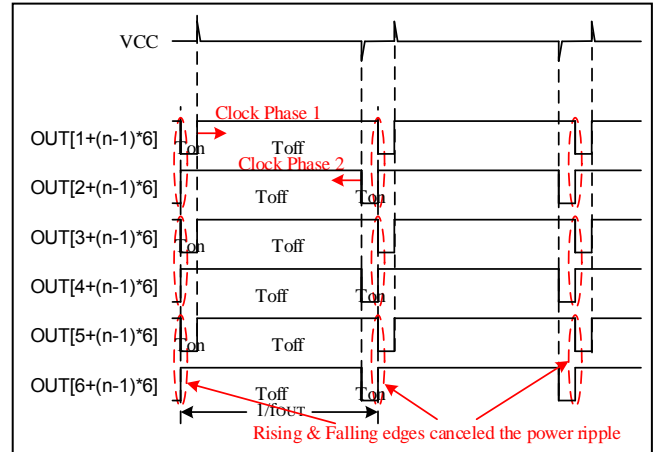
**Figure 9** PDE='1' Phase Delay enable

Also in each group of outputs, there is a Clock Phase option PS[n](n=1~6), when PSn of 71h register is set to '0'(default), all outputs in group n keep the phase 1.



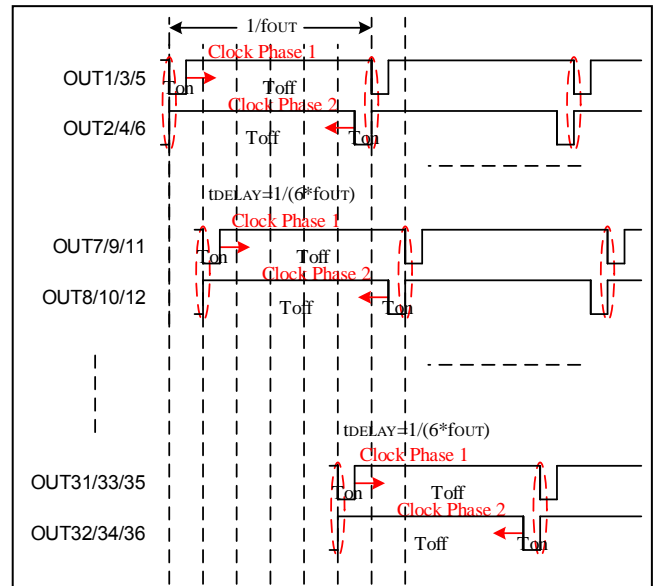
**Figure 10** PSn='0' Clock Phase disable

When PSn is set to '1', OUT[1+(n-1)\*6], OUT[3+(n-1)\*6], OUT[5+(n-1)\*6] will keep the phase 1, the turning on edge of the PWM pulse is fixed from starting of PWM cycle as below, but OUT[2+(n-1)\*6], OUT[4+(n-1)\*6], OUT[6+(n-1)\*6] will change to phase 2, the turning off edge of the PWM pulse is fixed from ending of PWM cycle as below, the rising and falling edges will cancel the power ripple.



**Figure 11** PSn='1' Clock Phase enable

Phase Delay feature and Clock Phase options can work together to minimize the voltage ripple of LED power supply.



**Figure 12** PDE='1' Phase Delay enable, PSn='1'(n=1-6) Clock Phase enable

## OPEN/SHORT DETECT FUNCTION

IS32FL3237 has open and short detect bit for each LED. See Open (VOD) and Short (VSD) detection thresholds in the Electrical Characteristics table.

By setting the OSDE bit of Open Short Detect Enable Register (71h) from "00" to "10" (store short information) or "11" (store open information), the LED Open/Short Register will store the open/short information immediately the MCU can get the open/short information by reading the 72h~76h.

## SPREAD SPECTRUM FUNCTION

PWM current switching of LED outputs can be particularly troublesome when the EMI is concerned. To optimize the EMI performance, the IS32FL3237 includes a spread spectrum function. By setting the RNG bit of Spread Spectrum Register (78h), Spread Spectrum range can be chosen from  $\pm 5\%$  /  $\pm 15\%$





# IS32FL3237

## CLASSIFICATION REFLOW PROFILES

| Profile Feature                                                                                                                                                               | Pb-Free Assembly                 |
|-------------------------------------------------------------------------------------------------------------------------------------------------------------------------------|----------------------------------|
| <b>Preheat &amp; Soak</b><br>Temperature min (T <sub>smin</sub> )<br>Temperature max (T <sub>smax</sub> )<br>Time (T <sub>smin</sub> to T <sub>smax</sub> ) (t <sub>s</sub> ) | 150°C<br>200°C<br>60-120 seconds |
| Average ramp-up rate (T <sub>smax</sub> to T <sub>p</sub> )                                                                                                                   | 3°C/second max.                  |
| Liquidous temperature (T <sub>L</sub> )<br>Time at liquidous (t <sub>L</sub> )                                                                                                | 217°C<br>60-150 seconds          |
| Peak package body temperature (T <sub>p</sub> )*                                                                                                                              | Max 260°C                        |
| Time (t <sub>p</sub> )** within 5°C of the specified classification temperature (T <sub>c</sub> )                                                                             | Max 30 seconds                   |
| Average ramp-down rate (T <sub>p</sub> to T <sub>smax</sub> )                                                                                                                 | 6°C/second max.                  |
| Time 25°C to peak temperature                                                                                                                                                 | 8 minutes max.                   |

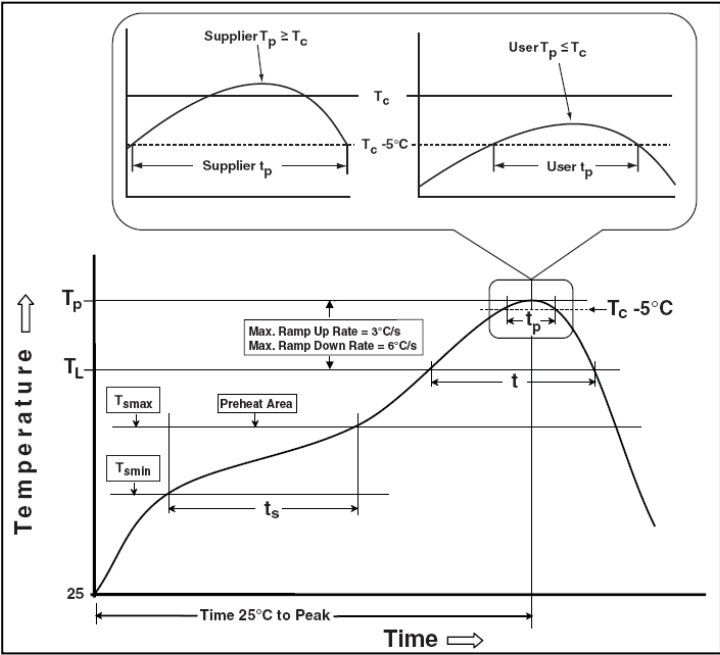
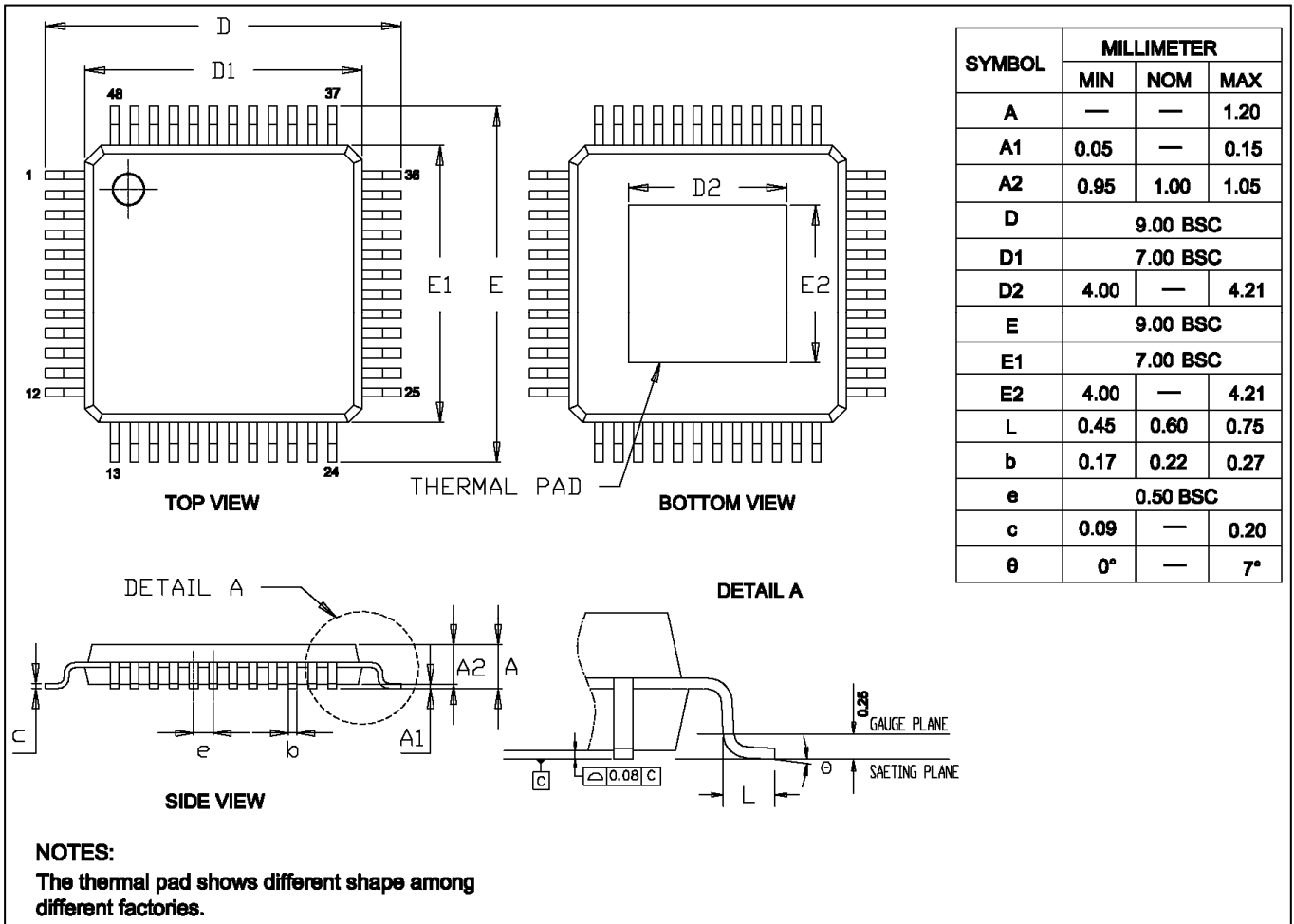


Figure 14 Classification Profile

# IS32FL3237

## PACKAGE INFORMATION

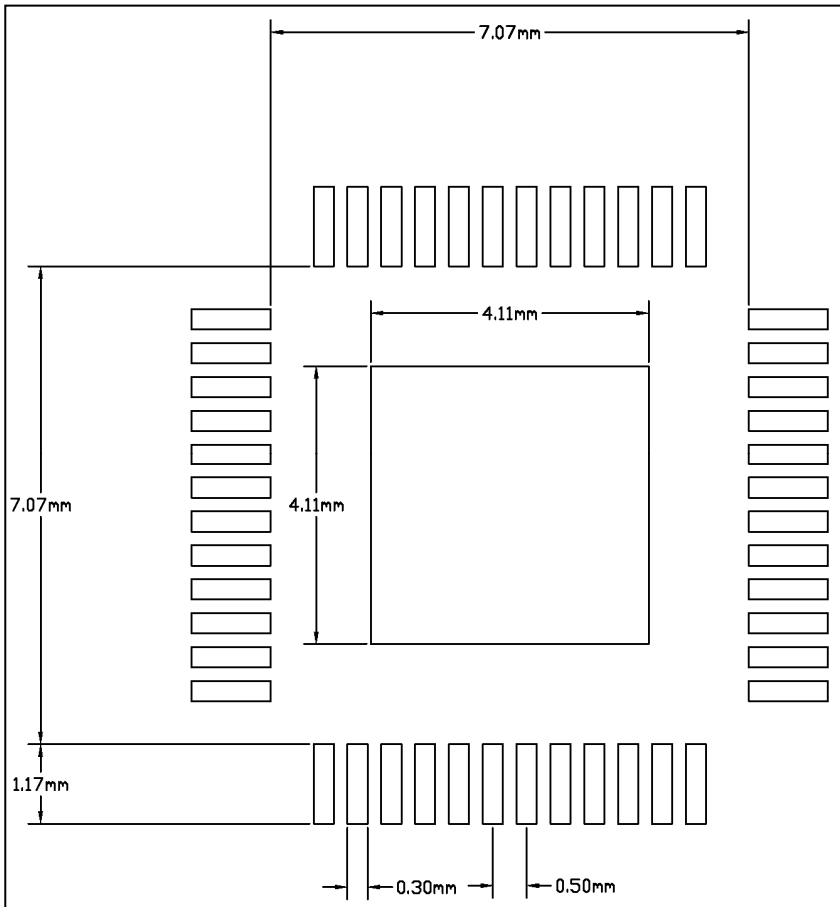
### eTQFP-48



# IS32FL3237

## RECOMMENDED LAND PATTERN

### eTQFP-48



**Note:**

1. Land pattern complies to IPC-7351.
2. All dimensions in MM.
3. This document (including dimensions, notes & specs) is a recommendation based on typical circuit board manufacturing parameters. Since land pattern design depends on many factors unknown (eg. User's board manufacturing specs), user must determine suitability for use.

# IS32FL3237

## REVISION HISTORY

| Revision | Detail Information                                                                                                                                                                                                            | Date       |
|----------|-------------------------------------------------------------------------------------------------------------------------------------------------------------------------------------------------------------------------------|------------|
| 0A       | Initial release.                                                                                                                                                                                                              | 2018.10.09 |
| 0B       | <ol style="list-style-type: none"> <li>1. Update Table 4 and OSC definition</li> <li>2. Update Application in page 1</li> <li>3. Add ESD value</li> </ol>                                                                     | 2019.06.12 |
| A        | <ol style="list-style-type: none"> <li>1. Update to final version</li> <li>2. Update <math>I_{OUT}</math> definition in ELECTRICAL CHARACTERISTICS table</li> </ol>                                                           | 2019.06.19 |
| B        | <ol style="list-style-type: none"> <li>1. Add <math>V_{OD}/V_{SD}</math> (open/short threshold) in ELECTRICAL CHARACTERISTICS table</li> <li>2. Add PHASE DELAY and CLOCK PHASE section in Application Information</li> </ol> | 2020.01.02 |