



General Description

The SLG3NB3331 uses a 25 MHz Reference Crystal to provide one 32.768 kHz clock output and three 25 MHz clock outputs. The part supports a non-rechargeable coin cell battery (ex. CR2032) as the power source for the ultra low power Hibernate mode operation.

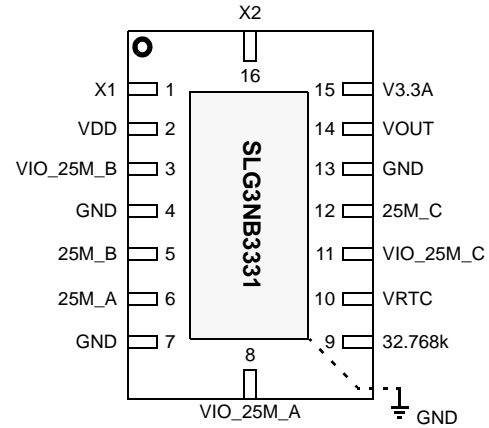
Features

- 32.768 kHz GreenCLK technology for RTC
- Scalable VIO
- Improved performance over temperature
- Supports Industrial temperature range
- Smaller package and layout foot print
- 16-pin TQFN: 2 x 3 x 0.75 mm, 0.4 mm pitch
- Pb-Free / Halogen-Free / RoHS compliant

Output Summary

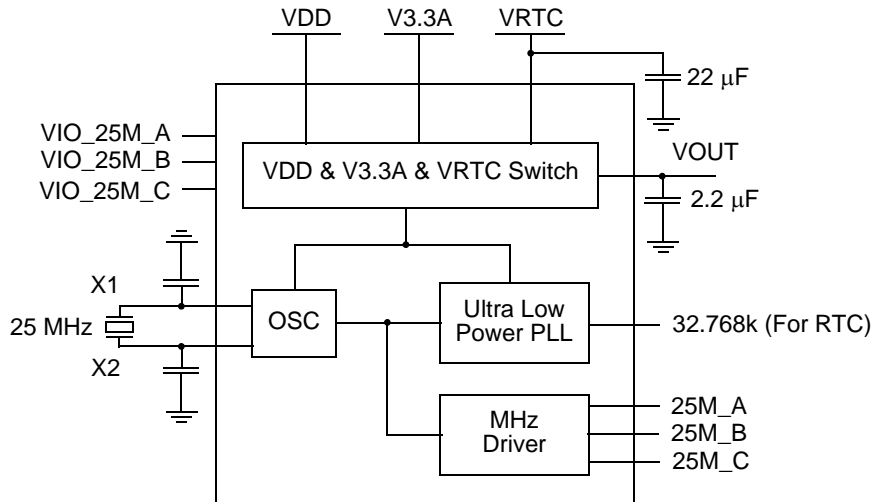
- 1x 32.768 kHz clock output (1.8 μ A in Hibernate Mode)
- 3x 25 MHz clock outputs (2.5 mA in Active Mode)

Pin Configuration



16-pin TQFN
(Top View)

Block Diagram





Pin Description

Pin #	Pin Name	Type ¹	Pin Description ²
1	X1	I	Crystal Interface: 25 MHz, OSC input
2	VDD	PWR	Power Supply: 3.3 V for Active Mode
3	VIO_25M_B	PWR	Power Supply: Power for 25M_B output
4	GND	GND	Ground
5	25M_B	O, SE	Clock Output: 25 MHz output (Stop by V _{IO_25M_B})
6	25M_A	O, SE	Clock Output: 25 MHz output (Stop by V _{IO_25M_A})
7	GND	GND	Ground
8	VIO_25M_A	PWR	Power Supply: Power for 25M_A output
9	32.768k	O, SE	Clock Output: 32.768 kHz output for RTC (Free Running)
10	VRTC	PWR	Power Supply: Power for 32.768 kHz output. Connect to a non-rechargeable coin cell battery ³ (ex. CR2032) . 32.768 kHz (32.768k) clock will draw power from this pin during Hibernate Mode (when V _{3.3A} = 0 V and V _{DD} = 0 V). 22 μ F decoupling capacitor is recommended.
11	VIO_25M_C	PWR	Power Supply: Power for 25M_C output
12	25M_C	O, SE	Clock Output: 25 MHz output (Stop by V _{IO_25M_C})
13	GND	GND	Ground
14	VOUT	PWR	Power Output: 2.2 μ F decoupling capacitor is recommended.
15	V3.3A	PWR	Power Supply: Power for 32.768 kHz output. 32.768 kHz (32.768k) clock will draw power from this pin during Active and/or Suspend Mode (when V _{3.3A} = 3.3 V).
16	X2	O, SE	Crystal Interface: 25 MHz, OSC output
Exposed Bottom Pad	GND	GND	Ground

Notes:

1. Type Definitions

- PWR: power
- GND: ground
- I: input
- O: output
- SE: single ended signal

2. It is recommended that all Power Supply pins have a decoupling capacitor attached (0.1 μ F minimum).

3. When CR coin cell battery is used, place a 301 Ω resistor between the coin cell and the decoupling capacitor to meet the UL safety requirement.



Absolute Maximum Ratings

Parameter	Description	Min.	Max.	Unit
V _{DD}	Voltage on VDD pin relative to GND	-0.3	4.2	V
V _{3.3A}	Voltage on V3.3A pin relative to GND	-0.3	4.2	V
V _{RTC}	Voltage on VRTC pin relative to GND	-0.3	4.2	V
T _S	Storage Temperature	-65	150	°C
ESD _{HBM}	ESD Protection (Human Body Model)	2000	--	V
MSL	Moisture Sensitivity Level	1		

Note: Stresses greater than those listed under “Absolute Maximum Ratings” may cause permanent damage to the device. This is a stress rating only and functional operation of the device at these or any other conditions above those indicated in the operational sections of this specification is not implied. Exposure to absolute maximum rating conditions for extended periods may affect reliability.

Recommended Operating Temperature

Parameter	Description	Min.	Max.	Unit
T _O	Operating Temperature	-40	85	°C

Recommended 25 MHz Reference Crystal Specifications

Description	Conditions	Min	Typ	Max	Unit
Initial Frequency		--	25	--	MHz
Frequency Tolerance	@ 25 °C	--	--	±10	ppm
Frequency Stability over Operating Temperature Range	@ -10 °C to 70 °C	--	--	±10	ppm
Frequency Aging	per year	--	--	1 ¹	ppm
Drive Level		--	--	100	μW
Crystal Load Capacitance	Parallel Resonance	8			pF
Fundamental Mode AT Cut Crystal		--	--	--	

Notes:

1. Vendor Specific: Frequency aging may be different per crystal used. Check with crystal vendor for specific value. SLG3NB3331 outputs will track the crystal frequency aging as stated in other sections of this datasheet.



32.768 kHz Clock Output Characteristics (32.768k in Hibernate/Suspend Mode)

T_A = 25 °C, V_{RTC} = 2.9 V (unless otherwise stated)

Symbol	Description	Conditions	Min	Typ	Max	Unit
32F _{INI}	Initial Frequency		--	32.768	--	kHz
32F _{ERRI} ¹	Frequency Error at Room Temperature	@ 25 °C	--	±17	±23.0	ppm
			--	±1.5	±2.0	sec/day
32F _{ERRT} ¹	Frequency Error over Operating Temperature Range	@ -10 °C to 70 °C	--	±24.2	±34.5	ppm
			--	±2.1	±3.0	sec/day
32F _{AGE}	Frequency Aging	per year	Reference Crystal ²			ppm
DC	Duty Cycle	0.5 V	45	50	55	%
V _{OH}	Output Voltage HIGH		0.8	1.0	1.2	V
V _{OL}	Output Voltage LOW		--	--	0.3	V

Notes:

- a. Respective values for this parameter is guaranteed only when the recommended 25 MHz Reference Crystal is used, and the values take into account the crystal variations.
b. Assumes crystal ppm spec is a σ or Gaussian distribution.
c. Assumes crystal load capacitors are within $\pm 5\%$ of ideal value.
- This parameter tracks Reference Crystal characteristics.

32.768 kHz Clock Output Characteristics (32.768k in Active Mode)

T_A = 25 °C, V_{RTC} = 2.9 V, V_{DD} = 3.3 V (unless otherwise stated)

Symbol	Description	Conditions	Min	Typ	Max	Unit
32F _{INI}	Initial Frequency		--	32.768	--	kHz
32F _{ERRI}	Frequency Error at Room Temperature	@ 25 °C	Reference Crystal ¹			ppm
32F _{ERRT}	Frequency Error over Operating Temperature Range	@ -10 °C to 70 °C	Reference Crystal ¹			ppm
32F _{AGE}	Frequency Aging	per year	Reference Crystal ¹			ppm
DC	Duty Cycle	0.5 V	45	50	55	%
V _{OH}	Output Voltage HIGH		0.8	1.0	1.2	V
V _{OL}	Output Voltage LOW		--	--	0.3	V

Notes:

- This parameter tracks Reference Crystal characteristics.



25 MHz Clock Output Characteristics (25M_A, 25M_B, and 25M_C)

$T_A = 25\text{ }^\circ\text{C}$, $V_{RTC} = 2.9\text{ V}$, $V_{3.3A} = 3.3\text{ V}$, $V_{DD} = 3.3\text{ V}$ (unless otherwise stated)

Symbol	Description	Conditions	Min	Typ	Max	Unit
F_{INI}	Initial Frequency		--	25	--	MHz
F_{ERRI}	Frequency Error at Room Temperature	@ 25 °C	Reference Crystal ¹			ppm
F_{ERRT}	Frequency Error over Operating Temperature Range	@ -10 °C to 70 °C	Reference Crystal ¹			ppm
F_{AGE}	Frequency Aging	per year	Reference Crystal ¹			ppm
DC	Duty Cycle	$0.5 \times V_{IO}$	45	50	55	%
V_{OH}	Output Voltage HIGH	$I_{OH} = 1\text{ mA}$	$0.8 \times V_{IO}$	--	--	V
V_{OL}	Output Voltage LOW	$I_{OL} = -1\text{ mA}$	--	--	$0.2 \times V_{IO}$	V

Notes:

1. This parameter tracks Reference Crystal characteristics.



Power Supply Electrical Specifications (VDD, V3.3A, VRTC, and VIO)

T_A = 25 °C

Symbol	Description	Conditions	Min	Typ	Max	Unit
V _{DD}	Operating Voltage for VDD	Active Mode	3.0	3.3	3.6	V
V _{3.3A}	Operating Voltage for V3.3A	Active/Suspend Mode	3.0	3.3	3.6	V
V _{RTC}	Operating Voltage for VRTC	In any Mode	2.3	2.9	3.0	V
V _{IO_25M_A}	Operating Voltage for VIO_25M_A	Active Mode	3.0	3.3	3.6	V
V _{IO_25M_B}	Operating Voltage for VIO_25M_B	Active Mode	0.9975	1.05 ²	1.575	V
V _{IO_25M_C}	Operating Voltage for VIO_25M_C	Active Mode	3.0	3.3	3.6	V
I _{VRTC} ¹	V _{RTC} current consumption during Hibernate Mode	V _{DD} = 0 V, V _{3.3A} = 0 V, V _{RTC} = 2.9 V	--	1.8	--	μA
I _{V3.3A} ¹	V _{3.3A} current consumption during Active and/or Suspend Mode	V _{DD} = 3.3 V or 0 V, V _{3.3A} = 3.3 V, V _{RTC} = 2.9 V	--	7	--	μA
I _{VDD} ¹	V _{DD} current consumption during Active Mode (all outputs active)	V _{DD} = 3.3 V, V _{3.3A} = 3.3 V, V _{RTC} = 2.9 V	--	2.5	--	mA
V _{OUT}	V _{OUT} Output Voltage Level	Hibernate Mode	--	V _{RTC} - 0.5	--	V
		Active/Suspend Mode	--	V _{3.3A} - 0.5	--	V
I _{OUT} ¹	Current Output on V _{OUT}	In any Mode	--	2.5	--	μA

Notes:

1. Average current depends on application and output load.
2. Recommended as the clock source for the Intel PCH or ICH.



Full State Table: Power Modes, Power Supply & Output Controls per Clock Output Functions

Power Mode (Power State)	Power Supply ¹ & Output Control ²						Clock Output & V _{OUT} (typ)					Current (typ)		
	V _{RTC}	V _{3.3A}	V _{DD}	V _{IO_25M_A}	V _{IO_25M_B}	V _{IO_25M_C}	32.768K	25M_A	25M_B	25M_C	V _{OUT} [V]	I _{VRTC} [μA]	I _{V3.3A} [μA]	I _{VDD} [mA]
Hibernate Mode	H	L ⁴	L ⁴	L ⁴	L ⁴	L ⁴	ON	OFF	OFF	OFF	V _{RTC} - 0.5	1.8	0	0
Suspend Mode	H	H	L ⁴	L ⁴	L ⁴	L ⁴	ON	OFF	OFF	OFF	V _{3.3A} - 0.5	0	7	0
Active Mode	H	H	H	L	V	V	ON	OFF	.. ³	.. ³	V _{3.3A} - 0.5	0	0	2.5
				H	V	V	ON	ON	.. ³					
				V	L	V	ON	.. ³	OFF	.. ³				
				V	H	V	ON	ON	.. ³					
				V	V	L	ON	.. ³	.. ³	OFF				
				V	V	H	ON	.. ³	.. ³	ON				

Notes:

- Refer to the Power Supply Electrical Specifications (V_{DD}, V_{3.3A}, V_{RTC}, and V_{IO}) for respective voltage ranges. Please note that (V_{RTC} = 2.9 V & V_{3.3A} = 0 V & V_{DD} = 3.3 V) is an illegal condition.
- States
 - L: Grounded
 - H: Powered
 - V: Valid, must be L or H
 - X: Don't care
- This output could be ON or OFF depending on the associated V_{IO}.
 - ON: when V_{IO} = H
 - OFF: when V_{IO} = L
- May be floated.



VRTC Battery Recommendations

Non-rechargeable Coin Cell Battery

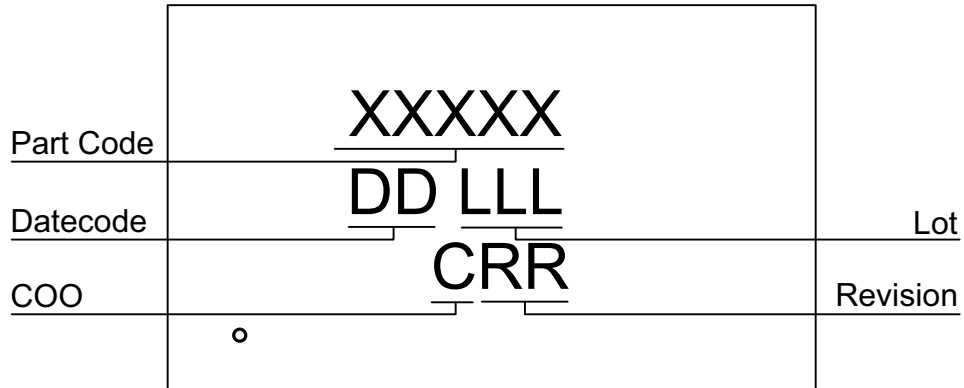
Battery Part Number	SLG3NB3331 32.768 kHz Lifetime ¹ [years]	Capacity ² [mAH]	Voltage Range ² [V]			Max Discharge Current ² [mA]		Dimensions ² [mm]	
			95%	50%	5%	Constant	Peak	Dia.	Height
CR2032 ³	5.8 to 6.4	220 to 240	3	2.9	2.3	4 to 6	20	20.0	3.2

Notes:

1. Lifetime calculation assumes 4.3 μA (typ) current consumption for 32.768 kHz (RTC) operation, where 4.3 μA (typ) is the sum of 1.8 μA (typ), consumed by the SLG3NB3331 to provide RTC clock, and 2.5 μA (typ), consumed by the RTC logic device (provided via VOUT pin).
2. Exact values depend on the battery manufacturer (Refer to the battery datasheet for details)
3. Lithium Manganese Dioxide non-rechargeable battery



Package Top Marking System Definition

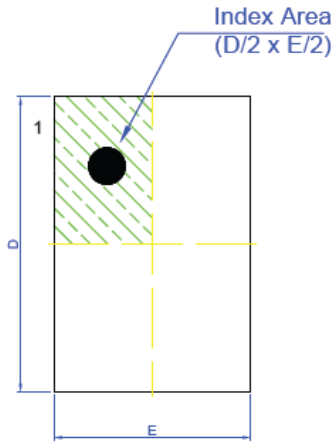


- XXXXX – Part ID Field: identifies the specific device configuration
- DD – Date Code Field: Coded date of manufacture
- LLL – Lot Code: Designates Lot #
- C – Assembly Site/COO: Specifies Assembly Site/Country of Origin
- RR – Revision Code: Device Revision

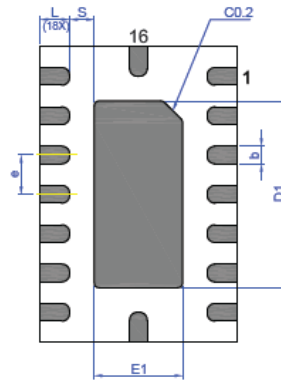


Package Drawing and Dimensions

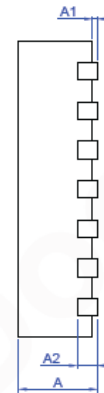
16 Lead TQFN Package



TOP VIEW



BOTTOM VIEW



SIDE VIEW



VIEW "A"

Unit: mm

Symbol	Min	Nom.	Max	Symbol	Min	Nom.	Max
A	0.700	0.750	0.800	D	2.950	3.000	3.050
A1	0.000	-	0.050	E	1.950	2.000	2.050
A2	0.203 REF			D1	1.85	1.90	1.95
b	0.13	0.18	0.23	E1	0.85	0.90	0.95
e	0.400 BSC			L	0.25	0.30	0.35
S	0.18	-	-				

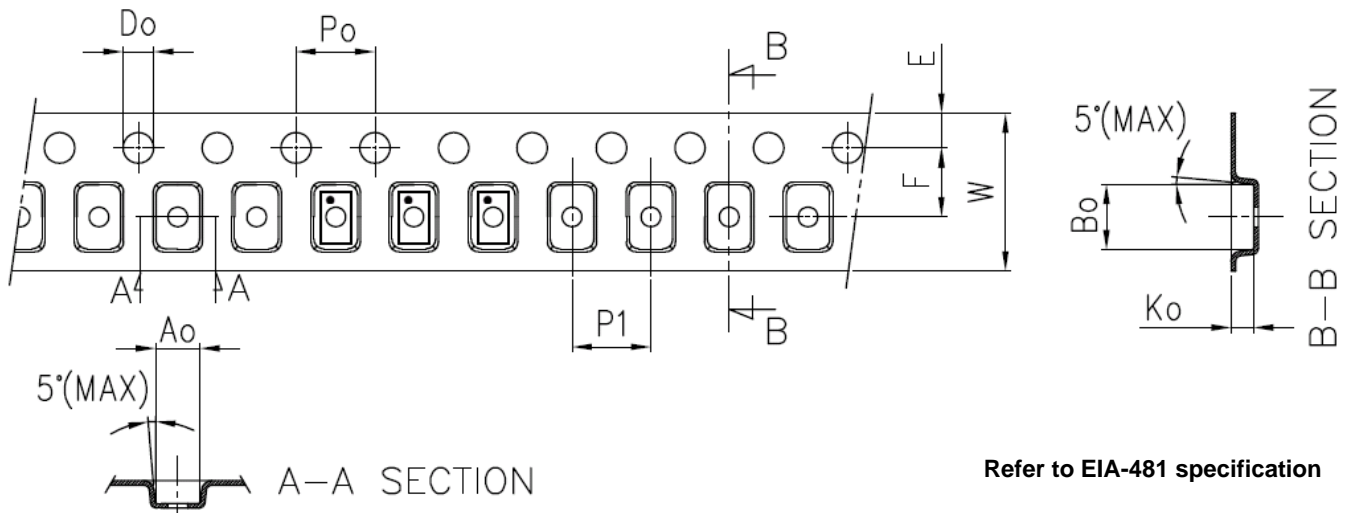


Tape and Reel Specifications

Package Type	# of Pins	Nominal Package Size [mm]	Max Units		Reel & Hub Size [mm]	Leader (min)		Trailer (min)		Tape Width [mm]	Part Pitch [mm]
			per Reel	per Box		Pockets	Length [mm]	Pockets	Length [mm]		
TQFN 16L Green	16	2 x 3 x 0.75	3,000	3,000	178 / 60	42	168	42	168	8	4

Carrier Tape Drawing and Dimensions

Package Type	Pocket BTM Length	Pocket BTM Width	Pocket Depth	Index Hole Pitch	Pocket Pitch	Index Hole Diameter	Index Hole to Tape Edge	Index Hole to Pocket Center	Tape Width
	A0	B0	K0	P0	P1	D0	E	F	W
TQFN 16L Green	2.25	3.3	1.1	4	4	1.55	1.75	3.5	8



Recommended Reflow Soldering Profile

Please see IPC/JEDEC J-STD-020: latest revision for reflow profile based on package volume of 4.50 mm³ (nominal). More information can be found at www.jedec.org.



Ordering Information

Part Number	Type	Production Flow
SLG3NB3331V	16-pin TQFN	Extended Commercial, -40 °C to 85 °C
SLG3NB3331VTR	16-pin TQFN (Tape and Reel)	Extended Commercial, -40 °C to 85 °C



Silego Website & Support

Silego Technology Website

Silego Technology provides online support via our website at <http://www.silego.com/>. This website is used as a means to make files and information easily available to customers.

For more information regarding Silego Green products, please visit:

GreenPAK

<http://greenpak.silego.com/>
<http://greenpak2.silego.com/>
<http://greenpak3.silego.com/>

GreenFET

<http://greenfet.silego.com/>
<http://greenfet2.silego.com/>
<http://greenfet3.silego.com/>

GreenCLK

<http://greenclock.silego.com/>
<http://greenclock2.silego.com/>
<http://greenclock3.silego.com/>

Products are also available for purchase directly from Silego at the Silego Online Store at <http://store.silego.com/>.

Silego Technical Support

Datasheets and errata, application notes and example designs, user guides, and hardware support documents and the latest software releases are available at the Silego website or can be requested directly at info@silego.com.

For specific GreenPAK design or applications questions and support please send e-mail requests to GreenPAK@silego.com

Users of Silego products can receive assistance through several channels:

Online Live Support

Silego Technology has live video technical assistance and sales support available at <http://www.silego.com/>. Please ask our live web receptionist to schedule a 1 on 1 training session with one of our application engineers.

Contact Your Local Sales Representative

Customers can contact their local sales representative or field application engineer (FAE) for support. Local sales offices are also available to help customers. More information regarding your local representative is available at the Silego website or send a request to info@silego.com

Contact Silego Directly

Silego can be contacted directly via e-mail at info@silego.com or user submission form, located at the following URL:

<http://support.silego.com/>

Other Information

The latest Silego Technology press releases, listing of seminars and events, listings of world wide Silego Technology offices and representatives are all available at <http://www.silego.com/>

THIS PRODUCT HAS BEEN DESIGNED AND QUALIFIED FOR THE CONSUMER MARKET. APPLICATIONS OR USES AS CRITICAL COMPONENTS IN LIFE SUPPORT DEVICES OR SYSTEMS ARE NOT AUTHORIZED. SILEGO TECHNOLOGY DOES NOT ASSUME ANY LIABILITY ARISING OUT OF SUCH APPLICATIONS OR USES OF ITS PRODUCTS. SILEGO TECHNOLOGY RESERVES THE RIGHT TO IMPROVE PRODUCT DESIGN, FUNCTIONS AND RELIABILITY WITHOUT NOTICE.