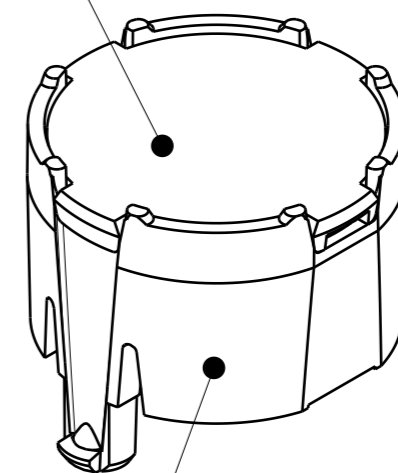
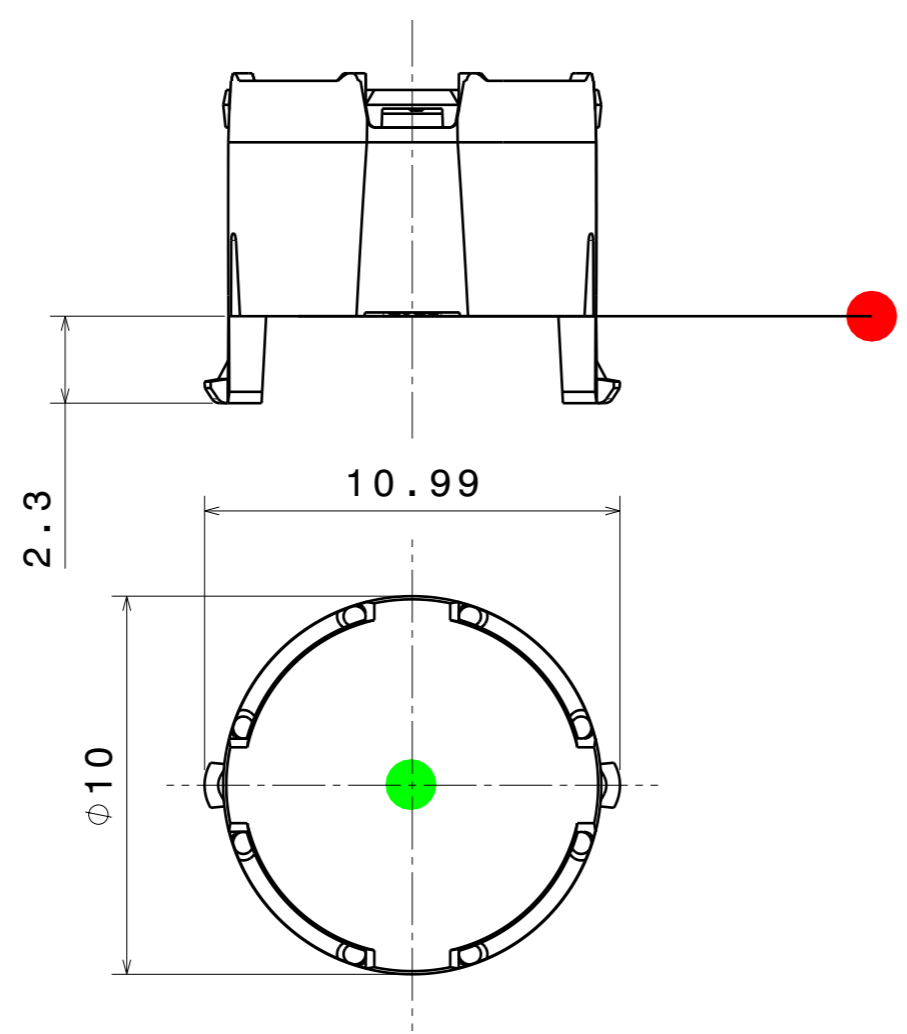
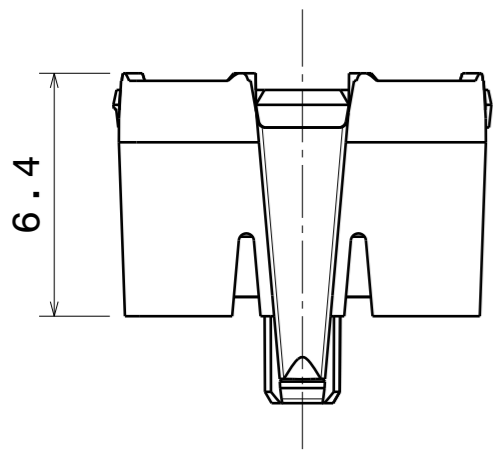
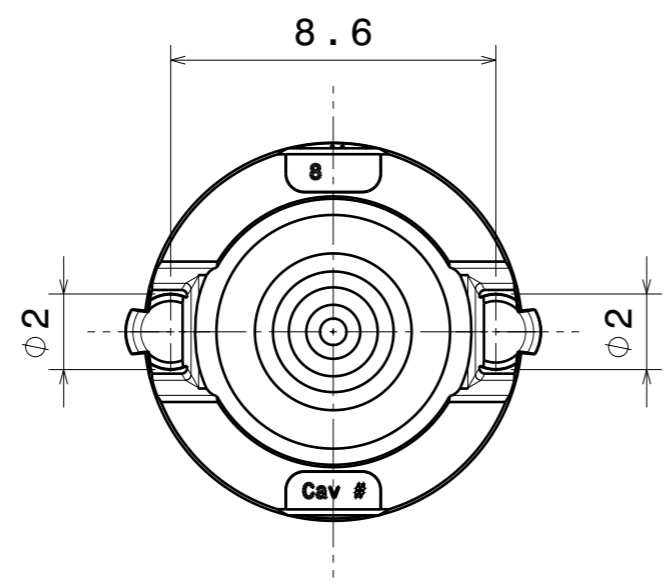


F16553\_LISA3-W



F18197\_LISA3-HLD2-CLIP16

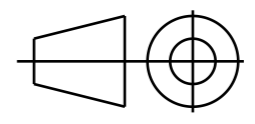


**MECHANICAL DRAWING**

PRODUCT  
**FP18203\_LISA3CSP-W-CLIP16**

Plastic moulding general tolerances according to DIN 16901-130 and applies if not otherwise shown in the drawing. Silicone moulding general tolerances according to ISO 3302-1 Class M3 and applies if not otherwise shown in the drawing.

FIRST ANGLE PROJECTION:



SCALE 5:1

WEIGHT -

**LEDiL**®

This drawing is the property of LEDiL Oy. It may not be copied or otherwise distributed without prior written permission from LEDiL Oy.

A3 SHEET 1/1

Notes	
<span style="color: red;">●</span>	PCB or heatsink level.
<span style="color: green;">●</span>	LED location
	Ensure LED fitting from a product specific 3D model available from <a href="http://www.ledil.com">www.ledil.com</a>
	For more details about installation please see LEDiL Installation Guide on <a href="http://www.ledil.com">www.ledil.com</a>