

2878- * * - * - *

MATERIAL CODE (.27)/.0106 THK

A=BRASS
B=PHOS BRONZE

OPTION CODE

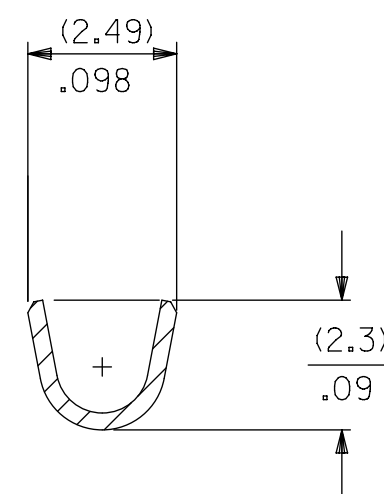
A= OVERALL PLTGS, AND STD GOLD LOC
B= LARGER SELECT GOLD LOCATION

WINDING SPEC.

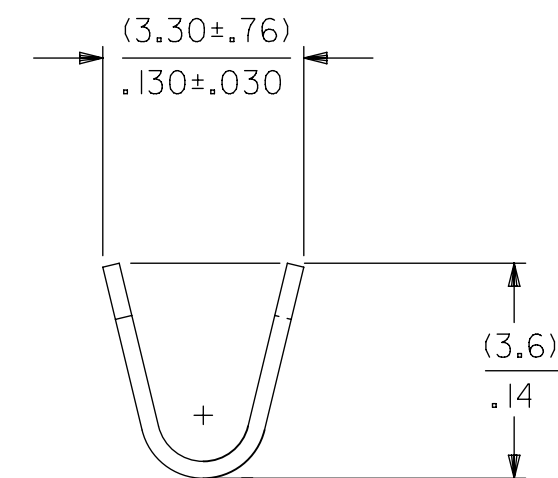
A=PER WINDING DETAIL A
B=PER WINDING DETAIL B
L=LOOSE

PLATING CODE

(P909) OVERALL HOT TIN DIP: (0.00254)/.000100 MIN.
(550) SELECT GOLD: (0.00038)/.000015 MIN.
OVERALL GOLD FLASH: (0.00005)/.000002 MIN.
OVERALL NICKEL UNDERPLATE: (0.00076)/.000030 MIN.
(555) SELECT GOLD: (0.00038)/.000015 MIN.
OVERALL NICKEL UNDERPLATE: (0.00076)/.000030 MIN.



SECTION A-A
BACKGROUND OMITTED



BACKGROUND OMITTED

1. MATERIAL: SEE LEGEND
2. FINISH: SEE LEGEND
3. THIS PART CONFORMS TO PRODUCT SPECIFICATIONS PS-08-50, PS-172160-0001
4. PACKAGING SPECIFICATION: LOOSE FORM: PK-2759-001
CHAIN FORM: PK-2759-002
5. CRIMP ACCEPTS 18 TO 20 AWG WIRE WITH (2.79)/.110 MAX. INSULATION DIAMETER WHEN USED WITH 172159 SERIES HOUSINGS, (2.54)/.100 MAX INSUATION DIAMETER WHEN USED WITH 2139 OR 3069 SERIES HOUSINGS. CRIMP ACCEPTS (3.00)/.118 MAX. INSULATION DIAMETER WITH SPECIAL TOOLING.
6. (0.86±0.05)/.034±.002 IS AN OPTIONAL DESIGN
7. PARTS CONFORM TO CLASS B REQUIREMENTS OF COSMETIC SPECIFICATION PS-45499-002
8. MATING TERMINALS TO ROUND PINS IS NOT RECOMMENDED

THIS DRAWING CONTAINS INFORMATION THAT IS PROPRIETARY TO MOLEX ELECTRONIC TECHNOLOGIES, LLC AND SHOULD NOT BE USED WITHOUT WRITTEN PERMISSION									
SYMBOLS		DIMENSION UNITS		SCALE		CURRENT REV DESC: NOTE 4 UPDATED			
▽ = 0	MM/IN	1:1							
▽ = 0	GENERAL TOLERANCES (UNLESS SPECIFIED)								
▽ = 0		MM	INCH	EC NO: 605479					
▽ = 0	4 PLACES	±	±	DRWN: SS06		2018/09/12			
▽ = 0	3 PLACES	±	± 0.005	CHK'D: ISHWARG		2018/10/05			
▽ = 0	2 PLACES	± 0.13	± 0.01	APPR: ISHWARG		2018/10/05			
▽ = 0	1 PLACE	± 0.25	±	INITIAL REVISION:					
▽ = 0	0 PLACES	±	±	DRWN: COMSTOCK		1988/11/29			
▽ = 0	ANGULAR TOL	± 0.5°		APPR: FSMITH		2015/02/18			
▽ = 0	DRAFT WHERE APPLICABLE MUST REMAIN WITHIN DIMENSIONS		THIRD ANGLE PROJECTION		DRAWING	SERIES	MATERIAL NUMBER	CUSTOMER	SHEET NUMBER
▽ = 0					C-SIZE	2878	SEE CHART	GENERAL MARKET	1 OF 2

molex

TERMINAL,DBL.CANTILEVER
KK CRIMP TYPE BIFURCATED

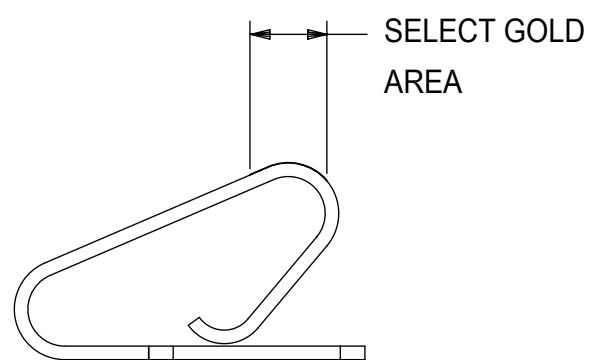
PRODUCT CUSTOMER DRAWING

DOCUMENT NUMBER	DOC TYPE	DOC PART	REVISION
SD-2878	PSD	001	AM2

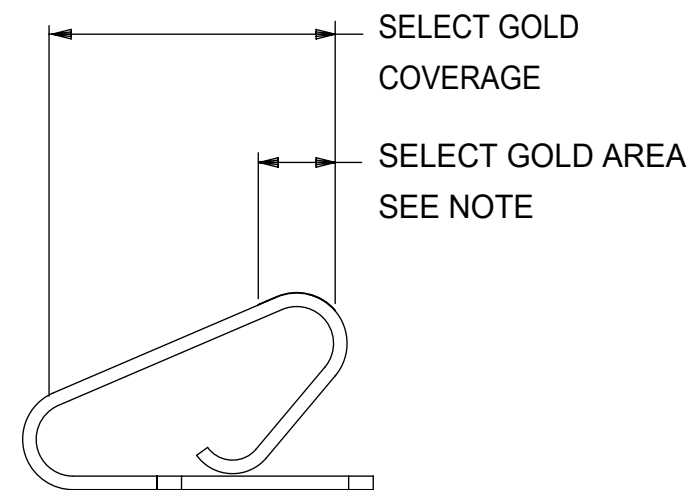
2878-A-A(*)*	
PART NO.	ENG. NO.
08-50-0115	2878-A-A(P909)B
08-50-0116	2878-A-A(P909)L

2878-B-A(*)*	
PART NO.	ENG. NO.
08-52-0126 *	2878-B-A(P909)B
08-52-0127 *	2878-B-A(P909)L
08-65-0118 *	2878-B-A(555)B
08-65-0119 *	2878-B-A(555)L
08-58-0127 *	2878-B-A(550)B
08-58-0128 *	2878-B-A(550)L

2878-A-B(*)*	
PART NO.	ENG. NO.
08-55-0138	2878-A-B(555)B
	2878-A-B(555)L

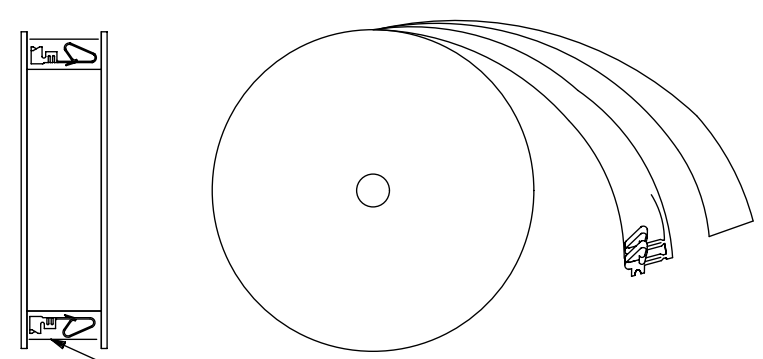


GOLD LOCATION OPTION A

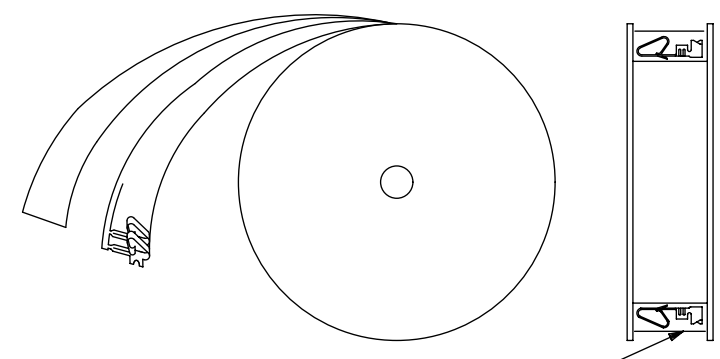


NOTE: GOLD IS SPECIFIED THICKNESS IN SELECT GOLD AREA ONLY.

GOLD LOCATION OPTION B



WINDING DETAIL A



WINDING DETAIL B

THIS DRAWING CONTAINS INFORMATION THAT IS PROPRIETARY TO MOLEX ELECTRONIC TECHNOLOGIES, LLC AND SHOULD NOT BE USED WITHOUT WRITTEN PERMISSION																																					
SYMBOLS	DIMENSION UNITS	SCALE	CURRENT REV DESC: NOTE 4 UPDATED																																		
∇ = 0	MM/IN	1:1	GENERAL TOLERANCES (UNLESS SPECIFIED) EC NO: 605479 DRWN: SS06 2018/09/12 CHK'D: ISHWARG 2018/10/05 APPR: ISHWARG 2018/10/05 INITIAL REVISION: DRWN: COMSTOCK 1988/11/29 APPR: FSMITH 2015/02/18																																		
∇ = 0																																					
∇ = 0	MM	INCH	<table border="0"> <tr><td colspan="4">molex</td></tr> <tr><td colspan="4">TERMINAL,DBL.CANTILEVER KK CRIMP TYPE BIFURCATED</td></tr> <tr><td colspan="4">PRODUCT CUSTOMER DRAWING</td></tr> <tr> <td>DOCUMENT NUMBER</td> <td>DOC TYPE</td> <td>DOC PART</td> <td>REVISION</td> </tr> <tr> <td>SD-2878</td> <td>PSD</td> <td>001</td> <td>AM2</td> </tr> <tr> <td>MATERIAL NUMBER</td> <td>CUSTOMER</td> <td colspan="2">SHEET NUMBER</td> </tr> <tr> <td>SEE CHART</td> <td>GENERAL MARKET</td> <td colspan="2">2 OF 2</td> </tr> </table>							molex				TERMINAL,DBL.CANTILEVER KK CRIMP TYPE BIFURCATED				PRODUCT CUSTOMER DRAWING				DOCUMENT NUMBER	DOC TYPE	DOC PART	REVISION	SD-2878	PSD	001	AM2	MATERIAL NUMBER	CUSTOMER	SHEET NUMBER		SEE CHART	GENERAL MARKET	2 OF 2	
molex																																					
TERMINAL,DBL.CANTILEVER KK CRIMP TYPE BIFURCATED																																					
PRODUCT CUSTOMER DRAWING																																					
DOCUMENT NUMBER	DOC TYPE	DOC PART								REVISION																											
SD-2878	PSD	001	AM2																																		
MATERIAL NUMBER	CUSTOMER	SHEET NUMBER																																			
SEE CHART	GENERAL MARKET	2 OF 2																																			
∇ = 0	4 PLACES	±	±	∇ = 0																																	
∇ = 0	3 PLACES	±	± 0.005	∇ = 0																																	
∇ = 0	2 PLACES	± 0.13	± 0.01	∇ = 0																																	
∇ = 0	1 PLACE	± 0.25	±	∇ = 0																																	
∇ = 0	0 PLACES	±	±	∇ = 0																																	
∇ = 0	ANGULAR TOL	± 0.5 °	∇ = 0																																		
∇ = 0	DRAFT WHERE APPLICABLE MUST REMAIN WITHIN DIMENSIONS	THIRD ANGLE PROJECTION	DRAWING	SERIES	MATERIAL NUMBER	CUSTOMER	SHEET NUMBER																														
∇ = 0			C-SIZE	2878	SEE CHART	GENERAL MARKET	2 OF 2																														