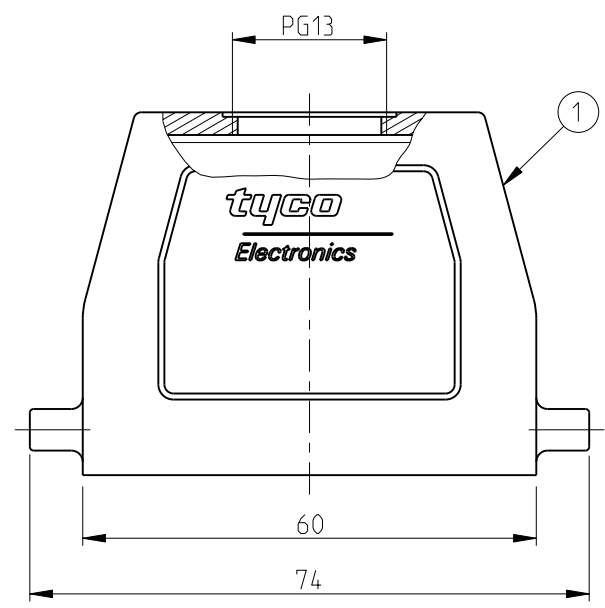


THIS DRAWING IS UNPUBLISHED. RELEASED FOR PUBLICATION 1998
 © COPYRIGHT 1998 BY TYCO ELECTRONICS CORPORATION. ALL RIGHTS RESERVED.

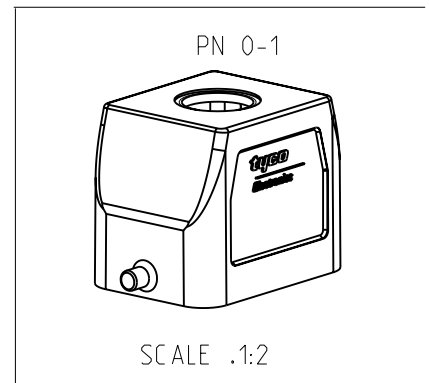
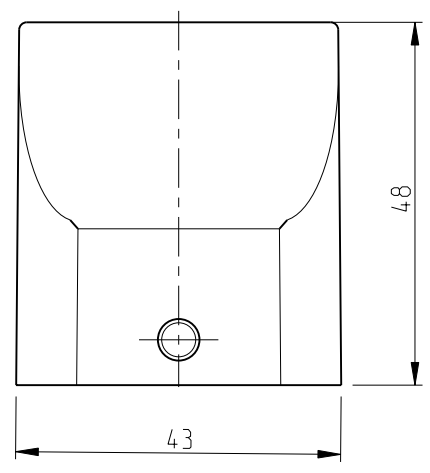
LOC	DIST	REVISIONS			
P	LTR	DESCRIPTION	DATE	DWN	APVD
A1					
	A2	Released as per ECR-07-030416	17.12.07	SP	TS

NOTE

- 1 Material: Housing: Aluminium diecasting alloy
- 2 Surface:- Powder Varnish-Grey
- 3 Varnish on the inside not necessary
- 4 Packaging
Packaging quantity: 5 pieces in a box



PN 0-1



1	DESCRIPTION	MATERIAL	SURFACE	COLOR	ITEM NO	NOTES
1	Hood.HB6.Sto	Aluminium	-	Grey	1	-
0-1	ORDERING TEXT HB.6.STO.1.13.G					

THIS DRAWING IS A CONTROLLED DOCUMENT FOR TYCO ELECTRONICS CORPORATION
 IT IS SUBJECT TO CHANGE AND THE CONTROLLING ENGINEERING ORGANIZATION
 SHOULD BE CONTACTED FOR THE LATEST REVISION.

DIMENSIONS: mm	TOLERANCES UNLESS OTHERWISE SPECIFIED: n-ISO 8015: n-ISO 2768-mH-E: n-QJN 16901-120	DWN Schneider 28.02.01	CHK Schweiger 28.02.01	APVD	NAME Hood HB.6.STO.1.13.G
	0 PLC ± 1 PLC ± 2 PLC ± 3 PLC ± 4 PLC ± ANGLES ±	PRODUCT SPEC	APPLICATION SPEC	WEIGHT	SIZE A3
MATERIAL	FINISH	CUSTOMER DRAWING	SCALE 1:1	SHEET 1 OF 1	RESTRICTED TO REV A2

Tyco Electronics		Tyco Electronics.AMP.GmbH D-53819.Neunkirchen.Germany	
SIZE A3	CAGE CODE 00779	DRAWING NO C-1102064	RESTRICTED TO
CUSTOMER DRAWING		SCALE 1:1	SHEET 1 OF 1
		REV A2	