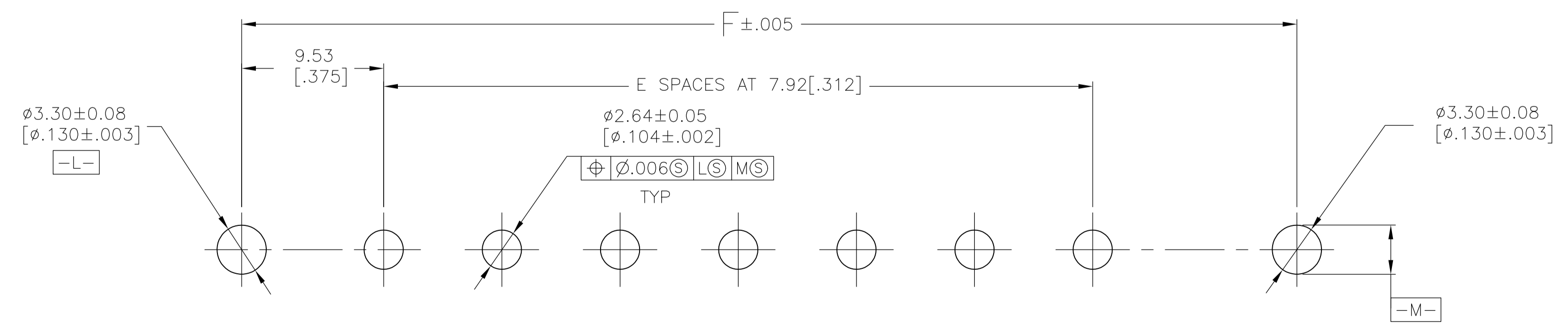
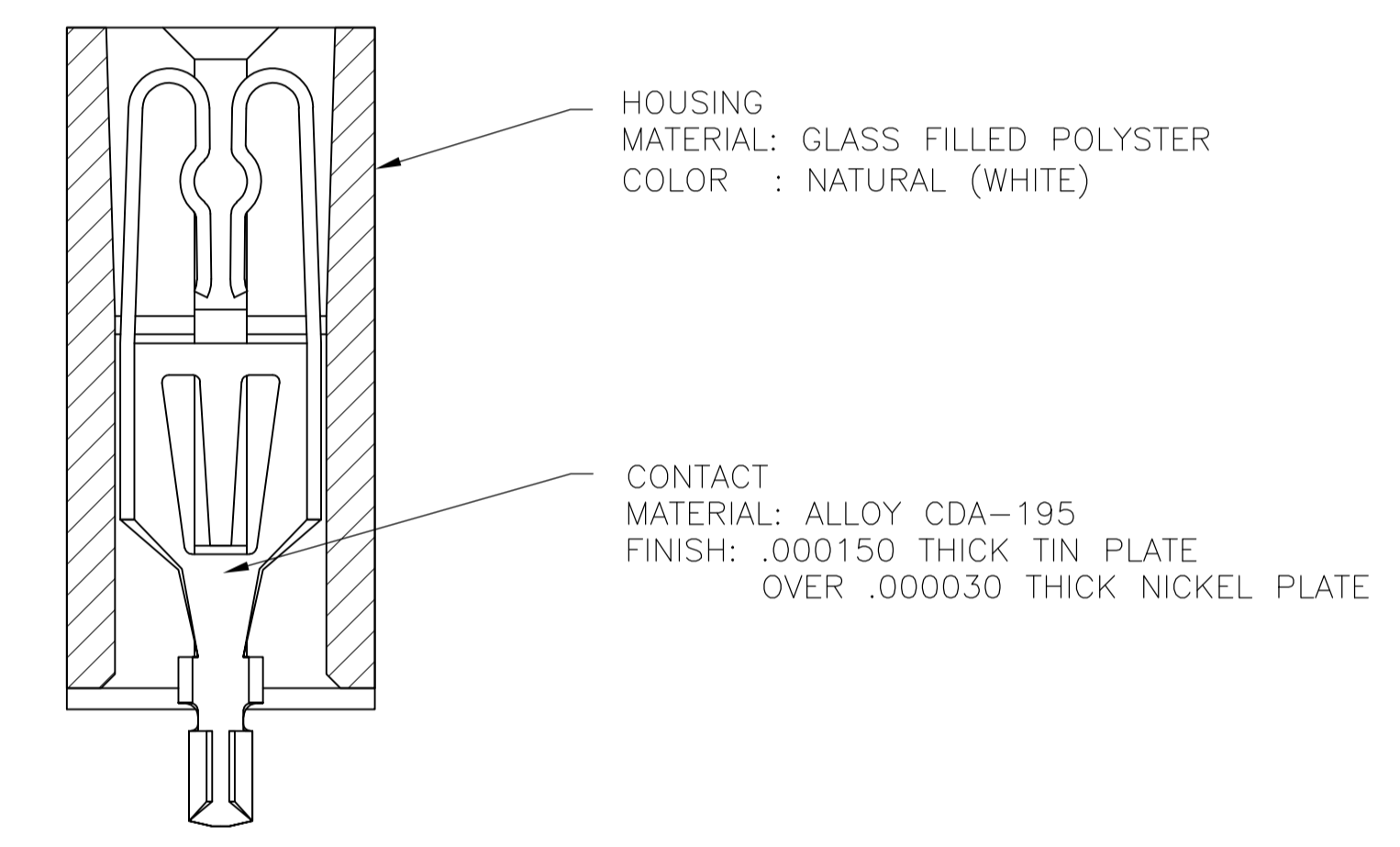


1. A 1/16" THICK DUMMY PC BOARD SHOULD BE INSERTED DURING SOLDERING.
2. MEASURE ACROSS MOUNTING EARS. MAY GOTO .020 OVER NOMINAL AT TOP OF THE HOUSING.
3. AVOID CORING OPTION.
4. MATTE TIN PLATED POST.
5. OBSOLETE PARTS: OBSOLETE CIS STREAMLINING PER D.RENAUD/D.SINISI



OBSOLETE	4.346	11	3.832	3.972	4.346	4.780	12	5-531353-9
5	3.722	9	3.208	3.348	3.722	4.156	10	5-531353-8
OBSOLETE	3.410	8	2.896	3.036	3.410	3.844	9	5-531353-7
	3.098	7	2.584	2.724	3.098	3.532	8	5-531353-6
	2.474	5	1.960	2.100	2.474	2.908	6	5-531353-5
5	2.162	4	1.648	1.788	2.162	2.593	5	5-531353-4
	1.850	3	1.336	1.476	1.850	2.284	4	5-531353-3
5	1.538	2	1.024	1.164	1.538	1.972	3	5-531353-2
	1.226	1	0.712	0.852	1.226	1.660	2	5-531353-1
	4.346	11	3.832	3.972	4.346	4.780	12	531353-9
5	3.722	9	3.208	3.348	3.722	4.156	10	531353-8
	3.410	8	2.896	3.036	3.410	3.844	9	531353-7
	3.098	7	2.584	2.724	3.098	3.532	8	531353-6
	2.474	5	1.960	2.100	2.474	2.908	6	531353-5
5	2.162	4	1.648	1.788	2.162	2.593	5	531353-4
	1.850	3	1.336	1.476	1.850	2.284	4	531353-3
5	1.538	2	1.024	1.164	1.538	1.972	3	531353-2
	1.226	1	0.712	0.852	1.226	1.660	2	531353-1
	F	E	D	C	B	A	NO. OF POSN	PART NUMBER

THIS DRAWING IS A CONTROLLED DOCUMENT. **STE** TE Connectivity

DIMENSIONS: mm [INCHES] TOLERANCES UNLESS OTHERWISE SPECIFIED:

0 PLC	± -
1 PLC	± -
2 PLC	± -
3 PLC	± .005
4 PLC	± -
ANGLES	± °

MATERIAL: SEE CALLOUTS FINISH: SEE CALLOUTS WEIGHT: - SIZE: A1 CAGE CODE: 00779 DRAWING NO: 531353 RESTRICTED TO: -

CUSTOMER DRAWING SCALE: 4:1 SHEET: 1 OF 1 REV: H4