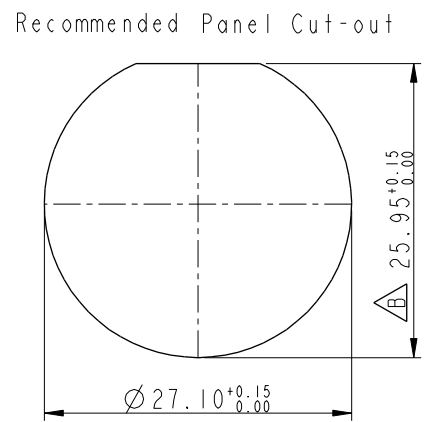
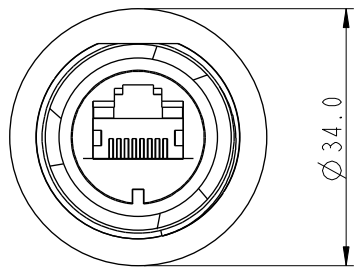
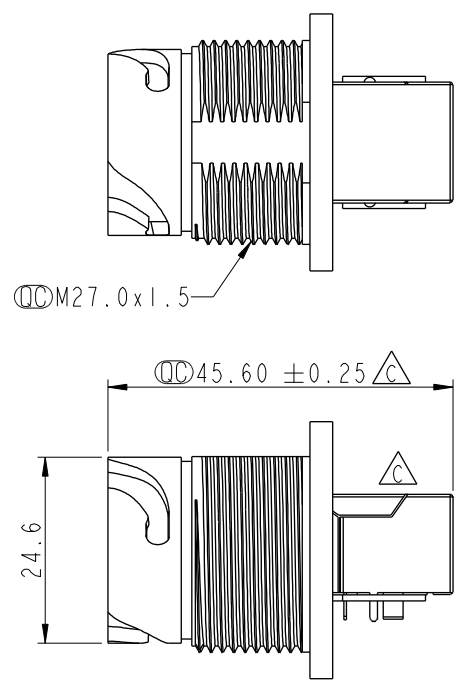
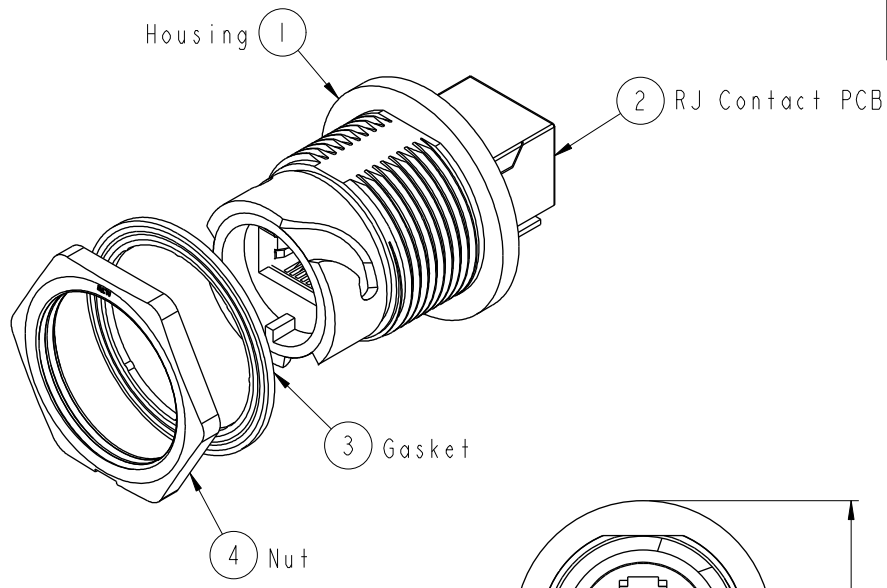


THIS DOCUMENT IS SUBJECT TO CHANGE WITHOUT NOTICE. IT IS CONFIDENTIAL AND A PROPERTY OF AMPHENOL LTW. DISCLOSURE TO THIRD PARTY HAS TO BE AUTHORIZED BY AMPHENOL LTW.

REV.	ECN NO.	DATE	SIGN	DESCRIPTION
C	LEN13A0047	2013/10/15	Raison	Modify Jack PN, Note Panel THK
D	LEN1610286	2016/01/13	Ruru	Change Note
E	CI90405	2019/03/18	Ruru	Modify Note



ALTW
 CONFIDENTIAL
 2019-03-18
 R&D DEPT.

- Note: \triangle
- * \varnothing Important Dimension
 - * Waterproof Rate: IP67, Unmated
 - * Housing: Thermoplastic, Black
 - * RJ45 Jack: Cat 5e, Shield
 - \triangle * Gasket: Rubber, Black
 - * Nut: Thermoplastic, Black
 - * Contact: Copper Alloy, Gold Plated
 - \triangle * For Panel Thickness Max: 9.0mm
 - \triangle * Screw torsion value range: 8~15kgf-cm
 - \triangle * Temperature Range: -40°C to 105°C
 - \triangle * All Parts Should Meet RoHS Compliant
 - * Gasket and Nut are packed separately in PE bags

UNIT: mm		
TOLERANCE	.X	± 0.25
	.XX	± 0.1
	.XXX	± 0.05
ANGLES		$\pm 1^\circ$

TITLE RJ45 ODVA, PANEL, FRONT LOCK UNMATED WATERPROOF			
SCALE	SIZE	SHEET	OF
1:1	A4	1	1
REV.	WC-REV.	\varnothing : Inspection item	
E	B.8		

Amphenol LTW
 安費諾亮泰企業股份有限公司

ITEM NO	DRAWN BY	DATE
ROP-5SPFFH-TCU7001	Ruru	2019-03-18
DWG NO	CHECKED BY	DATE
ROP-5SPFFH-TCU7001	Rita	2019-03-18
CUSTOMER	APPROVED BY	DATE
ALTW	Max	2019-03-18