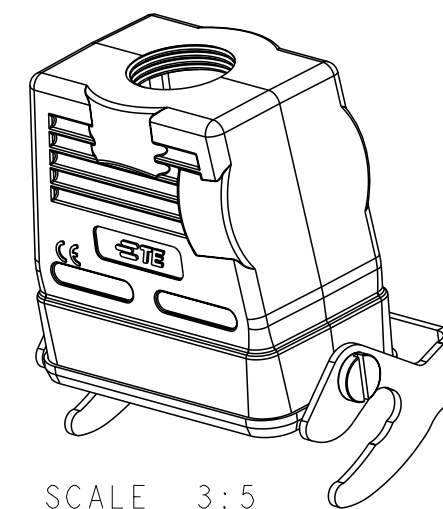
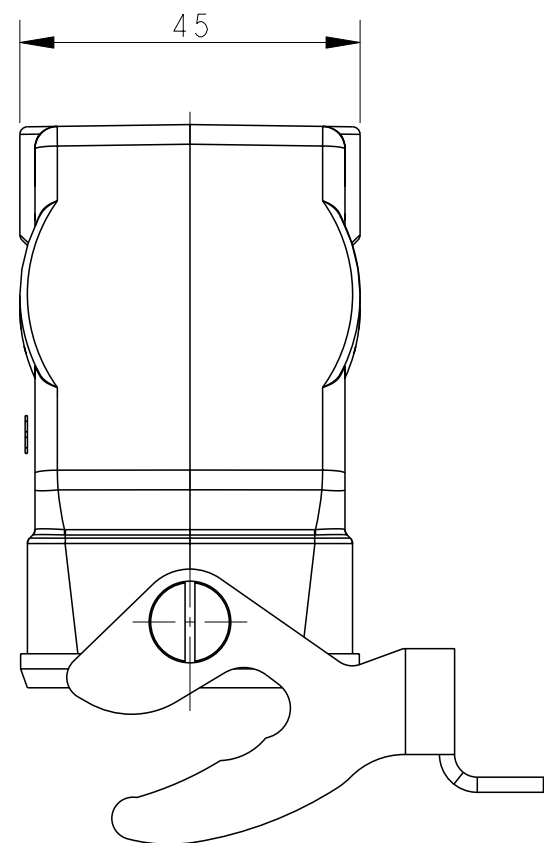
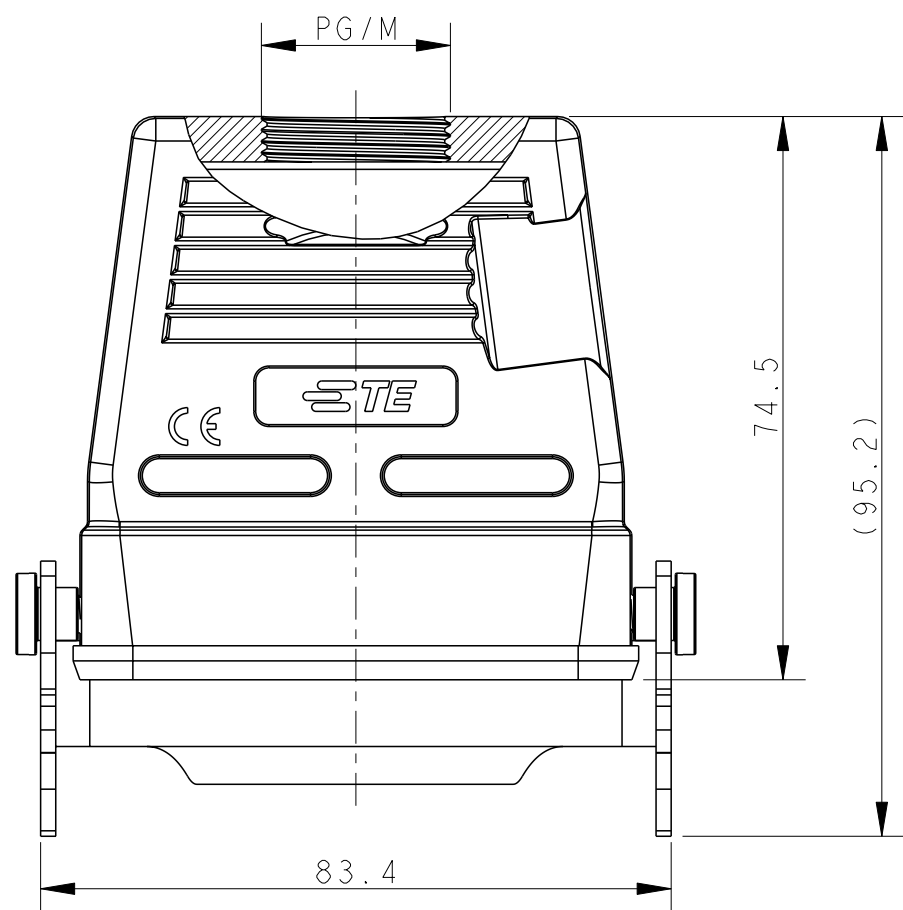


THIS DRAWING IS UNPUBLISHED. RELEASED FOR PUBLICATION 20

© COPYRIGHT 20 BY - ALL RIGHTS RESERVED.

REVISIONS

P	LTR	DESCRIPTION	DATE	DWN	APVD
	A	INITIAL RELEASE	08JUL2015	DL	CW
	B	ECR-20-008181	29JUL2020	WQR	CW
	B1	ECR-21-103925	07JUN2021	WQR	CW



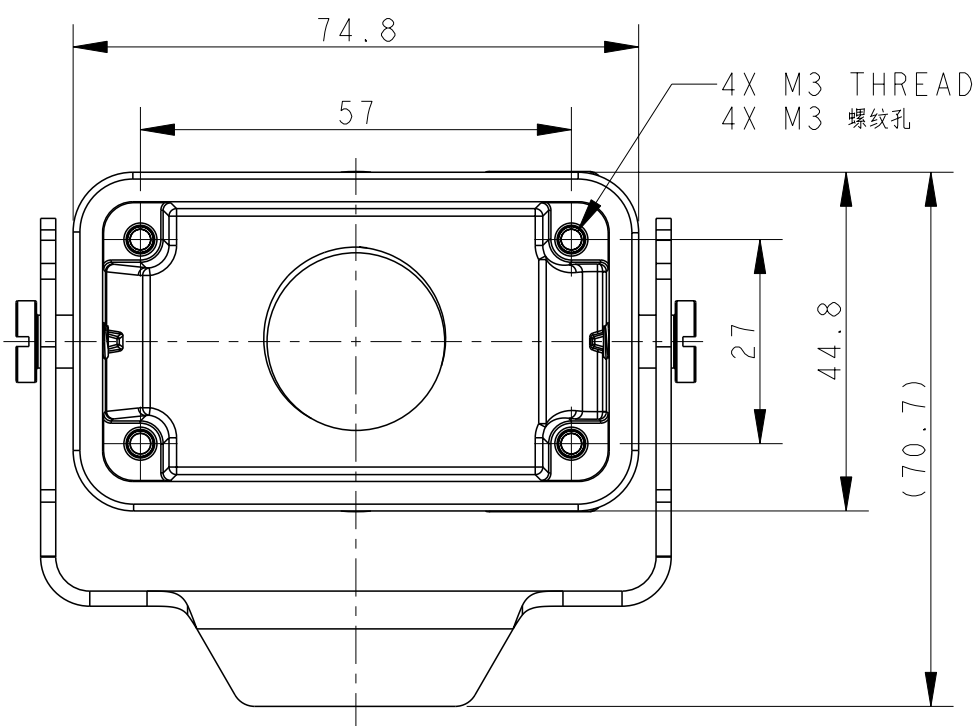
SCALE 3:5

NOTES:


- 1. TECHNICAL CHARACTERISTICS:
 BODY MATERIAL: DIE CAST ALUMINIUM ALLOY
 SURFACE TREATMENT: POWDER-COATED, GRAY
 DEGREE OF PROTECTION: IP65 (MATED)

注释:

- 1. 技术参数:
 主体材料: 铝合金
 表面处理: 粉末喷涂, 灰色
 防护等级: IP65(配合)



T1770103121-000	H10B-TBFH-LB-PG21	PG21
T1770103125-000	H10B-TBFH-LB-M25	M25
T1770103129-000	H10B-TBFH-LB-PG29	PG29
T1770103132-000	H10B-TBFH-LB-M32	M32
ASSEMBLY PART NUMBER	ASSEMBLY PART DESCRIPTION	PG/M

THIS DRAWING IS A CONTROLLED DOCUMENT.		DWN 08JUL2015 DAVID LI	 TE Connectivity NAME H10B-TBFH-LB-PG/M		
DIMENSIONS: mm		CHK 08JUL2015 CHRIS WANG			PRODUCT SPEC 108-137013
TOLERANCES UNLESS OTHERWISE SPECIFIED:		APVD 08JUL2015 XU XIANG			APPLICATION SPEC 114-137013
0 PLC ±- 1 PLC ±- 2 PLC ±- 3 PLC ±- 4 PLC ±- ANGLES ±-		WEIGHT -			SIZE A3
MATERIAL -		FINISH -	RESTRICTED TO	CAGE CODE -	
			CUSTOMER DRAWING	DRAWING NO. C-T17701031XX000	
			SCALE 1:1	SHEET 1 OF 1	
				REV B1	

printed on 17 Jun 2021 11:10 (China Standard Time) from TE343646