

# PGA305 Signal Conditioner and Transmitter for Pressure Sensors

## 1 Features

- Analog Features
  - Analog Front-End for Resistive Bridge Sensors
  - Accommodates Sensor Sensitivities From 1 mV/V to 135 mV/V
  - On-Chip Temperature Sensor
  - Programmable Gain
  - 24-Bit Sigma-Delta Analog-to-Digital Converter for Signal Channel
  - 24-Bit Sigma-Delta Analog-to-Digital Converter for Temperature Channel
  - 14-Bit Output DAC
- Digital Features
  - < 0.1% FSO Accuracy Across Temperature
  - System Response Time < 220 μs
  - Third-Order Offset, Gain, and Nonlinearity Temperature Compensation
  - Diagnostic Functions
  - Integrated EEPROM for Device Operation, Calibration Data and User Data
- Peripheral Features
  - I<sup>2</sup>C interface for Data Reading and Device Configuration
  - One-Wire Interface Enables Communication Through the Power Supply Pin Without Using Additional Lines
  - 4-mA to 20-mA Current Loop Interface
  - Ratiometric and Absolute Voltage Output
  - Power Management Control
  - Analog Low-Voltage Detect
- General Features

- Industrial Temperature Range: –40°C to 150°C
- Power Supply:
  - On-Chip Power Management Accepts Wide Power-Supply Voltage From 3.3 V to 30 V
  - Integrated Reverse-Protection Circuit

## 2 Applications

- Pressure-Sensor Transmitters and Transducers
- Liquid-Level Meter, Flow Meters
- Resistive Field Transmitters

## 3 Description

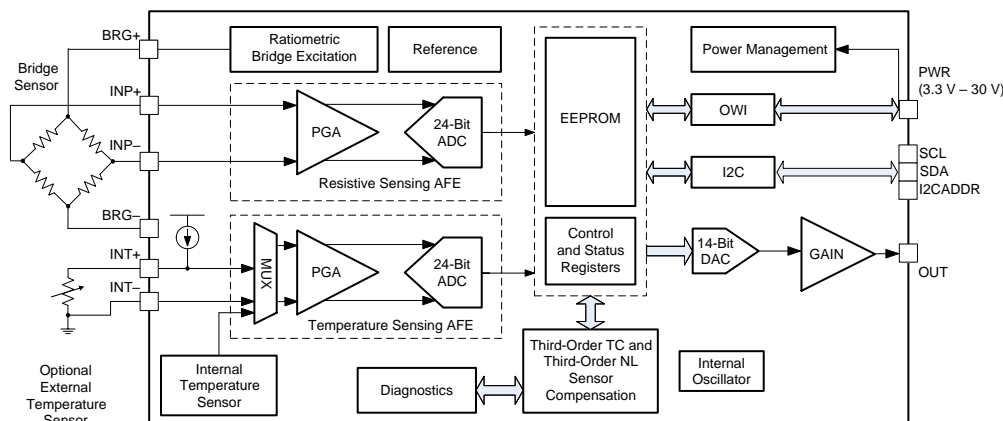
The PGA305 device supplies an interface for piezoresistive and strain-gauge pressure-sense elements. The device is a full system-on-chip (SoC) solution that includes programmable analog front end (AFE), ADC, and digital signal processing that enable direct connection to the sense element. The PGA305 device also includes integrated voltage regulators and an oscillator to minimize the number of external components. The PGA305 device can employ third-order temperature and nonlinearity compensation to achieve high accuracy. The device can also use the integrated I<sup>2</sup>C interface or the one-wire serial interface (OWI) to achieve external communication and simplify the system calibration process. An Integrated DAC supports absolute-voltage, ratiometric-voltage, and 4-mA to 20-mA current-loop outputs.

### Device Information<sup>(1)</sup>

PART NUMBER	PACKAGE	BODY SIZE (NOM)
PAG305	VQFN (36)	6.00 mm x 6.00 mm

(1) For all available packages, see the orderable addendum at the end of the data sheet.

### PGA305 Simplified Block Diagram



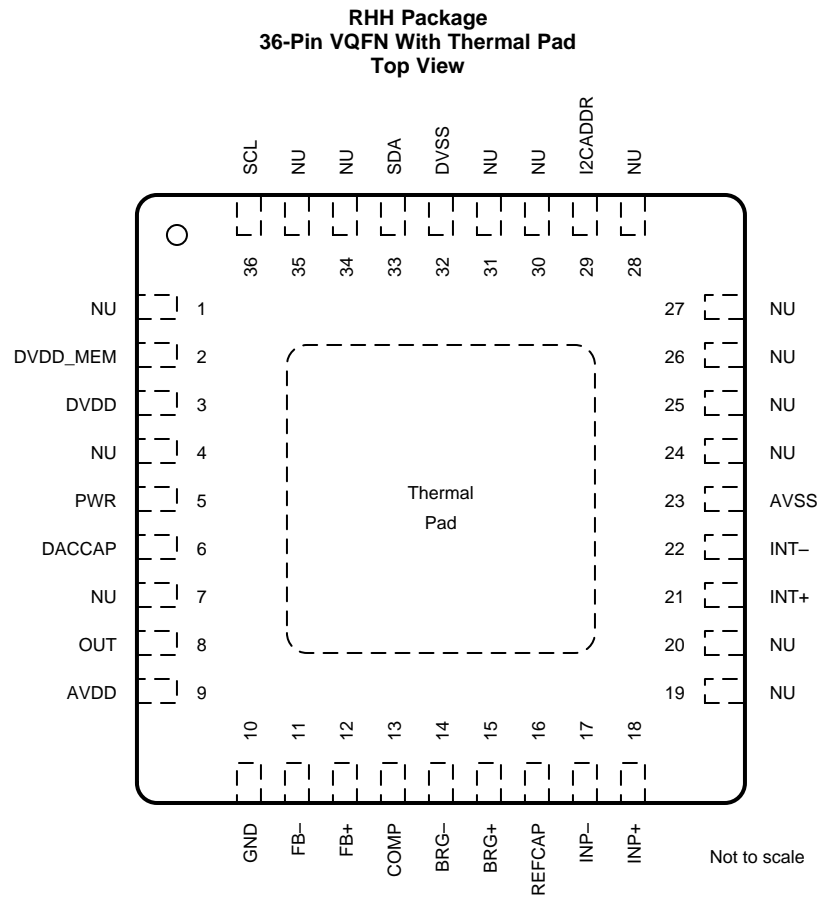
## Table of Contents

<b>1</b>	<b>Features</b> .....	<b>1</b>	6.18	Electrical Characteristics – DAC Gain .....	<b>9</b>
<b>2</b>	<b>Applications</b> .....	<b>1</b>	6.19	Electrical Characteristics – Non-Volatile Memory ..	<b>10</b>
<b>3</b>	<b>Description</b> .....	<b>1</b>	6.20	Electrical Characteristics – Diagnostics .....	<b>10</b>
<b>4</b>	<b>Revision History</b> .....	<b>2</b>	6.21	Operating Characteristics .....	<b>11</b>
<b>5</b>	<b>Pin Configuration and Functions</b> .....	<b>3</b>	6.22	I <sup>2</sup> C Interface Timing Requirements .....	<b>13</b>
<b>6</b>	<b>Specifications</b> .....	<b>5</b>	6.23	Timing Diagram .....	<b>13</b>
6.1	Absolute Maximum Ratings .....	<b>5</b>	6.24	Typical Characteristics .....	<b>14</b>
6.2	ESD Ratings .....	<b>5</b>	<b>7</b>	<b>Detailed Description</b> .....	<b>15</b>
6.3	Recommended Operating Conditions .....	<b>5</b>	7.1	Overview .....	<b>15</b>
6.4	Thermal Information .....	<b>6</b>	7.2	Functional Block Diagram .....	<b>16</b>
6.5	Electrical Characteristics – Reverse Voltage Protection .....	<b>6</b>	7.3	Feature Description .....	<b>17</b>
6.6	Electrical Characteristics – Regulators .....	<b>6</b>	7.4	Device Functional Modes .....	<b>46</b>
6.7	Electrical Characteristics – Internal Reference .....	<b>6</b>	7.5	Register Maps .....	<b>46</b>
6.8	Electrical Characteristics – Bridge Sensor Supply .....	<b>6</b>	<b>8</b>	<b>Application and Implementation</b> .....	<b>64</b>
6.9	Electrical Characteristics – Temperature Sensor Supply .....	<b>7</b>	8.1	Application Information .....	<b>64</b>
6.10	Electrical Characteristics – Internal Temperature Sensor .....	<b>7</b>	8.2	Typical Applications .....	<b>64</b>
6.11	Electrical Characteristics – P Gain (Chopper Stabilized) .....	<b>7</b>	<b>9</b>	<b>Power Supply Recommendations</b> .....	<b>70</b>
6.12	Electrical Characteristics – P Analog-to-Digital Converter .....	<b>8</b>	<b>10</b>	<b>Layout</b> .....	<b>70</b>
6.13	Electrical Characteristics – T Gain (Chopper Stabilized) .....	<b>8</b>	10.1	Layout Guidelines .....	<b>70</b>
6.14	Electrical Characteristics – T Analog-to-Digital Converter .....	<b>9</b>	10.2	Layout Example .....	<b>70</b>
6.15	Electrical Characteristics – One-Wire Interface .....	<b>9</b>	<b>11</b>	<b>Device and Documentation Support</b> .....	<b>72</b>
6.16	I <sup>2</sup> C Interface .....	<b>9</b>	11.1	Receiving Notification of Documentation Updates ..	<b>72</b>
6.17	Electrical Characteristics – DAC Output .....	<b>9</b>	11.2	Community Resources .....	<b>72</b>
			11.3	Trademarks .....	<b>72</b>
			11.4	Electrostatic Discharge Caution .....	<b>72</b>
			11.5	Glossary .....	<b>72</b>
			<b>12</b>	<b>Mechanical, Packaging, and Orderable Information</b> .....	<b>72</b>

## 4 Revision History

DATE	REVISION	NOTES
August 2018	*	Initial release.

## 5 Pin Configuration and Functions



NU = Make no external connection.

### Pin Functions

PIN		I/O	DESCRIPTION
NAME	NO.		
AVDD	9	O	AVDD regulator output.
AVSS	23	—	Analog ground.
BRG+	15	O	Bridge drive, positive.
BRG–	14	O	Bridge drive, negative.
COMP	13	I	Output amplifier compensation.
DACCAP	6	O	DAC capacitor.
DVDD	3	O	DVDD regulator output.
DVDD_MEM	2	O	Power supply for EEPROM and OTP.
DVSS	32	—	Digital ground.
FB+	12	I	Feedback, positive.
FB–	11	I	Feedback, negative.
GND	10	—	Ground.
I2CADDR	29	I	I <sup>2</sup> C chip address select.
INP+	18	I	Resistive sensor positive input.
INP–	17	I	Resistive sensor negative input.
INT+	21	I	External temperature sensor positive input.
INT–	22	I	External temperature sensor negative input.
NU	1, 4, 7, 19, 20, 24 to 28, 30, 31, 34, 35	—	Do not connect.
OUT	8	O	DAC gained output.
PWR	5	I	Input power supply.
REFCAP	16	O	ADC reference capacitor.
SCL	36	I/O	I <sup>2</sup> C clock.
SDA	33	I/O	I <sup>2</sup> C data.
Thermal pad	—	—	Connect to analog ground.

## 6 Specifications

### 6.1 Absolute Maximum Ratings

see <sup>(1)</sup>

		MIN	MAX	UNIT
PWR	Supply voltage	-28	33	V
	Voltage at sensor input pins: INP+, INP-, INT+, INT-	-0.3	2	V
	Voltage at AVDD, AVSS, BRG+, BRG-, COMP, DACCAP, DVDD, DVDD_MEM, DVSS, FB-, GATE, REFCAP, SCL, SDA, I2CADDR	-0.3	3.6	V
	Voltage at FB+ pin	-2	$V_{PWR} + 0.3$	V
	Voltage at OUT pin	-0.3	33	V
$I_{PWR}$ , short on OUT pin	Supply current		25	mA
$T_{Jmax}$	Maximum junction temperature		155	°C
$T_{stg}$	Storage temperature	-40	150	°C

- (1) Stresses beyond those listed under *Absolute Maximum Ratings* may cause permanent damage to the device. These are stress ratings only, which do not imply functional operation of the device at these or any other conditions beyond those indicated under *Recommended Operating Conditions*. Exposure to absolute-maximum-rated conditions for extended periods may affect device reliability.

### 6.2 ESD Ratings

		VALUE	UNIT
$V_{(ESD)}$	Electrostatic discharge	Human-body model (HBM), per ANSI/ESDA/JEDEC JS-001 <sup>(1)</sup>	±2000
		Charged-device model (CDM), per JEDEC specification JESD22-C101 <sup>(2)</sup>	±500

- (1) JEDEC document JEP155 states that 500-V HBM allows safe manufacturing with a standard ESD control process.  
(2) JEDEC document JEP157 states that 250-V CDM allows safe manufacturing with a standard ESD control process.

### 6.3 Recommended Operating Conditions

over operating ambient temperature range (unless otherwise noted)

			MIN	NOM	MAX	UNIT
$V_{PWR}$	Power supply voltage		3.3		30	V
	Slew rate	$V_{DD} = 0$ to 30 V			0.5	V/μs
$I_{PWR}$	Power supply current - normal operation	No load on BRG, no load on DAC		2.5		mA
	Power supply current - EEPROM programming	While EEPROM is being programmed, no load on BRG, no load on DAC			$g^{(1)}$	
$T_A$	Operating ambient temperature		-40		150	°C
	Programming temperature	EEPROM	-40		140	°C
	Start-up time (including analog and digital)	$V_{PWR}$ ramp rate 0.5 V/μs			1	ms
	Capacitor on PWR pin		10			nF

- (1) Programming of the EEPROM results in an additional 6 mA of current on the PWR pin.

## 6.4 Thermal Information

THERMAL METRIC <sup>(1)</sup>		PGA305	UNIT
		RHH (VQFN)	
		36 PINS	
R <sub>θJA</sub>	Junction-to-ambient thermal resistance	30.6	°C/W
R <sub>θJC(top)</sub>	Junction-to-case (top) thermal resistance	16.4	°C/W
R <sub>θJB</sub>	Junction-to-board thermal resistance	5.4	°C/W
ψ <sub>JT</sub>	Junction-to-top characterization parameter	0.2	°C/W
ψ <sub>JB</sub>	Junction-to-board characterization parameter	5.4	°C/W
R <sub>θJC(bot)</sub>	Junction-to-case (bottom) thermal resistance	0.7	°C/W

(1) For more information about traditional and new thermal metrics, see the [Semiconductor and IC Package Thermal Metrics](#) application report.

## 6.5 Electrical Characteristics – Reverse Voltage Protection

over operating ambient temperature range (unless otherwise noted)

PARAMETER	TEST CONDITIONS	MIN	TYP	MAX	UNIT
Reverse voltage		-28			V
Voltage drop across reverse voltage protection element			20		mV

## 6.6 Electrical Characteristics – Regulators

PARAMETER	TEST CONDITIONS	MIN	TYP	MAX	UNIT
V <sub>AVDD</sub>	AVDD voltage C <sub>AVDD</sub> = 100 nF		3		V
V <sub>DVDD</sub>	DVDD voltage – operating C <sub>DVDD</sub> = 100 nF		1.8		V

## 6.7 Electrical Characteristics – Internal Reference

over operating ambient temperature range (unless otherwise noted)

PARAMETER	TEST CONDITIONS	MIN	TYP	MAX	UNIT
High-voltage reference voltage <sup>(1)</sup>			1.2		V
Accurate reference voltage			2.5		V
Capacitor value on REFCAP pin			100		nF

(1) TEMP\_DRIFT = [(Value at TEMP – Value at 25°C) / (Value at 25°C × ΔTEMP)] × 10<sup>6</sup>.

## 6.8 Electrical Characteristics – Bridge Sensor Supply

PARAMETER	TEST CONDITIONS	MIN	TYP	MAX	UNIT
<b>BRG SUPPLY FOR RESISTIVE BRIDGE SENSORS</b>					
V <sub>BRG+</sub> – V <sub>BRG-</sub>	Bridge supply control bit = 0b00, no load		2.5		V
	Bridge supply control bit = 0b01, no load		2		
	Bridge supply control bit = 0b10, no load		1.25		
I <sub>BRG</sub>	Current supply to the bridge			1.5	mA
C <sub>BRG</sub>	Capacitive load R <sub>BRG</sub> = 20 kΩ			2	nF

## 6.9 Electrical Characteristics – Temperature Sensor Supply

PARAMETER	TEST CONDITIONS	MIN	TYP	MAX	UNIT
<b>I<sub>TEMP</sub> SUPPLY FOR TEMPERATURE SENSOR</b>					
I <sub>TEMP</sub>	Current supply to temperature sensor	Control bit = 0b000		25	μA
		Control bit = 0b001		50	μA
		Control bit = 0b010		100	μA
		Control bit = 0b011		500	μA
		Control bit = 0b1xx		OFF	
C <sub>TEMP</sub>	Capacitive load			100	nF
	Output impedance		15		MΩ

## 6.10 Electrical Characteristics – Internal Temperature Sensor

PARAMETER	TEST CONDITIONS	MIN	TYP	MAX	UNIT
Temperature range		-40		150	°C

## 6.11 Electrical Characteristics – P Gain (Chopper Stabilized)

PARAMETER	TEST CONDITIONS	MIN	TYP	MAX	UNIT
Gain steps (5 bits)	00000, at dc		5		V/V
	00001		5.48		
	00010		5.97		
	00011		6.56		
	00100		7.02		
	00101		8		
	00110		9.09		
	00111		10		
	01000		10.53		
	01001		11.11		
	01010		12.5		
	01011		13.33		
	01100		14.29		
	01101		16		
	01110		17.39		
	01111		18.18		
	10000		19.05		
	10001		20		
	10010		22.22		
	10011		25		
	10100		30.77		
	10101		36.36		
	10110		40		
	10111		44.44		
	11000		50		
11001		57.14			
11010		66.67			
11011		80			
11100		100			
11101		133.33			
11110		200			
11111		400			

**Electrical Characteristics – P Gain (Chopper Stabilized) (continued)**

PARAMETER	TEST CONDITIONS	MIN	TYP	MAX	UNIT
Gain bandwidth product			10		MHz
Input-referred noise density <sup>(1)</sup>	f = 0.1 Hz to 2 kHz, gain = 400 V/V, sampling rate = 128 $\mu$ s, across temperature		15		nV/ $\sqrt{\text{Hz}}$
Input offset voltage			10		$\mu$ V
Input bias current			5		nA
Frequency response	Gain = 400 V/V, <1 kHz			$\pm 0.1$	%V/V
Common-mode voltage range		Depends on selected gain, bridge supply and sensor span <sup>(2)</sup>			V
Common-mode rejection ratio	f <sub>CM</sub> = 50 Hz at gain = 5 V/V		110		dB
Input impedance		10			M $\Omega$

- (1) Total input-referred noise including gain noise, ADC reference noise, ADC thermal noise, and ADC quantization noise.  
 (2) **Common Mode at P Gain Input and Output:** There are two constraints:  
 (a) The single-ended voltage of the positive and negative pins at the P gain input must be between 0.3 V and 1.8 V.  
 (b) The single-ended voltage of the positive and negative pins at the P gain output must be between 0.1 V and 2 V.

**6.12 Electrical Characteristics – P Analog-to-Digital Converter**

PARAMETER	TEST CONDITIONS	MIN	TYP	MAX	UNIT
Sigma-delta modulator frequency			1		MHz
ADC voltage input range		-2.5		2.5	V
Number of bits			24		bits
ADC 2s complement code for -2.5-V differential input			800000 <sub>hex</sub>		
ADC 2s complement code for 0-V differential input			000000 <sub>hex</sub>		
ADC 2s complement code for 2.5-V differential input			7FFFFFF <sub>hex</sub>		
INL Integral nonlinearity				$\pm 0.5$	LSB

**6.13 Electrical Characteristics – T Gain (Chopper Stabilized)**

PARAMETER	TEST CONDITIONS	MIN	TYP	MAX	UNIT
Gain steps (2 bits)	Gain control bits = 0b00 at dc		1.33		V/V
	Gain control bits = 0b01		2		
	Gain control bits = 0b10		5		
	Gain control bits = 0b11		20		
Gain bandwidth product			350		kHz
Noise density <sup>(1)</sup>	f = 0.1 Hz to 100 Hz at gain = 5 V/V, across temperature		110		nV/ $\sqrt{\text{Hz}}$
Input offset voltage			95		$\mu$ V
Input bias current			5		nA
Frequency response	Gain = 20 V/V, <100 Hz			0.335	%V/V
Common mode voltage range		Depends on selected gain and current supply <sup>(2)</sup>			
Common-mode rejection ratio	f <sub>CM</sub> = 50 Hz		110		dB
Input impedance		1			M $\Omega$

- (1) Total input-referred noise including gain noise, ADC reference noise, ADC thermal noise, and ADC quantization noise.  
 (2) **Common Mode at T Gain Input and Output:** There are two constraints:  
 (a) The single-ended voltage of positive/negative pin at the T gain input should be between 5 mV and 1.8 V.  
 (b) The single-ended voltage of positive/negative pin at the T gain output should be between 0.1 V and 2 V.



## 6.14 Electrical Characteristics – T Analog-to-Digital Converter

PARAMETER	TEST CONDITIONS	MIN	TYP	MAX	UNIT
Sigma-delta modulator frequency			1		MHz
ADC voltage input range		-2.5		2.5	V
Number of bits			24		bits
ADC 2s complement code for -2.5-V differential input	2s complement		800000 <sub>hex</sub>		LSB
ADC 2s complement code for 0-V differential input			000000 <sub>hex</sub>		LSB
ADC 2s complement code for 2.5-V differential input			7FFFFFF <sub>hex</sub>		LSB
INL	Integral nonlinearity			±0.5	LSB

## 6.15 Electrical Characteristics – One-Wire Interface

PARAMETER	TEST CONDITIONS	MIN	TYP	MAX	UNIT
Communication baud rate <sup>(1)</sup>		600		9600	bps
OWI_ENH	OWI activation high	5.95			V
OWI_ENL	OWI activation low			5.75	V
OWI_VIH	OWI transceiver Rx threshold for high	4.8		5.1	V
OWI_VIL	OWI transceiver Rx threshold for low	3.9		4.2	V
OWI_IOH	OWI transceiver Tx threshold for high	500		1379	µA
OWI_IOL	OWI transceiver Tx threshold for low	2		5	µA

(1) OWI over power line does not work if there is an LDO between the supply to the sensor and the PWR pin, or if the OWI high and low voltages are greater than the regulated voltage.

## 6.16 I<sup>2</sup>C Interface

over operating free-air temperature range at  $V_{DD} = 5\text{ V}$  (unless otherwise noted)

PARAMETER	TEST CONDITIONS	MIN	TYP	MAX	UNIT
$V_{IH}$	High-level input voltage	$0.7 \times AV_{DD}$			V
$V_{IL}$	Low-level input voltage			$0.3 \times AV_{DD}$	V
$V_{OL}$	Low-level output voltage	$I_{OL} = 3\text{ mA}$ , I <sup>2</sup> C RATE configuration bit = 0		0.4	V
$V_{OL}$	Low-level output voltage	$I_{OL} = 20\text{ mA}$ , I <sup>2</sup> C RATE configuration bit = 1		0.4	V
$f_{SCL}$	SCL clock frequency		400	800	KBPS

## 6.17 Electrical Characteristics – DAC Output

PARAMETER	TEST CONDITIONS	MIN	TYP	MAX	UNIT
DAC reference voltage	Reference bit = 1		1.25		V
	Reference bit = 0 (ratiometric)		$0.25 \times V_{PWR}$		
DAC resolution			14		bits

## 6.18 Electrical Characteristics – DAC Gain

PARAMETER	TEST CONDITIONS	MIN	TYP	MAX	UNIT
Buffer gain (see <a href="#">Figure 20</a> )	2x		2		V/V
	4x		4		
	6.67x		6.67		
	10x		10		
Current loop gain			1001		mA/mA

**Electrical Characteristics – DAC Gain (continued)**

PARAMETER		TEST CONDITIONS	MIN	TYP	MAX	UNIT
Gain-bandwidth product				1		MHz
Zero-code voltage (gain = 4x)		DAC code = 0000h, I <sub>DAC</sub> = 2.5 mA			20	mV
Full-code voltage (gain = 4x)		DAC code is 1FFFh, I <sub>DAC</sub> = –2.5 mA	4.8			V
Output current		DAC code = 1FFFh, DAC code = 0000h			±2.5	mA
Short-circuit source current		DAC code = 1FFFh		27		mA
Short-circuit sink current		DAC code = 0000h		27		mA
Maximum capacitance		Without compensation			100	pF
		With compensation			100	nF

**6.19 Electrical Characteristics – Non-Volatile Memory**

PARAMETER		TEST CONDITIONS	MIN	TYP	MAX	UNIT
EEPROM	Size			128		bytes
	Erase-write cycles				1000	cycles
	Programming time	1 8-byte page			8	ms
	Data retention		10			years

**6.20 Electrical Characteristics – Diagnostics**

over operating ambient temperature range (unless otherwise noted)

PARAMETER		TEST CONDITIONS		MIN	TYP	MAX	UNIT
OSC_PWR_OV	Oscillator circuit supply overvoltage threshold				3.3		V
OSC_PWR_UV	Oscillator circuit supply undervoltage threshold				2.7		V
BRG_OV	Resistive bridge sensor supply overvoltage threshold				10		%V <sub>BRG</sub>
BRG_UV	Resistive bridge sensor supply undervoltage threshold				–10		%Prog. V <sub>BRG</sub>
AVDD_OV	AVDD overvoltage threshold				3.3		V
AVDD_UV	AVDD undervoltage threshold				2.7		V
DVDD_OV	DVDD overvoltage threshold				2		V
DVDD_UV	DVDD undervoltage threshold				1.53		V
REF_OV	Reference overvoltage threshold				2.75		V
REF_UV	Reference undervoltage threshold				2.25		V
P_DIAG_PU	P gain input diagnostics pulldown resistor value		PD2	PD1			MΩ
			0	0	1		
			0	1	2		
			1	0	3		
			1	1	4		

## Electrical Characteristics – Diagnostics (continued)

over operating ambient temperature range (unless otherwise noted)

PARAMETER		TEST CONDITIONS			MIN	TYP	MAX	UNIT					
INP_OV	P gain input overvoltage threshold value	INP+ and INP– each has threshold comparator	THRS[2]	THRS[1]	THRS[0]			%V <sub>BRG</sub>					
									V <sub>BRG</sub> = 2.5 V	0	0	0	72.5
										0	0	1	70
		0	1	0	65								
		V <sub>BRG</sub> = 2 V	0	1	1	90							
			1	0	0	87.5							
			1	0	1	82.5							
		V <sub>BRG</sub> = 1.25 V	1	1	0	100							
			1	1	1	95							
INP_UV	P gain input undervoltage threshold value	INP+ and INP– each has threshold comparator	THRS[2]	THRS[1]	THRS[0]			%V <sub>BRG</sub>					
									V <sub>BRG</sub> = 2.5 V	0	0	0	7.5
										0	0	1	10.0
		0	1	0	15.0								
		V <sub>BRG</sub> = 2 V	0	1	1	10.0							
			1	0	0	12.5							
			1	0	1	17.5							
		V <sub>BRG</sub> = 1.25 V	1	1	0	17.5							
			1	1	1	22.5							
INT_OV	T gain input overvoltage	INT+ and INT– each has threshold comparator			2.1			V					
PGAIN_OV	Output overvoltage (single-ended) threshold for P gain				2.25			V					
PGAIN_UV	Output undervoltage (single-ended) threshold for P gain				0.15			V					
TGAIN_OV	Output overvoltage (single-ended) threshold for T gain				2.25			V					
TGAIN_UV	Output undervoltage (single-ended) threshold for T gain				0.15			V					
HARNESS_FAULT1	Open-wire leakage current 1. Open PWR with pullup on OUT				2			μA					
HARNESS_FAULT2	Open-wire leakage current 2. Open GND with pulldown on OUT				20			μA					

### 6.21 Operating Characteristics

over operating ambient temperature range (unless otherwise noted). Start-up time and response time testing performed in 0-5V absolute voltage mode.

PARAMETER	TEST CONDITIONS	MIN	TYP	MAX	UNIT
Start-up time <sup>(1)</sup>	No IIR filter, Vout step 0 to 2.5 V		9.6		ms
Start-up time <sup>(2)</sup>	IIR filter = 320Hz, Vout step 0 to 2.5 V		10.8		ms
Output rate			512		μs
Response time <sup>(3)</sup>	No IIR filter, Vout step 0 to 2.5 V		1700		μs

(1) Time from power up to reach 90% of valid output.

(2) Time from power up to reach valid output, including settling time.

(3) Time to reach 90% of valid output.

## Operating Characteristics (continued)

over operating ambient temperature range (unless otherwise noted). Start-up time and response time testing performed in 0-5V absolute voltage mode.

PARAMETER	TEST CONDITIONS	MIN	TYP	MAX	UNIT
Response time <sup>(4)</sup>	IIR filter = 320Hz, Vout step 0 to 2.5 V		2680		μs
Absolute-voltage mode, overall accuracy (PGA305 only, no sense element) <sup>(5)</sup>	3 pressure - 1 temperature calibration, overall accuracy calculated using points different from points used for calibration		0.13		%FSO
	3 pressure - 3 temperature calibration, input voltage not subject to temperature variation, overall accuracy calculated using points different from points used for calibration		0.08		
	4 pressure - 4 temperature calibration, input voltage not subject to temperature variation, overall accuracy calculated using points different from points used for calibration		0.08		
Ratiometric-voltage mode, overall accuracy (PGA305, no sense element) <sup>(5)</sup>	3 pressure - 1 temperature calibration, overall accuracy calculated using points different from points used for calibration		0.15		%FSO
	3 pressure - 3 temperature calibration, input voltage not subject to temperature variation, overall accuracy calculated using points different from points used for calibration		0.13		
	4 pressure - 4 temperature calibration, input voltage not subject to temperature variation, overall accuracy calculated using points different from points used for calibration		0.10		
Current mode, overall accuracy (PGA305, no sense element) <sup>(5)</sup>	3 pressure - 1 temperature calibration, overall accuracy calculated using points different from points used for calibration		0.18		%FSO
	3 pressure - 3 temperature calibration, input voltage not subject to temperature variation, overall accuracy calculated using points different from points used for calibration		0.08		
	4 pressure - 4 temperature calibration, input voltage not subject to temperature variation, overall accuracy calculated using points different from points used for calibration		0.06		

(4) Time to reach valid output, including settling time.

(5) Sense element held at constant temperature while the PGA305 device was calibrated at –25°C, 25°C, 85°C and 125°C. Accuracy was then measured at –40°C, 50°C and 150 °C.

## 6.22 I<sup>2</sup>C Interface Timing Requirements

		MIN	TYP	MAX	UNIT
$t_{STASU}$	START condition set-up time	500			ns
$t_{STAHD}$	START condition hold time	500			ns
$t_{LOW}$	SCL low time	1.25			$\mu$ s
$t_{HIGH}$	SCL high time	1.25			$\mu$ s
$t_{RISE}$	SCL and SDA rise time			7	ns
$t_{FALL}$	SCL and SDA fall time			7	ns
$t_{DATSU}$	Data setup time	500			ns
$t_{DATHD}$	Data hold time	500			ns
$t_{STOSU}$	STOP condition set-up time	500			ns

## 6.23 Timing Diagram

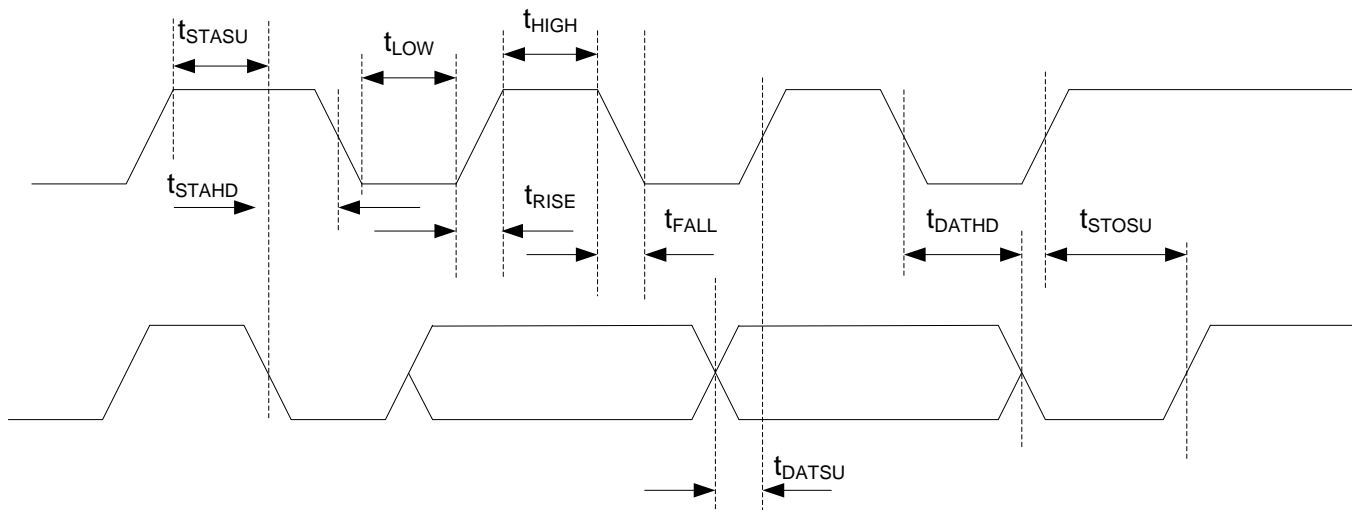
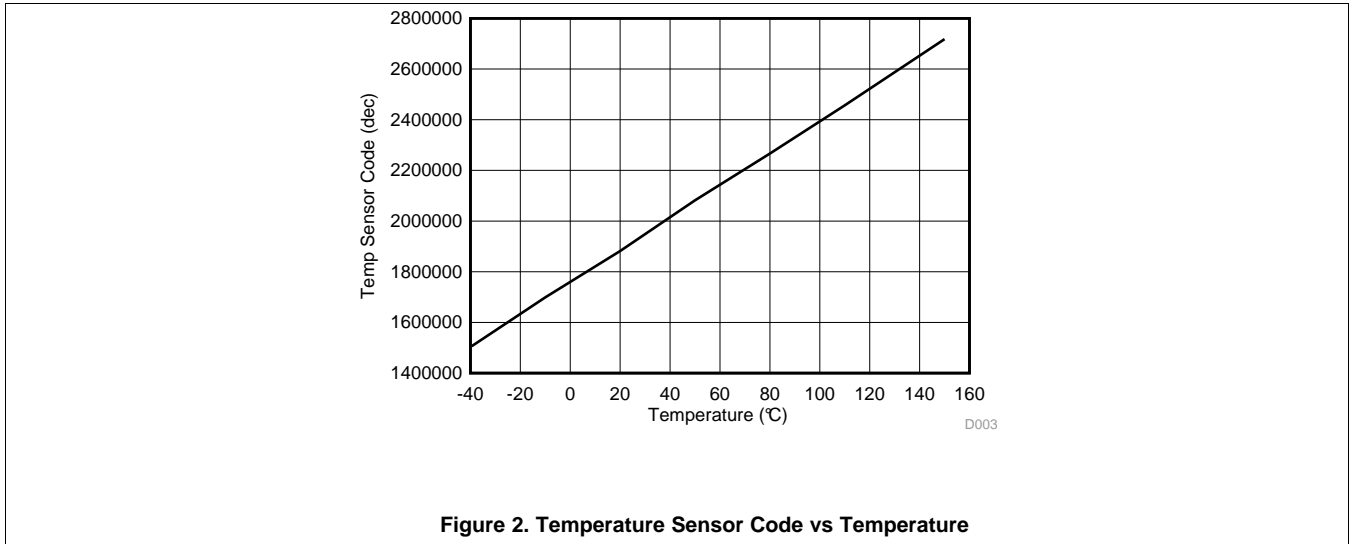


Figure 1. I<sup>2</sup>C Timing

## 6.24 Typical Characteristics



## 7 Detailed Description

### 7.1 Overview

The PGA305 device can be used in a variety of applications. The most common ones are for pressure and temperature measurement. Depending on the application, the device itself can be configured in different modes. These sections give information regarding these configurations.

The PGA305 device is a high-accuracy, low-drift, low-noise, low-power, and easily programmable signal-conditioner device for resistive-bridge pressure and temperature-sensing applications. The PGA305 device implements a third-order temperature coefficient (TC) and nonlinearity (NL) algorithm to linearize the analog output. The PGA305 device accommodates various sensing element types, such as piezoresistive, ceramic film, and steel membrane. It supports the sensing element spans from 1 mV/V to 135 mV/V. The typical applications supported are pressure sensor transmitters, transducers, liquid-level meters, flow meters, strain gauges, weight scales, thermocouples, thermistors, two-wire resistance thermometers (RTD), and resistive field transmitters. The device can also be used in accelerometer and humidity sensor signal-conditioning applications.

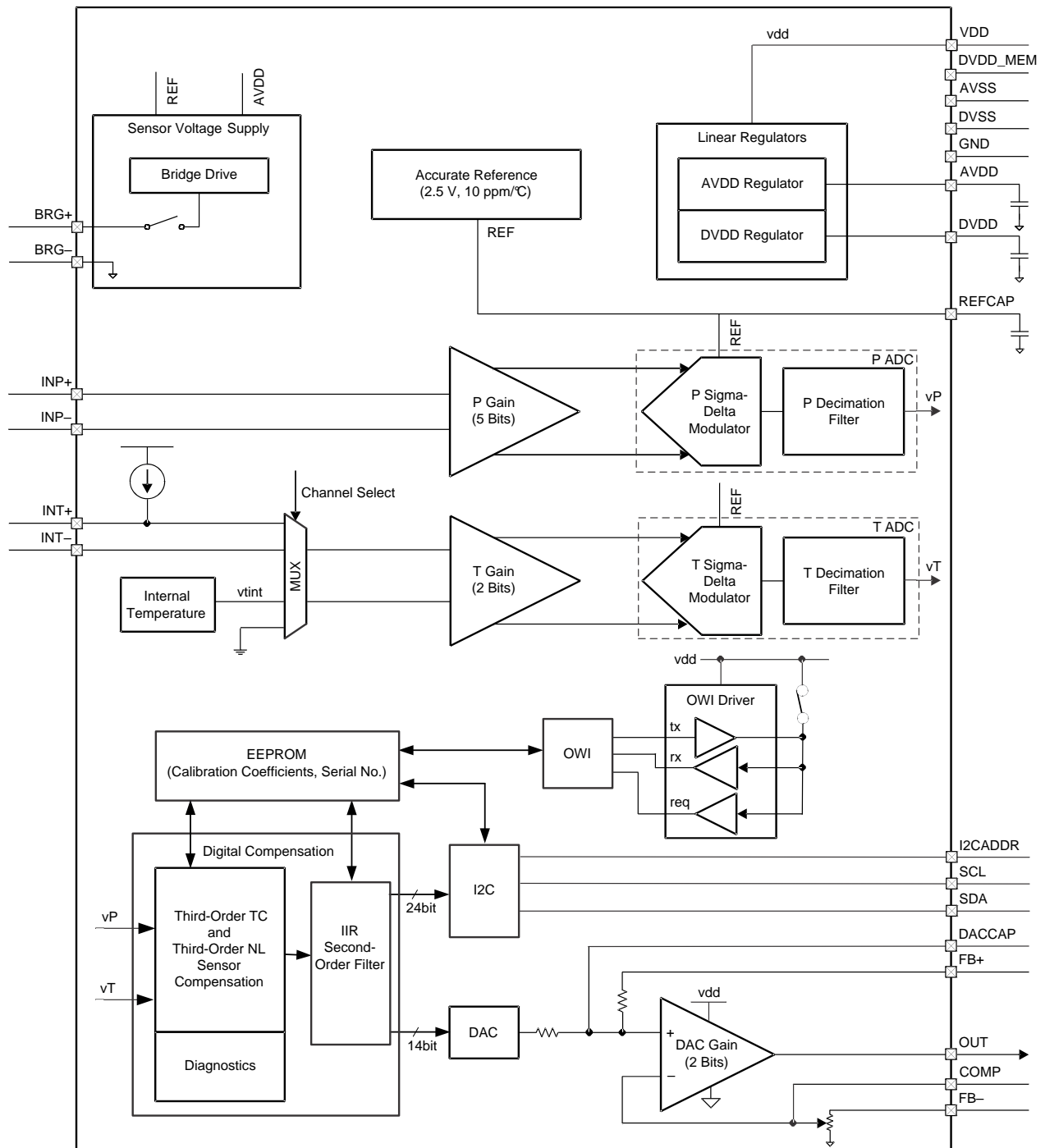
The PGA305 device provides bridge excitation voltages of 2.5 V, 2 V, and 1.25 V, all ratiometric to the ADC reference level. The PGA305 device has the unique one-wire interface (OWI) that supports communication and configuration through the power-supply line during the calibration process. This feature minimizes the number of wires necessary for an application.

The PGA305 device contains two separated analog front-end (AFE) chains for resistive-bridge inputs and temperature-sensing inputs. Each AFE chain has its own gain amplifier and a 16-bit ADC at a 7.8-kHz output rate. The resistive-bridge input AFE chain consists of a programmable gain with 32 steps from 5 V/V to 400 V/V. For the temperature-sensing AFE input chain, the PGA305 device provides a current source that can supply up to 500  $\mu$ A for optional external temperature sensing. This current source can also be used as constant-current bridge excitation. The programmable gain in the temperature-sensing chain has four steps from 1.33 V/V to 20 V/V. In addition, the PGA305 device integrates an internal temperature sensor that can be configured as the input of the temperature-sensing AFE chain.

A 128-byte EEPROM is integrated in the PGA305 device to store the calibration coefficients and the PGA305 configuration settings as needed. The PGA305 device has an integrated I<sup>2</sup>C interface used for data capture and also for device configuration. In addition, 14-bit DAC followed by a buffer gain stage of 2 V/V to 10 V/V. The device supports industrial-standard ratiometric-voltage output, absolute-voltage output, and 4-mA to 20-mA current loop.

The diagnostic function monitors the operating condition of the PGA305 device. The device can operate with a 3.3-V to 30-V power supply directly without using an external LDO. The PGA305 device has a wide ambient-temperature operating range from  $-40^{\circ}\text{C}$  to  $150^{\circ}\text{C}$ . The package form is 6-mm  $\times$  6-mm, 36-pin VQFN. In this small package size, the PGA305 device has integrated all the functions necessary for resistive-bridge sensing applications to minimize the PCB area and simplify the overall application design.

## 7.2 Functional Block Diagram





## 7.3 Feature Description

This section describes individual functional blocks of the PGA305 device.

### 7.3.1 Reverse-Voltage Protection Block

The PGA305 device includes a reverse-voltage protection block. This block protects the device from reverse-battery conditions on the external power supply.

### 7.3.2 Linear Regulators

The PGA305 device has two main linear regulators: an AVDD regulator and a DVDD regulator. The AVDD regulator supplies the 3-V voltage source for internal analog circuitry, while the DVDD regulator supplies the 1.8-V regulated voltage for the digital circuitry. The user must connect bypass capacitors of 100 nF each to the AVDD and DVDD pins of the device.

### 7.3.3 Internal Reference

The PGA305 device has two internal references. These references are given in these subsections.

#### 7.3.3.1 High-Voltage Reference

The high-voltage reference is an inaccurate reference used in the diagnostic thresholds.

#### 7.3.3.2 Accurate Reference

The accurate reference is used to generate reference voltage for the P ADC, T ADC and DAC. TI recommends to place a 100-nF capacitor on the REFCAP pin to limit the bandwidth of reference noise.

The user can set the ADC\_EN\_VREF bit in the ALPWR register to 0 to disable the accurate reference buffer. This allows the user to connect an external single-ended reference voltage to the REFCAP pin and then supply the reference voltage to the ADCs and the DAC. Note that the default power-up state of ADC\_EN\_VREF is such that the reference buffer is disabled.

---

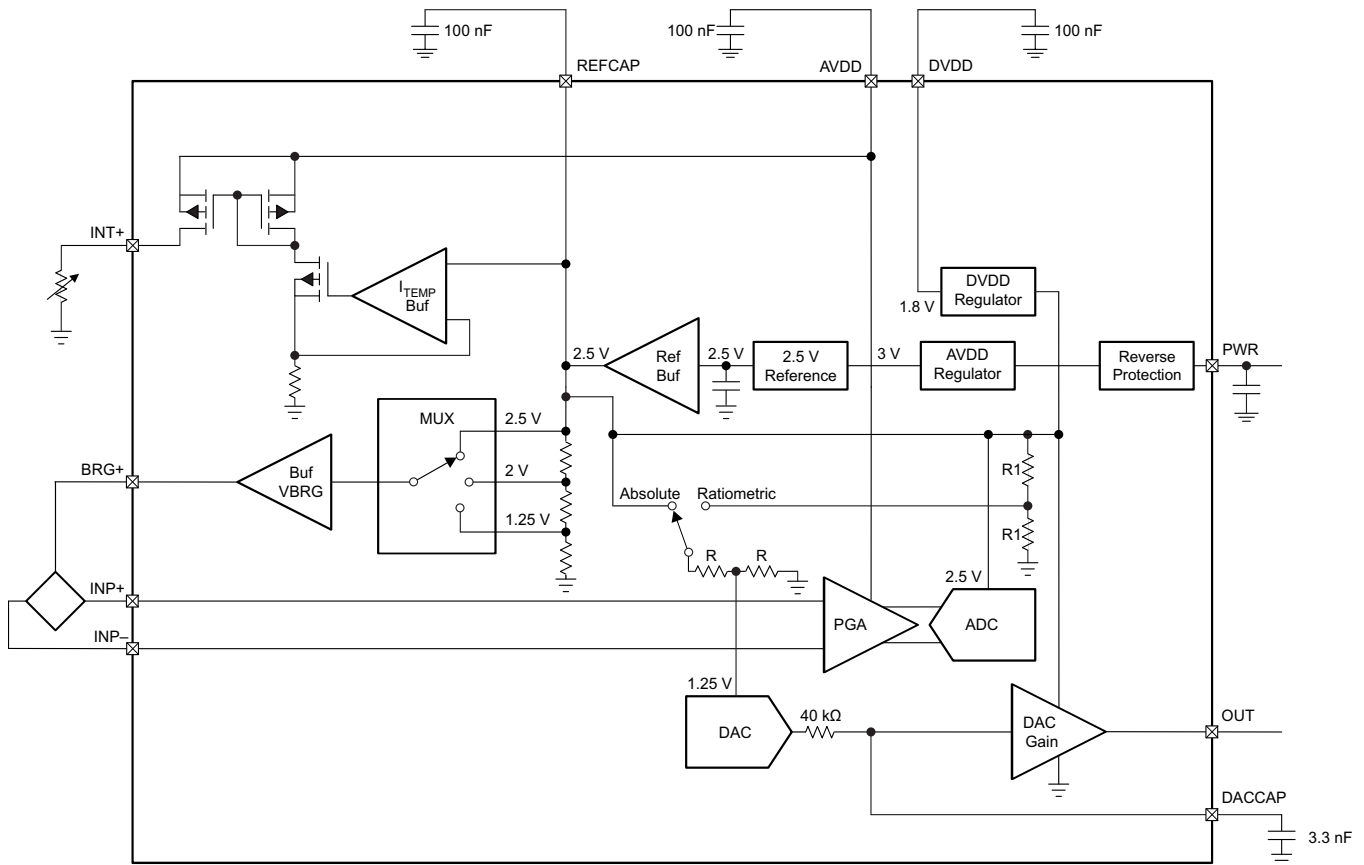
#### NOTE

The accurate reference is valid 50  $\mu$ s after the digital core starts running at power up.

---

### 7.3.4 BRG+ to BRG– Supply for the Resistive Bridge

The sensor voltage-supply block of the PGA305 device supplies power to the resistive-bridge sensor. Use the BRG\_CTRL bits in the BRG\_CTRL register to configure the sensor supply in the PGA305 device to a 2.5-V, 2-V, or 1.25-V nominal output supply. These three output supply options can accommodate bridge sense elements with different resistor values. This nominal supply is ratiometric to the accurate reference as shown in [Figure 3](#).

**Feature Description (continued)**

**Figure 3. Bridge Supply and P ADC Reference are Ratiometric**

The sensor drive includes a switch. This switch can be used to turn off power to the sense element.

**7.3.5 ITEMP Supply for the Temperature Sensor**

The ITEMP block in PGA305 device supplies programmable current to an external temperature sensor, such as an RTD temperature probe or NTC or PTC thermistor. The temperature-sensor current source is ratiometric to the accurate reference.

Use the ITEMP\_CTRL bits in the TEMP\_CTRL register to program the value of the current.

**7.3.6 Internal Temperature Sensor**

PGA305 device includes an internal temperature sensor whose voltage output is digitized by the T ADC and made available to the microprocessor. This digitized value is used to implement temperature compensation algorithms in software. Note that the voltage generated by the internal temperature sensor is proportional to the junction temperature.

## Feature Description (continued)

Figure 4 shows the internal temperature sensor AFE.

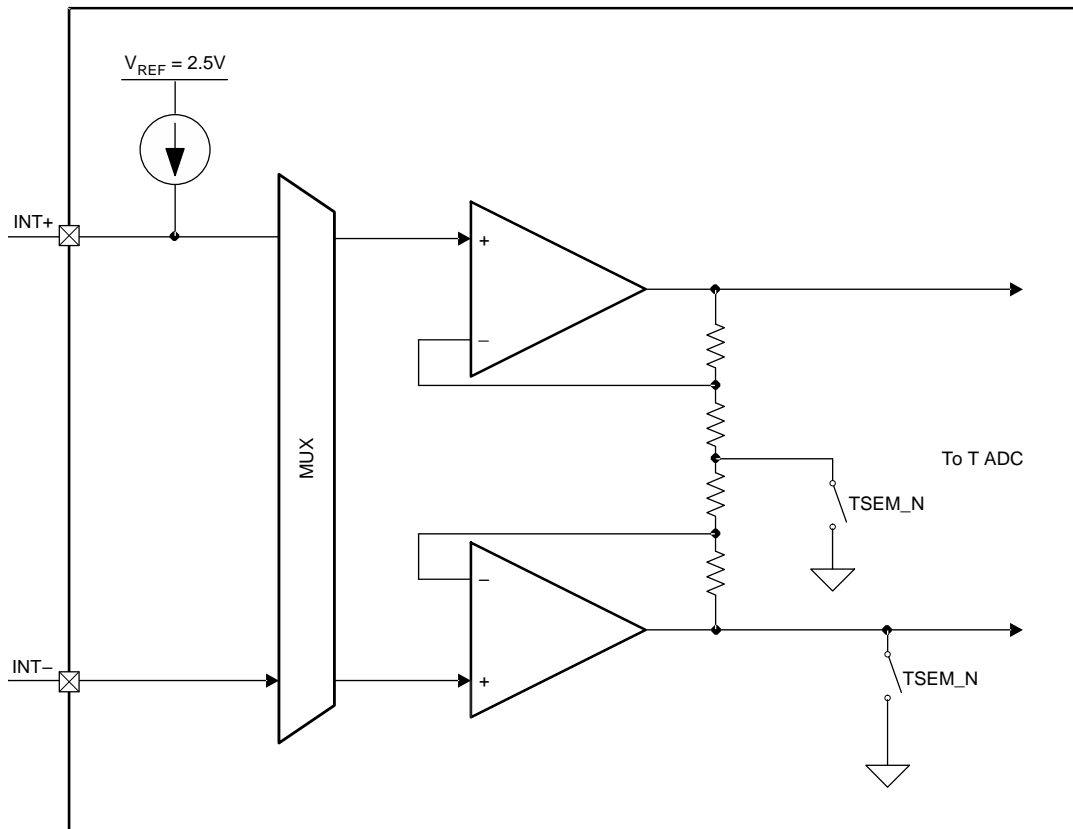


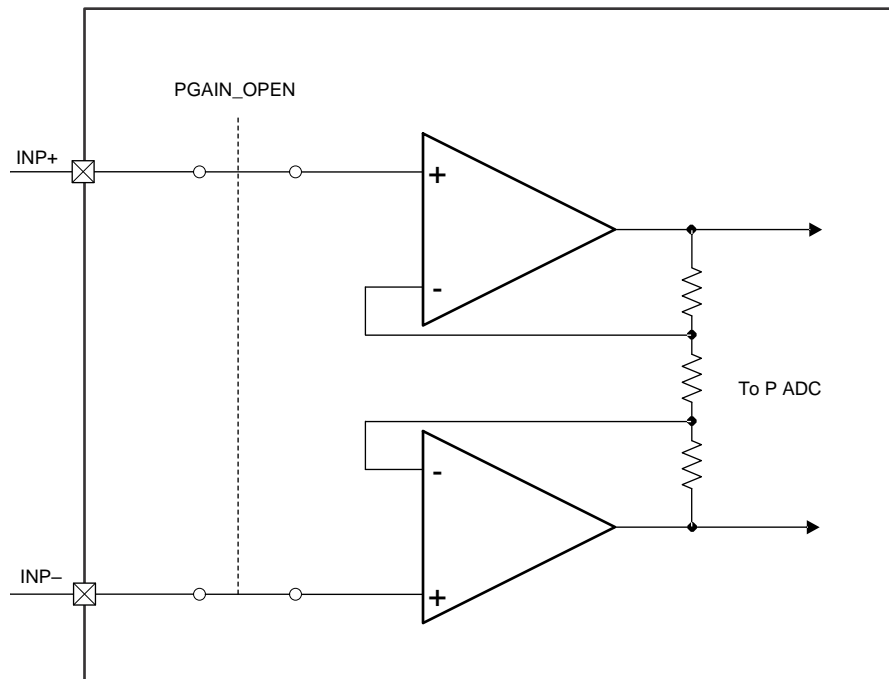
Figure 4. Temperature Sensor AFE

### 7.3.7 P Gain

P gain is designed with precision, low-drift, low-flicker-noise, chopper-stabilized amplifiers. P gain is implemented as an instrument amplifier as shown in [Figure 5](#).

## Feature Description (continued)

The user can use five bits in the P\_GAIN\_SELECT register to adjust the gain of this stage to accommodate sense elements with a wide range of signal spans.



**Figure 5. P Gain**

### 7.3.8 P Analog-to-Digital Converter

The P analog-to-digital converter digitizes the voltage output of the P-gain amplifier.

#### 7.3.8.1 P Sigma-Delta Modulator for P ADC

The sigma-delta modulator for P ADC is a 1-MHz, second-order, 3-bit quantizing sigma-delta modulator.

#### 7.3.8.2 P Decimation Filter for P ADC

The pressure signal path internal conversion time is 128  $\mu$ s.

The output of the decimation filter in the pressure signal path is a 24-bit *signed* value. Some example decimation output codes for given differential voltages at the input of the sigma-delta modulator are shown in [Table 1](#).

**Table 1. Input Voltage to Output Counts for the P ADC**

SIGMA-DELTA MODULATOR DIFFERENTIAL INPUT VOLTAGE (V)	24-BIT NOISE-FREE DECIMATOR OUTPUT
-2.5	-8 388 608 (0x800000)
-1.25	-4 194 304 (0xC00000)
0	0 (0x000000)
1.25	4 194 303 (0x3FFFFFF)
2.5	8 388 607 (0x7FFFFFF)

### 7.3.9 T Gain

The device has the ability to perform temperature compensation through an internal or external temperature sensor. The user can select the source of the temperature measurement with the TEMP\_MUX\_CTRL bits in TEMP\_CTRL register. Note that the device connects to an external temperature sensor through the INT+ and INT– pins.

The T gain block is constructed with a low-flicker-noise, low-offset, chopper-stabilized amplifier. The gain is configurable with two bits in the T\_GAIN\_SELECT register. Figure 6 shows the T-gain amplifier topology.

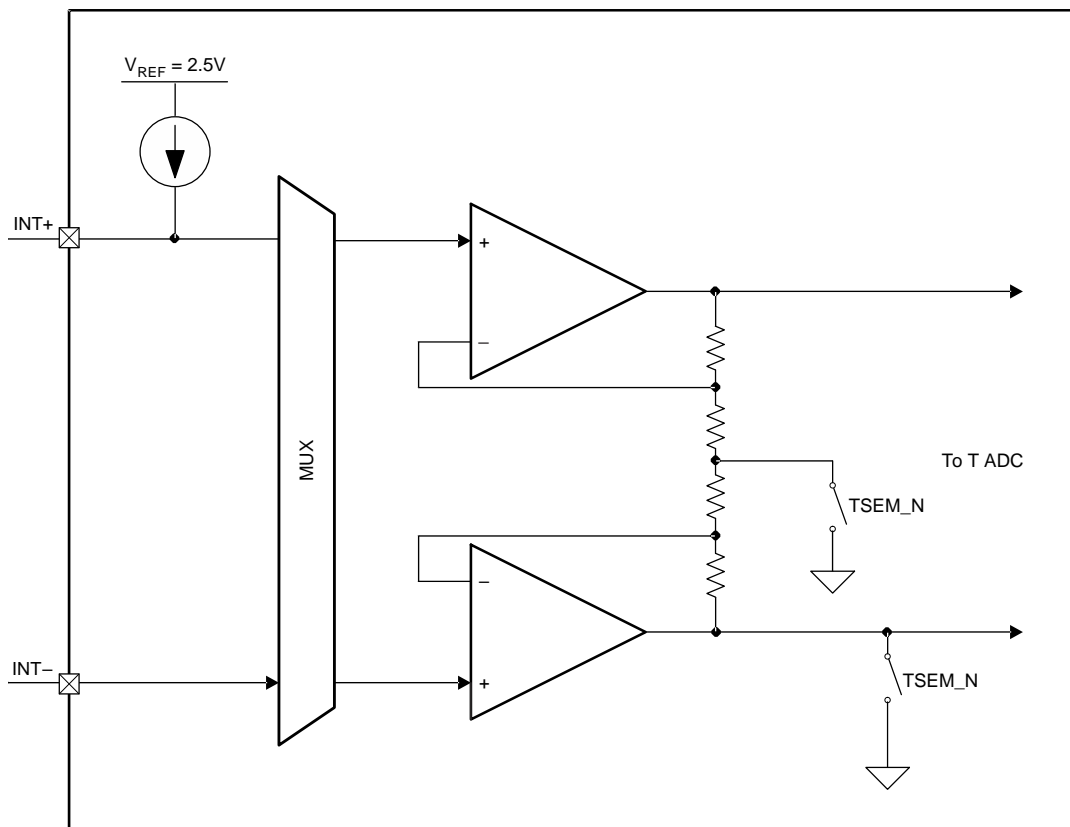


Figure 6. Temperature Sensor AFE

The T-gain amplifier can be configured for single-ended or differential operation using the TSEM\_N bit in the AMUX\_CTRL register. Note that when the T-gain amplifier is set up for single-ended operation, the differential voltage converted by the T ADC is with respect to ground. Table 2 shows the configuration that the user must select for the different temperature sources.

Table 2. T-Gain Configuration

TEMPERATURE SOURCE	T GAIN CONFIGURATION
Internal temperature sensor	Single-ended
External temperature sensor with one terminal of the sensor connected to ground	Single-ended
External temperature sensor with neither terminal of the sensor connected to ground	Differential

The T-gain amplifier must be set up for either the single-ended or differential configuration, depending on the source of signal to the T gain.

---

**NOTE**

**When T GAIN is configured to measure the internal temperature-sensor output, T GAIN must be configured to operate in single-ended mode and with a gain of 5 V/V.**

---

### 7.3.10 T Analog-to-Digital Converter

The T analog-to-digital converter is for digitizing the T-gain amplifier output. The digitized value is available in the TADC\_DATA2 and TADC\_DATA3 registers.

#### 7.3.10.1 T Sigma-Delta Modulator for T ADC

The sigma-delta modulator for T ADC is a 1-MHz, second-order, 3-bit quantizing sigma-delta modulator.

#### 7.3.10.2 T Decimation Filters for T ADC

The temperature signal path contains a decimation filter with an internal output rate of 128  $\mu$ s.

The output of the decimation filter in the temperature signal path is 24-bit **signed** value. Some example decimation output codes for given differential voltages at the input of the sigma-delta modulator are shown in [Table 3](#).

**Table 3. Input Voltage to Output Counts for T ADC**

SIGMA-DELTA MODULATOR DIFFERENTIAL INPUT VOLTAGE	24-BIT NOISE-FREE DECIMATOR OUTPUT
–2.5 V	–8 388 608 (0x800000)
–1.25 V	–4 194 304 (0xC00000)
0 V	0 (0x000000)
1.25 V	4 194 303 (0x3FFFFFF)
2.5 V	8 388 607 (0x7FFFFFF)

The nominal relationship between the device junction temperature and 24-bit T ADC Code for T GAIN = 5 V/V is shown in [Equation 1](#).

$$\text{T ADC Code} = 6632.1 \times \text{TEMP} + 1710281.3,$$

where

- TEMP is temperature in  $^{\circ}\text{C}$  (1)

### 7.3.11 P GAIN and T GAIN Calibration

The P\_GAIN value should be set based on the maximum bridge output voltage. The maximum bridge voltage is the maximum sum of bridge offset and bridge span across the entire operating temperature range.

The T\_GAIN value should be set based on the temperature sense element. The specific values to be used are:

- For the internal temperature sensor, set T\_GAIN to 5 V/V gain.
- For an external temperature sensor such as a PTC thermistor, set T\_GAIN to 20 V/V gain.

### 7.3.12 One-Wire Interface (OWI)

The device includes an OWI digital communication interface. The function of OWI is to enable writes to and reads from all memory locations inside the PGA305 device that are available for OWI access.

#### 7.3.12.1 Overview of OWI

The OWI digital communication is a master-slave communication link in which the PGA305 device operates as a slave device only. The master device controls when data transmission begins and ends. The slave device does not transmit data back to the master until it is commanded to do so by the master.

The PWR pin of PGA305 device is used as OWI interface, so that when the PGA305 device is embedded inside of a system module, only two pins are needed (PWR and GND) for communication. The OWI master communicates with the PGA305 device by modulating the voltage on the PWR pin, whereas the PGA305 device communicates with the master by modulating the current on the PWR pin. The OWI master activates OWI communication by generating an activation pulse on the PWR pin.

Figure 7 shows a functional equivalent circuit for the structure of the OWI circuitry.

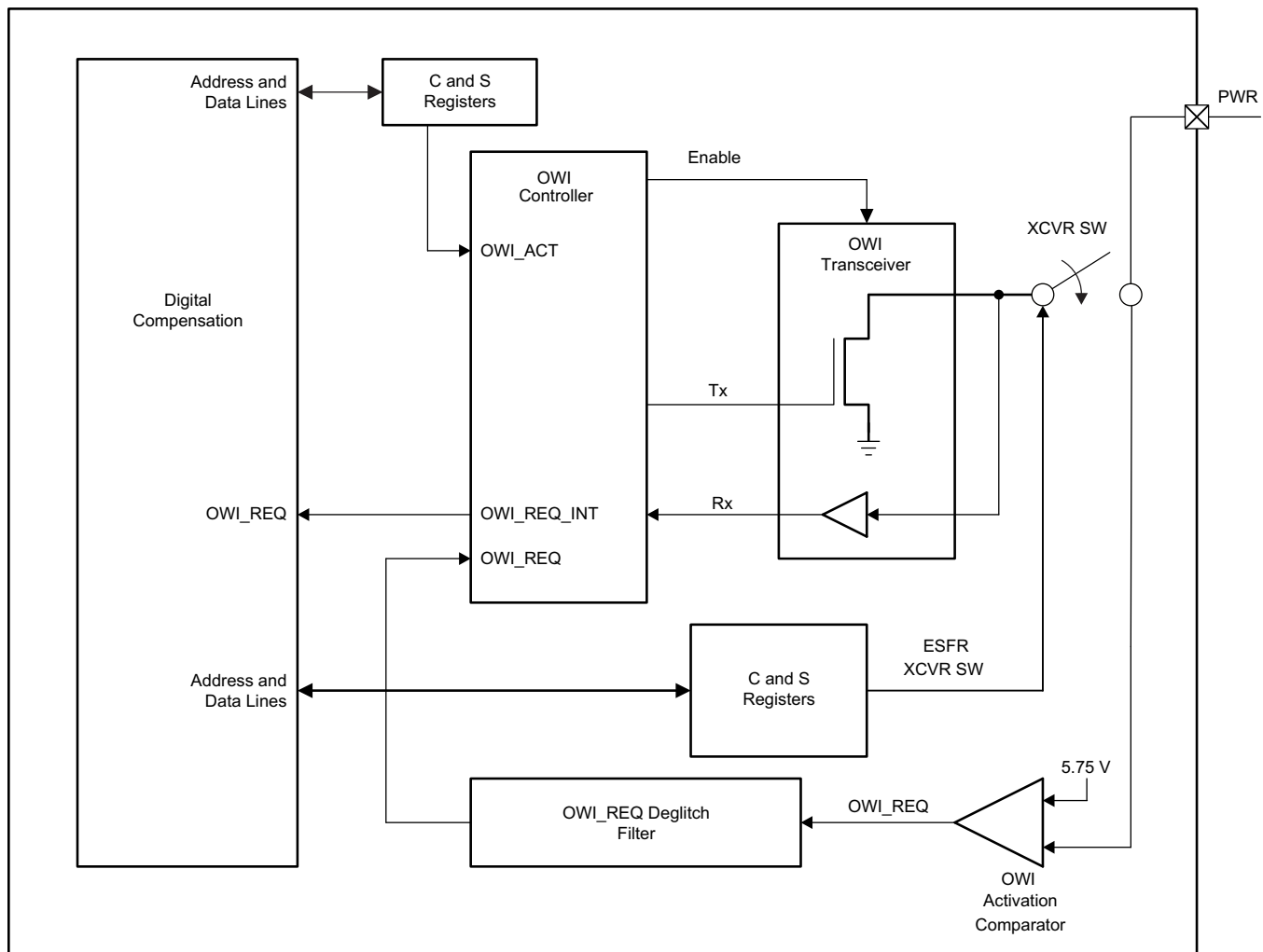


Figure 7. OWI System Components

### 7.3.12.2 Activating and Deactivating the OWI Interface

#### 7.3.12.2.1 Activating OWI Communication

The OWI master initiates OWI communication when the OWI master generates an **OWI activation-pulse sequence** on the PWR pin. When the PGA305 device receives a valid OWI activation-pulse sequence, it prepares itself for OWI communication. Notice that after the valid OWI activation-pulse sequence is received, the logic checks on the EEPROM lock status. If the EEPROM is locked, the sequence 0x5555 must be sent within 100 ms after the end of the activation-pulse sequence.

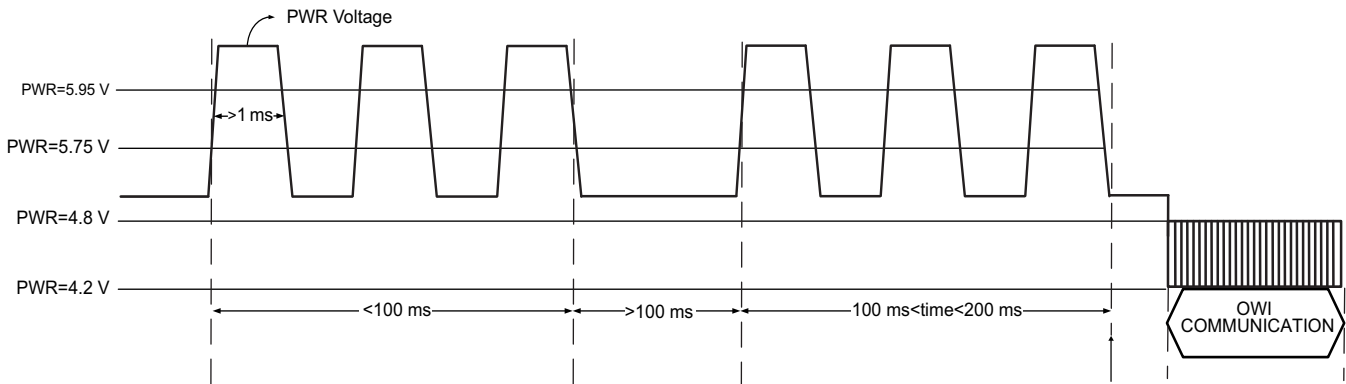


Figure 8. OWI Activation Using Overvoltage Drive

#### 7.3.12.2.2 Deactivating OWI Communication

To deactivate OWI communication and restart the compensation engine inside the PGA305 device (if it was in reset), these two steps must be performed by the OWI master:

- Set the OWI\_XCR\_EN bit in the DIG\_IF\_CTRL register to 0 to turn off the OWI transceiver.
- Set the COMPENSATION\_RESET bit in the COMPENSATION\_CONTROL register to 0 to de-assert the compensation engine reset.

### 7.3.12.3 OWI Protocol

#### 7.3.12.3.1 OWI Frame Structure

##### 7.3.12.3.1.1 Standard Field Structure

Data is transmitted on the one-wire interface in byte-sized packets. The first bit of the OWI field is the start bit. The next eight bits of the field are data bits to be processed by the OWI control logic. The final bit in the OWI field is the stop bit. A group of fields make up a transmission frame. A transmission frame is composed of the fields necessary to complete one transmission operation on the one-wire interface. The standard field structure for a one-wire field is shown in Figure 9.

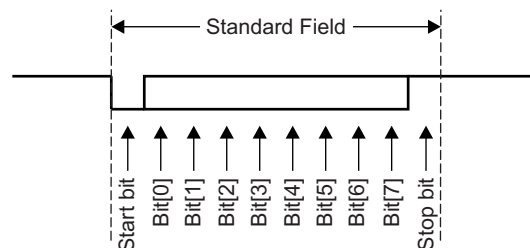
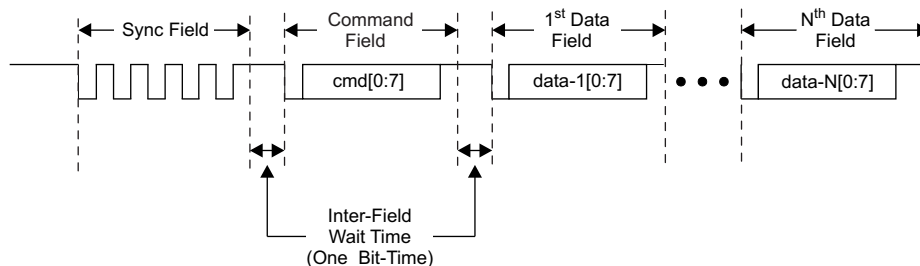


Figure 9. Standard OWI Field



### 7.3.12.3.1.2 Frame Structure

A complete one-wire data transmission operation is done in a frame with the structure is shown in [Figure 10](#).



**Figure 10. OWI Transmission Frame, N = 1 to 8**

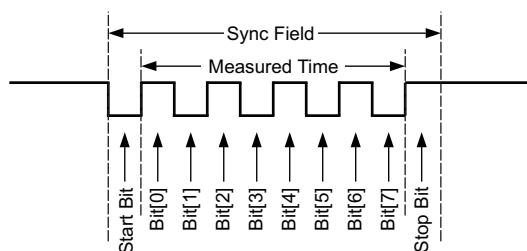
Each transmission frame must have a synchronization field and a command field followed by zero to a maximum of eight data fields. The sync field and command fields are always transmitted by the master device. The data fields may be transmitted either by the master or the slave, depending on the command given in the command field. It is the command field which determines direction of travel of the data fields (master-to-slave or slave-to-master). The number of data fields transmitted is also determined by the command in the command field. The inter-field wait time is optional and may be necessary for the slave or the master to process data that has been received.

#### NOTE

If the OWI remains idle in either the logic-0 or logic-1 state for more than 15 ms, then the PGA305 communication resets and requires a sync field as the next data transmission from the master.

### 7.3.12.3.1.3 Sync Field

The sync field is the first field in every frame that is transmitted by the master. The sync field is used by the slave device to compute the bit width transmitted by the master. This bit width is used to receive accurately all subsequent fields transmitted by the master. The format of the sync field is shown in [Figure 11](#).



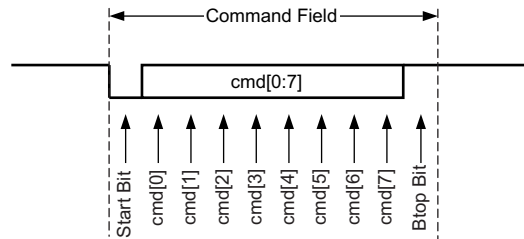
**Figure 11. OWI Sync Field**

#### NOTE

Consecutive sync-field bits are measured and compared to determine if a sync field was transmitted to the PGA305 device is valid. If the difference in bit widths of any two consecutive SYNC field bits is greater than  $\pm 25\%$ , then the PGA305 device ignores the rest of the OWI frame and does not respond to the OWI message.

### 7.3.12.3.1.4 Command Field

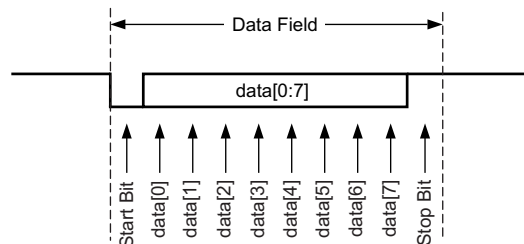
The command field is the second field in every frame sent by the master. The command field contains instructions about what to do with and where to send the data that is transmitted to the slave. The command field can also instruct the slave to send data back to the master during a read operation. The number of data fields to be transmitted is also determined by the command in the command field. The format of the command field is shown in Figure 12.



**Figure 12. OWI Command Field**

### 7.3.12.3.1.5 Data Fields

After the master has transmitted the command field in the transmission frame, zero or more data fields are transmitted to the slave (write operation) or to the master (read operation). The data fields can be raw EEPROM data or address locations in which to store data. The format of the data is determined by the command in the command field. The typical format of a data field is shown in Figure 13.



**Figure 13. OWI Data Field**

### 7.3.12.3.2 OWI Commands

The following is the list of five OWI commands supported by PGA305:

1. OWI write
2. OWI read initialization
3. OWI read response
4. OWI burst write of EEPROM cache
5. OWI burst read from EEPROM cache

#### 7.3.12.3.2.1 OWI Write Command

FIELD LOCATION	DESCRIPTION	BIT 7	BIT 6	BIT 5	BIT 4	BIT 3	BIT 2	BIT 1	BIT 0
Command field	Basic write command	0	P2	P1	P0	0	0	0	1
Data field 1	Destination address	A7	A6	A5	A4	A3	A2	A1	A0
Data field 2	Data byte to be written	D7	D6	D5	D4	D3	D2	D1	D0

The P2, P1, and P0 bits in the command field determine the memory page that is being accessed by the OWI. The memory page decode is shown in [Table 4](#).

**Table 4. OWI Memory Page Decode**

P2	P1	P0	MEMORY PAGE
0	0	0	Reserved
0	0	1	Reserved
0	1	0	Control and status registers, DI_PAGE_ADDRESS = 0x02
0	1	1	Reserved
1	0	0	Reserved
1	0	1	EEPROM cache
1	1	0	Reserved
1	1	1	Control and status registers, DI_PAGE_ADDRESS = 0x07

#### 7.3.12.3.2.2 OWI Read Initialization Command

FIELD LOCATION	DESCRIPTION	BIT 7	BIT 6	BIT 5	BIT 4	BIT 3	BIT 2	BIT 1	BIT 0
Command field	Read initialization command	0	P2	P1	P0	0	0	1	0
Data field 1	Fetch address	A7	A6	A5	A4	A3	A2	A1	A0

The P2, P1, and P0 bits in the command field determine the memory page that is being accessed by the OWI. The memory page decode is shown in [Table 4](#).

#### 7.3.12.3.2.3 OWI Read-Response Command

FIELD LOCATION	DESCRIPTION	BIT 7	BIT 6	BIT 5	BIT 4	BIT 3	BIT 2	BIT 1	BIT 0
Command field	Read-response command	0	1	1	1	0	0	1	1
Data field 1	Data retrieved (OWI drives data out)	D7	D6	D5	D4	D3	D2	D1	D0

The P2, P1, and P0 bits in the command field determine the memory page that is being accessed by the OWI. The memory page decode is shown in [Table 4](#).

#### 7.3.12.3.2.4 OWI Burst-Write Command (EEPROM Cache Access)

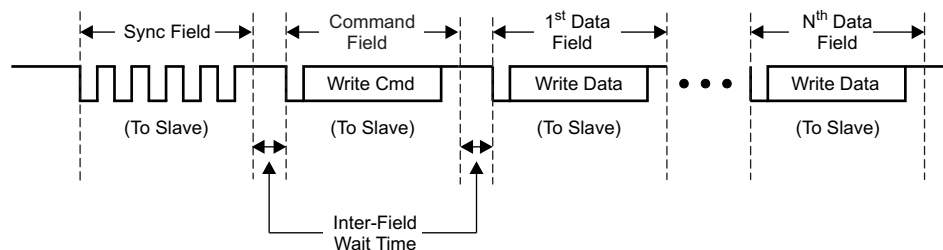
FIELD LOCATION	DESCRIPTION	BIT 7	BIT 6	BIT 5	BIT 4	BIT 3	BIT 2	BIT 1	BIT 0
Command field	EE_CACHE write-command cache bytes (0–7)	1	1	0	1	0	0	0	0
Data field 1	First data byte to be written	D7	D6	D5	D4	D3	D2	D1	D0
Data field 2	Second data byte to be written	D7	D6	D5	D4	D3	D2	D1	D0
Data field 3	Third data byte to be written	D7	D6	D5	D4	D3	D2	D1	D0
Data field 4	Fourth data byte to be written	D7	D6	D5	D4	D3	D2	D1	D0
Data field 5	Fifth data byte to be written	D7	D6	D5	D4	D3	D2	D1	D0
Data field 6	Sixth data byte to be written	D7	D6	D5	D4	D3	D2	D1	D0
Data field 7	Seventh data byte to be written	D7	D6	D5	D4	D3	D2	D1	D0
Data field 8	Eighth data byte to be written	D7	D6	D5	D4	D3	D2	D1	D0

**7.3.12.3.2.5 OWI Burst Read Command (EEPROM Cache Access)**

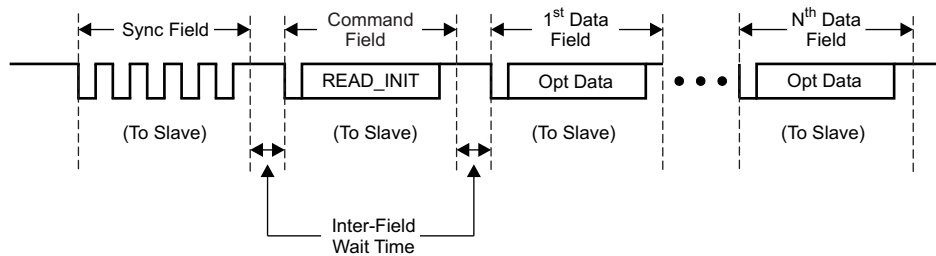
FIELD LOCATION	DESCRIPTION	BIT 7	BIT 6	BIT 5	BIT 4	BIT 3	BIT 2	BIT 1	BIT 0
Command field	Burst-read response (8 bytes)	1	1	0	1	0	0	1	1
Data field 1	First data byte retrieved EEPROM cache byte 0	D7	D6	D5	D4	D3	D2	D1	D0
Data field 2	Second data byte retrieved EEPROM cache byte 1	D7	D6	D5	D4	D3	D2	D1	D0
Data field 3	Third data byte retrieved EEPROM cache byte 2	D7	D6	D5	D4	D3	D2	D1	D0
Data field 4	Fourth data byte retrieved EEPROM cache byte 3	D7	D6	D5	D4	D3	D2	D1	D0
Data field 5	Fifth data byte retrieved EEPROM cache byte 4	D7	D6	D5	D4	D3	D2	D1	D0
Data field 6	Sixth data byte retrieved EEPROM cache byte 5	D7	D6	D5	D4	D3	D2	D1	D0
Data field 7	Seventh data byte retrieved EEPROM cache byte 6	D7	D6	D5	D4	D3	D2	D1	D0
Data field 8	Eighth data byte retrieved EEPROM cache byte 7	D7	D6	D5	D4	D3	D2	D1	D0

**7.3.12.3.3 OWI Operations**
**7.3.12.3.3.1 Write Operation**

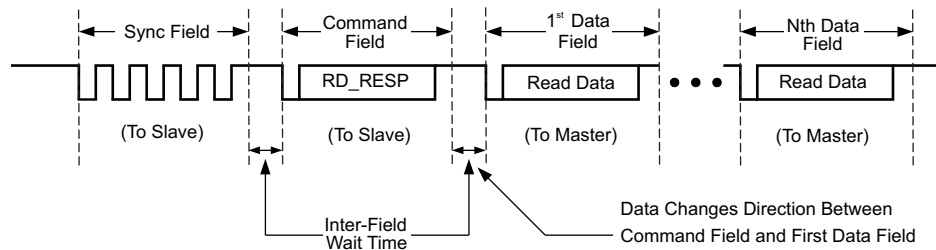
The write operation on the one-wire interface is fairly straightforward. The command field specifies the write operation, where the subsequent data bytes are to be stored in the slave, and how many data fields are going to be sent. Additional command instructions can be sent in the first few data fields if necessary. The write operation is shown in [Figure 14](#).


**Figure 14. Write Operation, N = 1 to 8**
**7.3.12.3.3.2 Read Operation**

The read operation requires two consecutive transmission frames to move data from the slave to the master. The first frame is the read-initialization frame. It tells the slave to retrieve data from a particular location within the slave device and prepare to send it over the OWI. The data location may be specified in the command field or may require additional data fields for complete data-location specification. The data is not sent until the master commands it to be sent in the subsequent frame called the read-response frame. During the read-response frame, the data direction changes from master → slave to slave → master immediately after the read response command field is sent. Enough time elapses between the command field and data field to allow the signal drivers to change direction. This wait time is 20 μs, and the timer for this wait time is located on the slave device. After this wait time is complete, the slave transmits the requested data. The master device is expected to have switched its signal drivers and is ready to receive data. The read frames are shown in [Figure 15](#).



**Figure 15. Read-Initialization Frame, N = 1 to 8**



**Figure 16. Read-Response Frame, N = 1 to 8**

**7.3.12.3.3 EEPROM Burst Write**

The user can use the EEPROM burst write to write eight bytes of data to the EEPROM cache with one OWI frame to allow fast programming of EEPROM. Note that the EEPROM page must be selected before the EEPROM can transfer the contents of the EEPROM memory cells to the EEPROM cache.

**7.3.12.3.4 EEPROM Burst Read**

The user can use the EEPROM burst read is used to read eight bytes of data from the EEPROM cache with one OWI frame to allow a fast reading of the EEPROM cache contents. The read process is used to verify the writes to the EEPROM cache.

**7.3.12.4 OWI Communication-Error Status**

The PGA305 device detects errors in OWI communication. The OWI\_ERROR\_STATUS\_LO and OWI\_ERROR\_STATUS\_HI registers contain OWI communication error bits. The communication errors detected include:

- Out-of-range communication baud rate
- Invalid SYNC field
- Invalid STOP bits in command and data
- Invalid OWI command

**7.3.13 I<sup>2</sup>C Interface**

The device includes an I<sup>2</sup>C digital communication interface capable of running up to 800 kHz. The main function of the I<sup>2</sup>C is to enable data capture from the PGA305 device as well as writes and reads from all registers available for I<sup>2</sup>C access.

**7.3.13.1 Overview of I<sup>2</sup>C Interface**

I<sup>2</sup>C is a synchronous serial communication standard that requires the following two pins for communication:

- SDA: I<sup>2</sup>C serial data line (SDA)
- SCL: I<sup>2</sup>C serial clock line (SCL)

In addition, the I2CADDR pin is used to select the I<sup>2</sup>C device address of PGA305. Specifically:

- I2CADDR - Logic 1 - Device address - 0x20, 0x22, 0x25 depending on the Digital Interface Page that is accessed.

- I2CADDR - Logic 0 - Device address - 0x40, 0x42, 0x45 depending on the Digital Interface Page that is accessed.

It is noted that for valid I<sup>2</sup>C communication to occur I2CADDR should not change value during an I<sup>2</sup>C transaction.

I<sup>2</sup>C communicates in a master-and-slave style communication bus where one device, the master, can initiate data transmission. The device always acts as the slave device in I<sup>2</sup>C communication where the external device that communicates to it acts as the master. The master device is responsible for initiating communication over the SDA line and supplying the clock signal on the SCL line. When the I<sup>2</sup>C SDA line is pulled low, it is considered a logical zero, and when the I<sup>2</sup>C SDA line is floating high, it is considered a logical one. For the I<sup>2</sup>C interface to have access to the configuration registers, the IF\_SEL and the COMPENSATION\_RESET bits in the COMPENSATION\_CONTROL register have to be set to logic one.

### 7.3.13.2 Clocking Details of I<sup>2</sup>C Interface

The device samples the data on the SDA line when the rising edge of the SCL line is high, and is changed when the SCL line is low. The only exceptions to this indication are a start, stop, or repeated start condition as shown in Figure 17.

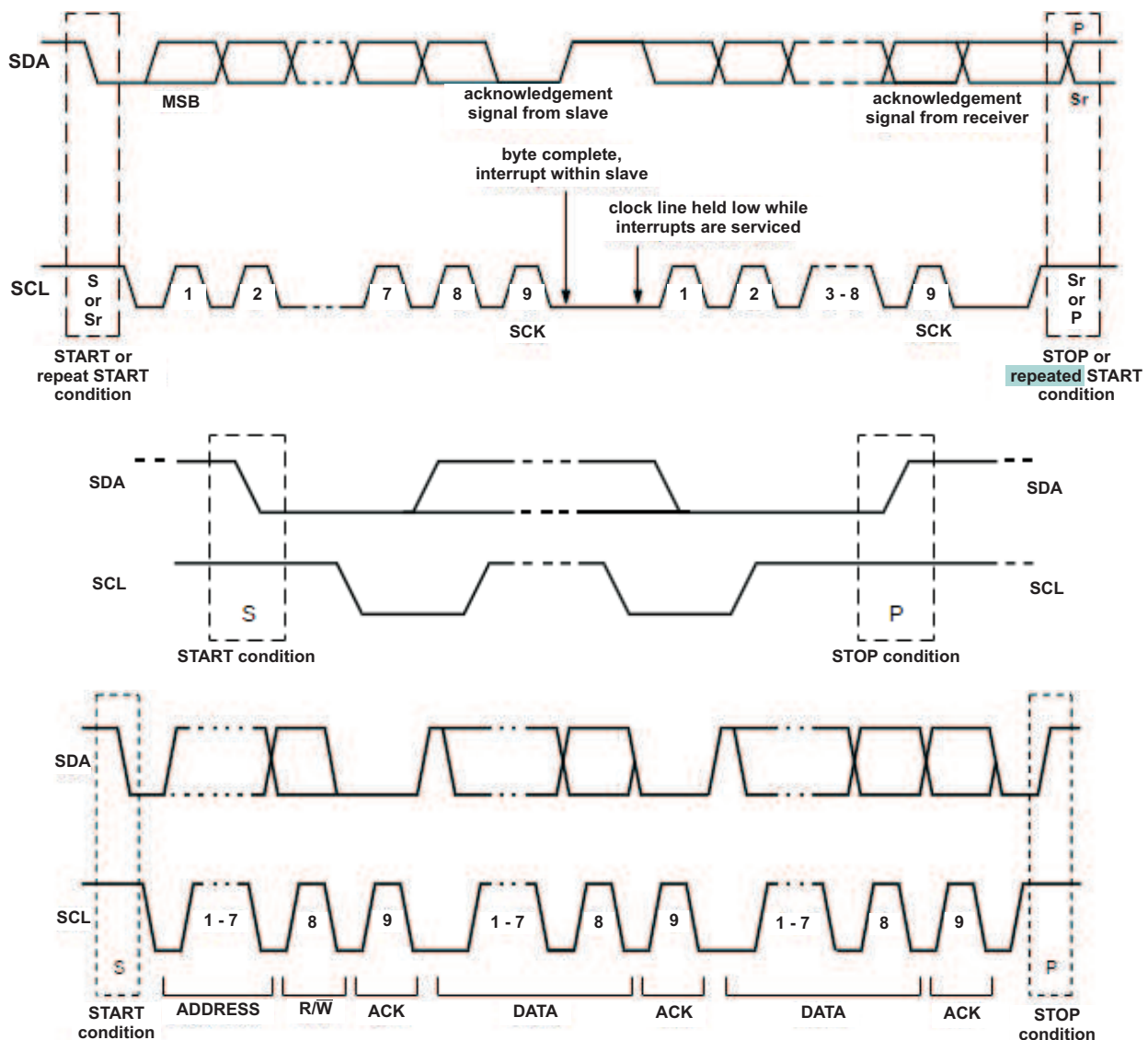


Figure 17. I<sup>2</sup>C Clocking Details

7.3.13.3 I<sup>2</sup>C Interface Protocol

Figure 18 shows the basic protocol of the I<sup>2</sup>C frame for a Write operation.

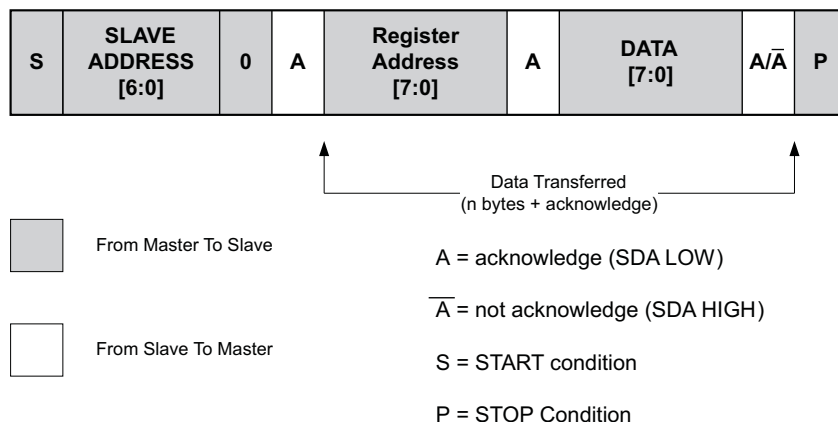


Figure 18. I<sup>2</sup>C Write Operation: A Master-Transmitter Addressing a PGA305 Slave With a 7-Bit Slave Address

The diagram represents the data fed into or out from the I<sup>2</sup>C SDA port.

The basic data transfer is to send two bytes of data to the specified slave address. The first data field is the register address and the second data field is the data sent or received.

The I<sup>2</sup>C slave address is used to determine which memory page is being referenced. Table 5 shows the mapping of the slave address to the memory page.

Table 5. Slave Addresses

SLAVE ADDRESS WHEN I2CADDR = 1	SLAVE ADDRESS WHEN I2CADDR = 0	PGA305 MEMORY PAGE
0x20	0x40	PGA305 Data Read and COMPENSATION_CONTROL register (di_page_address = 0x00)
0x22	0x42	Control and Status Registers (di_page_address = 0x02)
0x25	0x45	EEPROM Registers (di_page_address = 0x05)

Figure 19 shows the basic PGA305 I<sup>2</sup>C protocol for a read operation.

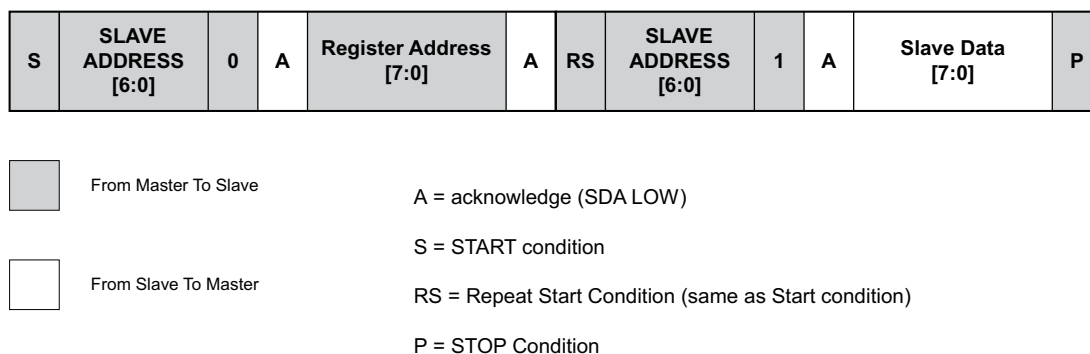


Figure 19. I<sup>2</sup>C Read Operation: A Master-Transmitter Addressing a PGA305 Slave With a 7-Bit Slave Address

The slave address determines the memory page. The R/W bit is set to 0.

The register address specifies the 8-bit address of the requested data.

The repeat start condition replaces the write data from the above write operation description. This informs the PGA305 devices that Read operation will take place instead of a write operation.

The second slave address contains the memory page from which the data will be retrieved. The R/W bit is set to 1.

Slave data is transmitted after the acknowledge is received by the master.

[Table 6](#) lists a few examples of I<sup>2</sup>C Transfers.

**Table 6. I<sup>2</sup>C Transfers Examples**

COMMAND	MASTER TO SLAVE DATA ON I2C SDA (I2CADDR = 0)	MASTER TO SLAVE DATA ON I <sup>2</sup> C SDA (I2CADDR = 1)
Write 0x80 to Control and Status Registers 0x30 (DAC_REG0_1)	Slave address: 010 0010 Register address: 0011 0000 Data: 1000 0000	Slave address: 100 0010 Register address: 0011 0000 Data: 1000 0000
Read from EEPROM Byte 7	Slave Address: 010 0101 Register Address: 0000 0111	Slave Address: 100 0101 Register Address: 0000 0111
Write to EEPROM Cache Byte 7	Slave Address: 010 0101 Register Address: 1000 0111	Slave Address: 100 0101 Register Address: 1000 0111

### 7.3.13.4 PGA305 I<sup>2</sup>C Runtime Commands

During the PGA305 Operation while the Compensation Algorithm runs (COMPENSATION\_RESET = 0), the I<sup>2</sup>C interface can collect data from the device when the interface sends I2C commands to the PGA305 device and reads a response from the PGA305 device. The runtime commands used in the PGA305 device are listed in [Table 7](#).

Note that the register address used for I<sup>2</sup>C Write Command is always 0x09 on DI Page 0x00.

**Table 7. I<sup>2</sup>C Runtime Write Commands**

I <sup>2</sup> C WRITE COMMAND	Description	Data Format (I2CADDR = 0)	Data Format (I2CADDR = 1)
0x00 - Read PADC Source Value	Reads one 24bit sample from the PADC Channel	Slave address: 100 0000 (Slave Address + DI Page) Register address: 0000 1001 (Register Address) Data: 0000 0000 (Data)	Slave address: 010 0000 (Slave Address + DI Page) Register address: 0000 1001 (Register Address) Data: 0000 0000 (Data)
0x02 - Read TADC Source Value	Reads one 24-bit sample from the TADC Channel	Slave address: 100 0000 (Slave Address + DI Page) Register address: 0000 1001 (Register Address) Data: 0000 0010 (Data)	Slave address: 010 0000 (Slave Address + DI Page) Register address: 0000 1001 (Register Address) Data: 0000 0010 (Data)
0x04 - Read PGA305 Compensated Output Value	Reads One 24-bit or 16-bit sample from the Compensated output of the device. The same value that is read by using this command is fed into the DAC output of the PGA305 device.	Slave address: 100 0000 (Slave Address + DI Page) Register address: 0000 1001 (Register Address) Data: 0000 0100 (Data)	Slave address: 010 0000 (Slave Address + DI Page) Register address: 0000 1001 (Register Address) Data: 0000 0100 (Data)
0x06 - Read PGA305 Diagnostics	Reads the PGA305 Diagnostics. For more Information see "Reading Diagnostics Information through I2C" Chapter.	Slave address: 100 0000 (Slave Address + DI Page) Register address: 0000 1001 (Register Address) Data: 0000 0110 (Data)	Slave address: 010 0000 (Slave Address + DI Page) Register address: 0000 1001 (Register Address) Data: 0000 0110 (Data)



**Table 7. I<sup>2</sup>C Runtime Write Commands (continued)**

I <sup>2</sup> C WRITE COMMAND	Description	Data Format (I2CADDR = 0)	Data Format (I2CADDR = 1)
0x70 - Read Trail Word	Loads the lower 16bits of any previously executed command	Slave address: 100 0000 (Slave Address + DI Page) Register address: 0000 1001 (Register Address) Data: 0111 0000 (Data)	Slave address: 010 0000 (Slave Address + DI Page) Register address: 0000 1001 (Register Address) Data: 0111 0000 (Data)

After the I<sup>2</sup>C interface sends a Write Command to the PGA305 device, the I<sup>2</sup>C interface reads the response is read through a read response command presented in the following table.

Note that there are two 8-bit I<sup>2</sup>C registers that are used to read 16 bits of PGA305 response. The register addresses used for I<sup>2</sup>C Read Response are 0x05 on DI Page 0x00 for the Most Significant Byte and 0x04 on DI Page 0x00 for the Least Significant Byte.

**Table 8. I<sup>2</sup>C Runtime Read Response Command**

I <sup>2</sup> C Read Response	Data Format (I2CADDR = 0)	Data Format (I2CADDR = 1)
Read Most Significant Byte	Slave address: 100 0000 (Slave Address + DI Page) Register address: 0000 0101 (Register Address) Data: 0000 0000 (Data)	Slave address: 010 0000 (Slave Address + DI Page) Register address: 0000 0101 (Register Address) Data: 0000 0000 (Data)
Read Least Significant Byte	Slave address: 100 0000 (Slave Address + DI Page) Register address: 0000 0100 (Register Address) Data: 0000 0000 (Data)	Slave address: 010 0000 (Slave Address + DI Page) Register address: 0000 0100 (Register Address) Data: 0000 0000 (Data)

### 7.3.13.5 PGA305 I<sup>2</sup>C Transfer Example

This I<sup>2</sup>C example presents the read of a single 24-bit sample from the PGA device. In this example, Command 0x04 *Read PGA305 Compensated Output Value* is used while the PGA305 slave address is 0x20 (I2CADDR = 1).

**Table 9. I<sup>2</sup>C Transfer Example**

I <sup>2</sup> C Data Flow Description	I2C Master	PGA305
1. Master Sends Command 0x04 (Read PGA305 Compensated Output Value)	0x40 (Slave Address + DI Page + R/W bit) 0x09(Register Address) 0x04 (Data)	Acknowledge Acknowledge Acknowledge
2. Master Reads Byte2 (MS Byte)	0x40 (Slave Address + DI Page + R/W bit) 0x04(Register Address) 0x41 (Slave Address + DI Page + R/W bit)	Acknowledge Acknowledge 0xbb (Where 'bb' is the data Value)
3. Master sends Commands 0x70 (Read Trail Word)	0x40 (Slave Address + DI Page + R/W bit) 0x09(Register Address) 0x70 (Data)	Acknowledge Acknowledge Acknowledge
4. Master Reads Byte1 (Mid Significant Byte)	0x40 (Slave Address + DI Page + R/W bit) 0x05(Register Address) 0x41 (Slave Address + DI Page + R/W bit)	Acknowledge Acknowledge 0xbb (Where 'bb' is the data Value)
5. Master Reads Byte0 (Least Significant Byte)	0x40 (Slave Address + DI Page + R/W bit) 0x04(Register Address) 0x41 (Slave Address + DI Page + R/W bit)	Acknowledge Acknowledge 0xbb (Where 'bb' is the data Value)

If the PGA305 device operates in 16-bit mode ( $ADC\_24BIT\_EN = 0$ ), step 2 can be skipped.

### 7.3.14 DAC Output

The device includes a 14-bit digital-to-analog converter that produces an absolute output voltage with respect to the accurate reference voltage or a ratiometric output voltage with respect to the PWR supply.

When the microprocessor undergoes a reset, the DAC registers are driven to the 0x000 code.

#### 7.3.14.1 Ratiometric vs Absolute

Use the DAC\_RATIOMETRIC bit in DAC\_CONFIG to configure the DAC output in either ratiometric-to-PWR mode or independent-of-PWR (or absolute) mode.

---

#### NOTE

In ratiometric mode, changes in the  $V_{PWR}$  voltage result in a proportional change in the output voltage because the current reference for the DAC is derived from  $V_{PWR}$ .

---

### 7.3.15 DAC Gain

The DAC gain buffer is a configurable buffer stage for the DAC output. The DAC gain amplifier can be configured to operate in voltage amplification mode for voltage output or current amplification mode for 4-mA to 20-mA applications. In voltage output mode, set the DAC\_GAIN bits in the DAC\_CONFIG register to a specific value to configure the DAC gain as shown in [Figure 20](#). Use the 2-bit DAC\_GAIN field to configure the DAC gain to one of four possible gain configurations.

The final step of DAC gain is connected to PWR and ground, which gives the user the ability to drive the  $V_{OUT}$  voltage close to the  $V_{PWR}$  voltage.

The DAC gain buffer also implements a COMP pin to allow the user to implement compensation when driving large capacitive loads.

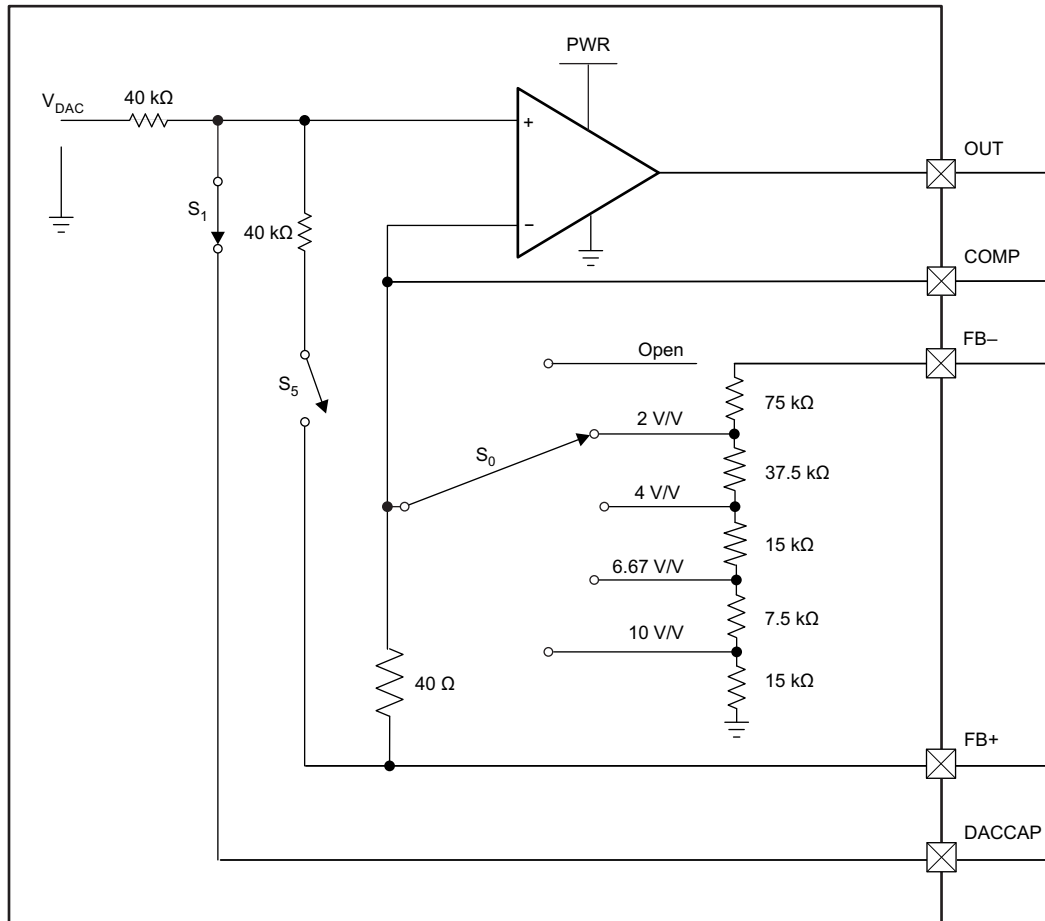
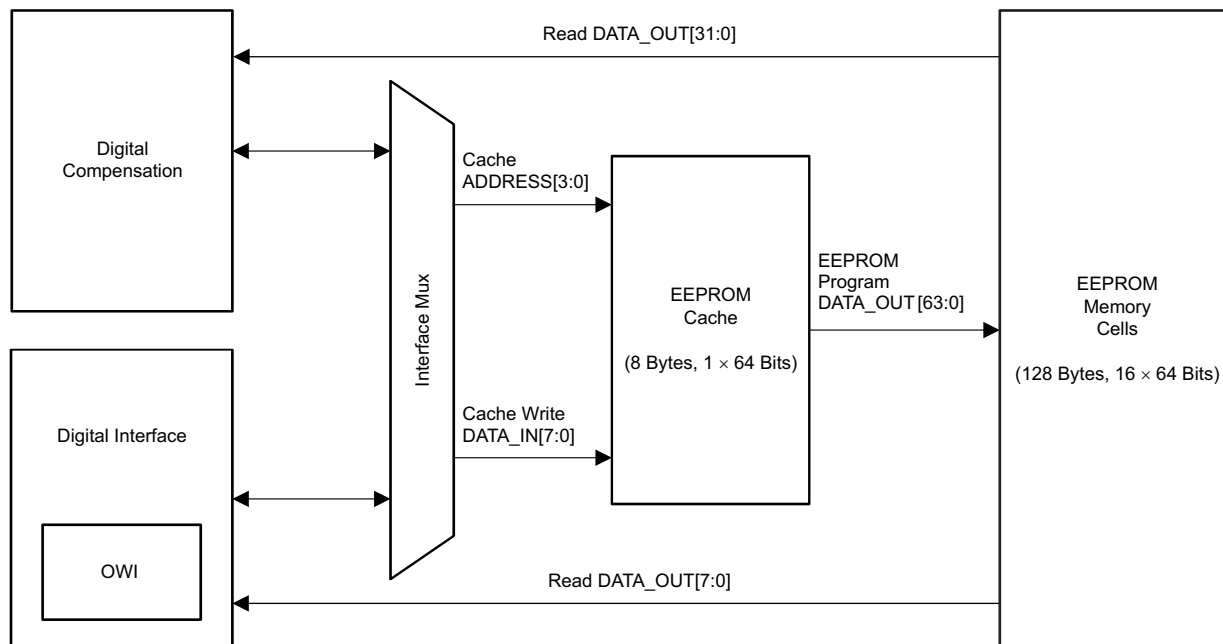


Figure 20. PGA305 Output Buffer

## 7.3.16 Memory

### 7.3.16.1 EEPROM Memory

Figure 21 shows the EEPROM structure. The contents of the EEPROM must be transferred to the EEPROM cache before writes. This means that the EEPROM can be programmed eight bytes at a time. EEPROM reads occur without the EEPROM cache.



**Figure 21. Structure of the EEPROM Interface**

#### 7.3.16.1.1 EEPROM Cache

The EEPROM cache serves as temporary storage of data being transferred to selected EEPROM locations during the programming process.

#### 7.3.16.1.2 EEPROM Programming Procedure

For programming the EEPROM, the EEPROM is organized in 16 pages of eight bytes each. Write to the 8-byte EEPROM cache to program the EEPROM memory cells. Select the EEPROM memory page to transfer the contents of the EEPROM cache.

1. Write the upper four bits of the 7-bit EEPROM address to the EEPROM\_PAGE\_ADDRESS register to select the EEPROM page.
2. Write to the EEPROM\_CACHE register to load the 8-byte EEPROM cache. Note that all eight bytes must be loaded into the EEPROM\_CACHE register.
3. Set the ERASE\_AND\_PROGRAM bit in the EEPROM\_CTRL register. Setting this bit automatically erases the selected EEPROM memory page and programs it with the contents of the EEPROM\_CACHE register. Alternatively, the user can write 1 to the ERASE bit in the EEPROM\_CTRL register to erase the selected EEPROM memory page, and then write 1 to the PROGRAM bit in the EEPROM\_CTRL register once the erase is complete. The status of the erase and program operations can be monitored through the EEPROM\_STATUS register.

#### 7.3.16.1.3 EEPROM Programming Current

The EEPROM programming process results in an additional 6-mA current on the PWR pin for the duration of programming.

#### 7.3.16.1.4 CRC

The last byte of the EEPROM memory is reserved for the CRC. This CRC value covers all data in the EEPROM memory. Every time the last byte is programmed, the CRC value is automatically calculated and validated. The validation process checks the calculated CRC value with the last byte programmed in the EEPROM memory cell. If the calculated CRC matches the value programmed in the last byte, the CRC\_GOOD bit is set in the EEPROM\_CRC\_STATUS register.

The user can set the CALCULATE\_CRC bit in the EEPROM\_CRC register to initiate the CRC check. The status of the CRC calculation is available in the CRC\_CHECK\_IN\_PROG bit in the EEPROM\_CRC\_STATUS register, while the result of the CRC validation is available in the CRC\_GOOD bit in the EEPROM\_CRC\_STATUS register.

The CRC calculation pseudo code is as follows:

```

currentCRC8 = 0xFF; // Current value of CRC8

for NextData
  D = NextData;
  C = currentCRC8;

  begin
    nextCRC8_BIT0 = D_BIT7 ^ D_BIT6 ^ D_BIT0 ^ C_BIT0 ^ C_BIT6 ^ C_BIT7;
    nextCRC8_BIT1 = D_BIT6 ^ D_BIT1 ^ D_BIT0 ^ C_BIT0 ^ C_BIT1 ^ C_BIT6;
    nextCRC8_BIT2 = D_BIT6 ^ D_BIT2 ^ D_BIT1 ^ D_BIT0 ^ C_BIT0 ^ C_BIT1 ^ C_BIT2 ^ C_BIT6;
    nextCRC8_BIT3 = D_BIT7 ^ D_BIT3 ^ D_BIT2 ^ D_BIT1 ^ C_BIT1 ^ C_BIT2 ^ C_BIT3 ^ C_BIT7;
    nextCRC8_BIT4 = D_BIT4 ^ D_BIT3 ^ D_BIT2 ^ C_BIT2 ^ C_BIT3 ^ C_BIT4;
    nextCRC8_BIT5 = D_BIT5 ^ D_BIT4 ^ D_BIT3 ^ C_BIT3 ^ C_BIT4 ^ C_BIT5;
    nextCRC8_BIT6 = D_BIT6 ^ D_BIT5 ^ D_BIT4 ^ C_BIT4 ^ C_BIT5 ^ C_BIT6;
    nextCRC8_BIT7 = D_BIT7 ^ D_BIT6 ^ D_BIT5 ^ C_BIT5 ^ C_BIT6 ^ C_BIT7;
  end

  currentCRC8 = nextCRC8_D8;
endfor

```

#### NOTE

The EEPROM CRC calculation is complete 340  $\mu$ s after the digital core starts running at power up.

### 7.3.16.2 Control and Status Registers Memory

The digital compensator uses the Control and Status registers to interact with the analog blocks of the device.

### 7.3.17 Diagnostics

The PGA305 device implements the diagnostics listed in [Table 10](#).

**Table 10. Programming Diagnostics**

DIAGNOSTICS DESCRIPTION	ACTION
Digital-compensation-logic execution-timing error	DAC is disabled and compensation logic is set to reset
Digital-compensation-logic checksum error	DAC is disabled and compensation logic is set to reset
EEPROM is corrupted or EEPROM CRC = 0	DAC code is driven to 0 code
Power-supply and signal-chain errors	DAC output is driven to the value determined by the FAULT register in EEPROM

The user can set the DIAG\_ENABLE register in EEPROM to a non-zero value to enable the diagnostics listed in [Table 10](#). To disable diagnostics, set the DIAG\_ENABLE register in EEPROM to 0.

### 7.3.17.1 Power Supply Diagnostics

The PGA305 device includes circuits to monitor the reference and power supply for faults. Specifically, the signals that are monitored are:

- AVDD voltage
- DVDD voltage
- Bridge supply voltage
- Internal oscillator supply voltage
- Reference output voltage

The [Electrical Characteristics – Diagnostics](#) table lists the voltage thresholds for each of the power rails.

### 7.3.17.2 Signal Chain Faults

The PGA305 device includes circuits to monitor the P and T signal chains for faults. This section describes the faults monitored by the PGA305 device.

#### 7.3.17.2.1 P Gain and T Gain Input Faults

The PGA305 device includes circuits to monitor for sensor connectivity faults. Specifically, the device monitors the bridge sensor pins for opens (including loss of connection from the sensor), short to ground, and short-to-sensor supply. The device can compare the voltage at INP+ and INP– pins with the overvoltage and undervoltage thresholds listed in the [Electrical Characteristics – Diagnostics](#) table as a way to monitor for sensor connectivity faults.

The device also includes an overvoltage monitor at the INT+ and INT– pins through the use of 1-M $\Omega$  pullup resistors.

[Figure 22](#) shows the block diagram of the P gain and T gain input faults.

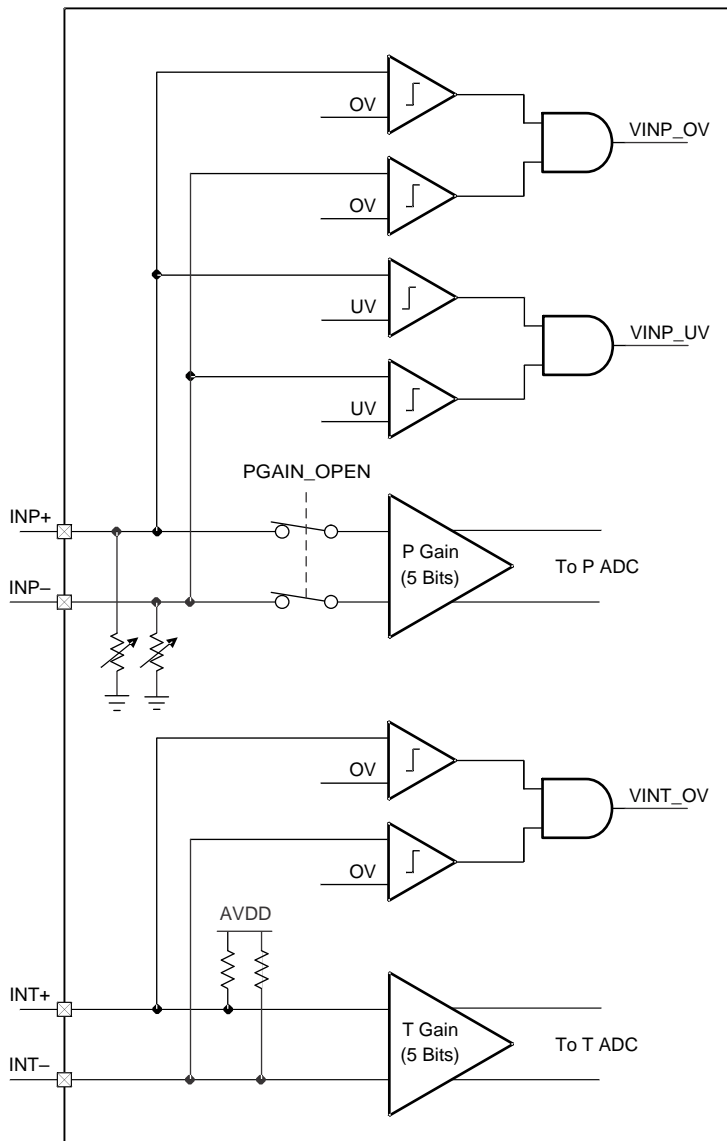


Figure 22. Block Diagram of P Gain and T Gain Diagnostics

The bridge-sensor connectivity faults are detected through the use of an internal pulldown resistor. The value of the pulldown resistor and the threshold can be configured using the AFEDIAG\_CFG EEPROM register. Table 11 describes the possible configurations.

Table 11. Definition of AFEDIAG\_CFG EEPROM Register

BITS	DESCRIPTION
0: PD1 1: PD2	See <a href="#">Electrical Characteristics – Diagnostics</a> .
2: THRS[0] 3: THRS[1] 4: THRS[2]	See <a href="#">Electrical Characteristics – Diagnostics</a> .
5: DIS_R_P	1: Disables pulldown resistors used for open and short diagnostics on the INP+ and INP– pins 0: Enables pulldown resistors used for open and short diagnostics on the INP+ and INP– pins
6: DIS_R_T	1: Disables pullup resistors used for open and short diagnostics on the INT+ and INT– pins 0: Enables pullup resistors used for open and short diagnostics on the INT+ and INT– pins
7:	—

### 7.3.17.2.2 P Gain and T Gain Output Diagnostics

The PGA305 device includes modules that verify that the output signal of each gain is within a certain range. This ensures that gain stages in the signal chain are working correctly.

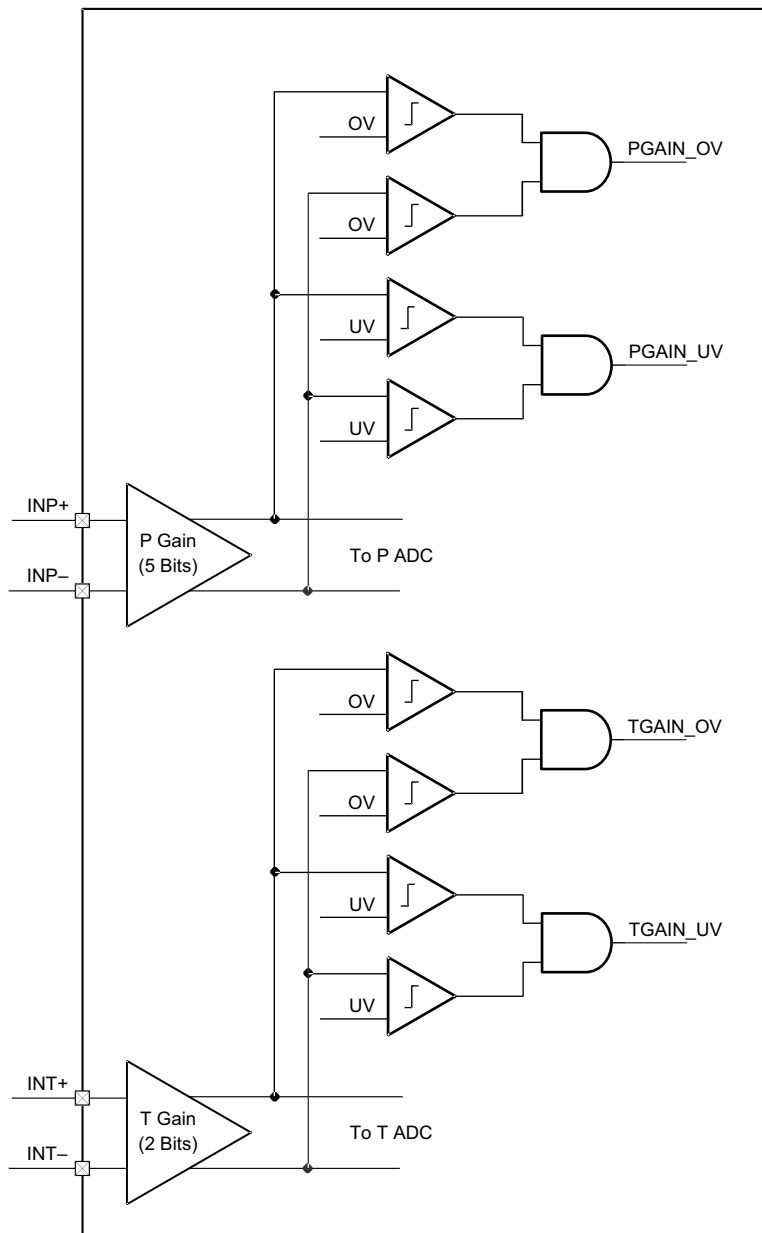


Figure 23. Block Diagram of P Gain and T Gain Output Diagnostics

### 7.3.17.2.3 Masking Signal Chain Faults

Use the bits in the AFEDIAG\_MASK register in EEPROM to selectively enable and disable the signal chain diagnostics. Table 12 lists the mask bits. The user can set a bit to 1 enables detection of the corresponding fault and set the bit to 0 to disable the detection of corresponding fault.

Table 12. Signal Chain Fault Masking Bits

BIT	DESCRIPTION
0	INP+ or INP– overvoltage
1	INP+ or INP– undervoltage



**Table 12. Signal Chain Fault Masking Bits (continued)**

BIT	DESCRIPTION
2	INT+ or INT– overvoltage
3	N/A
4	P GAIN output overvoltage
5	P GAIN output undervoltage
6	T GAIN output overvoltage
7	T GAIN output undervoltage

### 7.3.17.2.4 Fault Detection Timing

The PGA305 fault-monitoring circuits monitor faults either at power up or periodically. [Table 13](#) shows the fault-detection timing.

**Table 13. Fault Detection Timing**

FAULT	POWER UP OR RUN TIME	MINIMUM TIME AFTER FAULT OCCURS	MAXIMUM TIME AFTER FAULT OCCURS
Digital-compensation execution-timing error	Run time	500 ms	—
Digital-compensation checksum error	Run time	500 ms	—
EEPROM is corrupted or EEPROM CRC = 0	Power up only (EEPROM is accessed only at power up)	N/A	N/A
Power supply and signal chain errors	Run time	8 ms	16 ms

### 7.3.18 Reading Diagnostics Information Through I<sup>2</sup>C

To receive Diagnostics Information through the I<sup>2</sup>C Interface while the PGA305 compensation algorithm runs, the I<sup>2</sup>C command 0x06 is used. The Implemented Diagnostics in PGA305 are stuck fault, which means that if a diagnostic fault occurred in the past, this will be reported when the next diagnostics read occurs even in the case where the fault is not present in the system any longer. When the I<sup>2</sup>C command has been received, the I<sup>2</sup>C will report the Power Supply diagnostics and the Analog Front End Diagnostics and will clear the stuck diagnostic flags.

The I<sup>2</sup>C example in [Table 14](#) shows the diagnostics read process from the PGA device. In this example the PGA305 slave address is assumed to be 0x20 (I2CADDR = 1).

**Table 14. Diagnostics Information**

I2C Data Flow Description	I2C Master	PGA305
1. Master Sends Command 0x06 (Read PGA305 Diagnostics)	0x40 (Slave Address + DI Page + R/W bit) 0x09(Register Address) 0x06 (Data)	Acknowledge Acknowledge Acknowledge
2. Master Reads Byte1 (Power Supply Diagnostics)	0x40 (Slave Address + DI Page + R/W bit) 0x05(Register Address) 0x41 (Slave Address + DI Page + R/W bit)	Acknowledge Acknowledge 0xbb (Where 'bb' is the data Value)
2. Master Reads Byte0 (Analog Front-End Diagnostics)	0x40 (Slave Address + DI Page + R/W bit) 0x04(Register Address) 0x41 (Slave Address + DI Page + R/W bit)	Acknowledge Acknowledge 0xbb (Where 'bb' is the data Value)

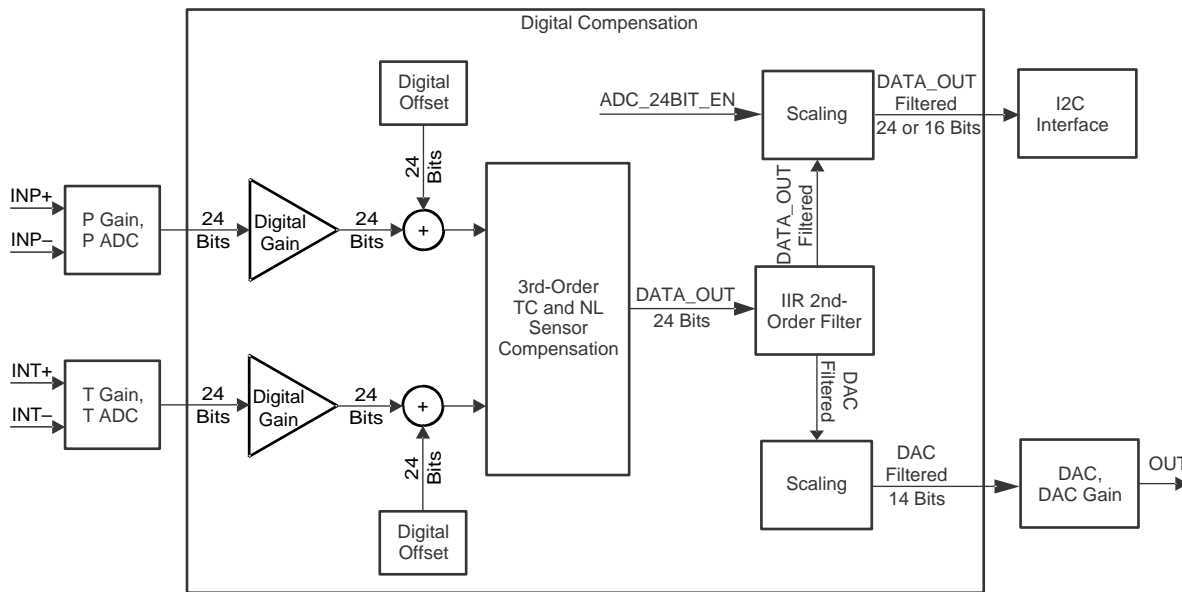
Further, [Table 15](#) lists the bits that order for the Power Supply Diagnostics (Byte1) and the Analog Front End Diagnostics (Byte2).

**Table 15. Diagnostics Information**

Power Supply (Byte 1)	Analog Front End (Byte 0)
Bit 7: Digital Regulator DVDD Under Voltage (DVDD_UV)	Bit 7: Temperature Channel AFE Output Under Voltage (TGAIN_UV)
Bit 6: Digital Regulator DVDD Over Voltage (DVDD_OV)	Bit 6: Temperature Channel AFE Output Over Voltage (TGAIN_OV)
Bit 5: Analog Regulator AVDD Under Voltage (AVDD_UV)	Bit 5: Pressure Channel AFE Output Under Voltage (PGAIN_UV)
Bit 4: Analog Regulator AVDD Over Voltage (AVDD_OV)	Bit 4: Pressure Channel AFE Output Over Voltage (PGAIN_OV)
Bit 3: Reference Under Voltage (REF_UV)	Bit 3: Unused (N/A)
Bit 2: Reference Over Voltage (REF_OV)	Bit 2: INT+ and INT- pins Over Voltage (INT_OV)
Bit 1: Bridge Supply Over Voltage (VBRG_OV)	Bit 1: INP+ and INP- pins Under Voltage (INP_UV)
Bit 0: Bridge Supply Under Voltage (VBRG_UV)	Bit 0: INP+ and INP- pins Over Voltage (INP_OV)

### 7.3.19 Digital Compensation and Filter

The PGA305 device implements a third-order TC and NL correction of the pressure and temperature inputs. The user can use a second-order IIR filter to filter and write the corrected output to the DAC as shown in [Figure 24](#).



**Figure 24. Digital Transfer Block Diagram**

#### 7.3.19.1 Digital Gain and Offset

The digital compensation implements digital gain and offset for both pressure and temperature. These are calculated based on the OFF\_EN bit in the OFFSET\_ENABLE register. Use [Equation 2](#) and [Equation 3](#) when the OFF\_EN bit is 0.

$$P = P_{GAIN} \times P_{ADC} + P_{OFFSET}$$

where

- $P_{GAIN}$  is the Pressure digital gain defined by the PADC\_GAIN\_MSB, PADC\_GAIN\_LSB registers
- $P_{OFFSET}$  is the Pressure digital offset defined by the PADC\_OFFSET\_BYTE1, PADC\_OFFSET\_BYTE0 (MSB, LSB) registers
- $P$  is the pressure

- P ADC is the pressure digital output (2)

$$T = T_{\text{GAIN}} \times T_{\text{ADC}} + T_{\text{OFFSET}}$$

where

- $T_{\text{GAIN}}$  is the Temperature digital gain defined by the TADC\_GAIN\_MSB, TADC\_GAIN\_LSB registers
- $T_{\text{OFFSET}}$  is the Temperature digital offset defined by the TADC\_OFFSET\_BYTE1, TADC\_OFFSET\_BYTE0 (MSB, LSB) registers
- T is the temperature
- T ADC is the temperature digital output (3)

Use Equation 4 and Equation 5 if the OFF\_EN bit is set to 1:

$$P = P_{\text{GAIN}} \times (P_{\text{ADC}} + P_{\text{OFFSET}})$$

where

- $P_{\text{GAIN}}$  is the Pressure digital gain defined by the PADC\_GAIN\_MSB, PADC\_GAIN\_LSB registers
- $P_{\text{OFFSET}}$  is the Pressure digital offset defined by the PADC\_OFFSET\_BYTE1, PADC\_OFFSET\_BYTE0 (MSB, LSB) registers
- P is the pressure
- P ADC is the pressure digital output (4)

$$T = T_{\text{GAIN}} \times (T_{\text{ADC}} + T_{\text{OFFSET}})$$

where

- $T_{\text{GAIN}}$  is the Temperature digital gain defined by the TADC\_GAIN\_MSB, TADC\_GAIN\_LSB registers
- $T_{\text{OFFSET}}$  is the Temperature digital offset defined by the TADC\_OFFSET\_BYTE1, TADC\_OFFSET\_BYTE0 (MSB, LSB) registers
- T is the temperature
- T ADC is the temperature digital output (5)

#### NOTE

For high-offset sensors or sensor bridges with a low or high common mode, it may be useful to use the Offset Enabled (OFF\_EN = 1) option which will cancel the offset and the amplify the values in the digital domain. The PGA305 device allows the ability to cancel the offset and amplify the signal further before being used in the compensation equation. The determination of the digital gain and offset values is implemented automatically by the PGA305 GUI.

### 7.3.19.2 TC and NL Correction

Use Equation 6 to calculate the digital compensation.

$$\text{DATA\_OUT} = (h_0 + h_1 \times T + h_2 \times T^2 + h_3 \times T^3) + (g_0 + g_1 \times T + g_2 \times T^2 + g_3 \times T^3) \times P + (n_0 + n_1 \times T + n_2 \times T^2 + n_3 \times T^3) \times P^2 + (m_0 + m_1 \times T + m_2 \times T^2 + m_3 \times T^3) \times P^3$$

where

- DATA\_OUT = Data that is available to read using the I<sup>2</sup>C Interface
- DAC = Digitally compensated value at the input of the DAC
- $h_x$ ,  $g_x$ ,  $n_x$  and  $m_x$  are TC and NL compensation coefficients programmed in EEPROM
- P is pressure
- T is temperature (6)

DAC = DATA\_OUT / 1024 in 24-bit mode, or

DAC = DATA\_OUT / 4 in 16-bit mode

#### 7.3.19.2.1 TC and NL Coefficients

The PGA305 device implements third-order TC and NL compensation of the bridge offset, bridge span, and bridge nonlinearity. The equation has 16 coefficients, and hence requires at least 16 different measurement points to compute a unique set of 16 coefficients. Use Equation 7 to calculate the TC-compensated DAC output.

$$\text{DATA\_OUT} = (h_0 + h_1 T + h_2 T^2 + h_3 T^3) + (g_0 + g_1 T + g_2 T^2 + g_3 T^3) \times P + (n_0 + n_1 T + n_2 T^2 + n_3 T^3) \times P^2 + (m_0 + m_1 T +$$

$$m_2T^2 + m_3T^3) \times P^3 \tag{7}$$

The 16 different P ADC and T ADC measurements can be made, for example, at four temperatures and at four different pressures. Note that:

- P GAIN and T GAIN values must be set to a fixed value for all measurements.
- At each measurement point, the P ADC value and the T ADC value must be recorded in order to compute the 16 coefficients.
- Sometimes, it may be expensive to measure P ADC and T ADC at different temperatures and pressures. In this case, there are three approaches:
  - Use a model of the bridge to estimate P ADC and T ADC measurements instead of actually measuring.
  - Use *batch modeling*, in which a family of sense elements is characterized across temperature, and the TC coefficients of the compensation equation are determined prior to calibration. On a production line, measurements are made at a limited number of temperature and pressure set points, and coefficients are adjusted accordingly. Discuss with TI application engineers for details.
  - Reduce the number of coefficients by reducing the order of TC compensation. Discuss the procedure to use fewer coefficients with TI application engineers.

**7.3.19.2.1.1 No TC and NL Coefficients**

Use [Equation 8](#) for the P ADC-to-DAC conversion.

$$\text{DATA\_OUT} = H_{0EE} + G_{0EE} \times \text{P ADC} \tag{8}$$

**Table 16. Coefficient Values for No TC and NL Compensation**

COEFFICIENT	VALUE (HEX)
h <sub>0</sub>	H <sub>0EE</sub> <sup>(1)</sup>
h <sub>1</sub>	0x000000
h <sub>2</sub>	0x000000
h <sub>3</sub>	0x000000
g <sub>0</sub>	G <sub>0EE</sub> <sup>(1)</sup>
g <sub>1</sub>	0x000000
g <sub>2</sub>	0x000000
g <sub>3</sub>	0x000000
n <sub>0</sub>	0x000000
n <sub>1</sub>	0x000000
n <sub>2</sub>	0x000000
n <sub>3</sub>	0x000000
m <sub>0</sub>	0x000000
m <sub>1</sub>	0x000000
m <sub>2</sub>	0x000000
m <sub>3</sub>	0x000000

(1) H<sub>0EE</sub> and G<sub>0EE</sub> are the values stored in EEPROM, which are 2<sup>22</sup> times the actual H<sub>0</sub> and G<sub>0</sub> coefficients.

Consider an example of scaling the positive half of the 16-bit P ADC to a 14-bit DAC value. In this case, H<sub>0</sub> = 0 and G<sub>0</sub> = 0.5. Therefore, H<sub>0EE</sub> = 0, and G<sub>0EE</sub> = 2<sup>21</sup>.

**7.3.19.2.2 TC Compensation Using the Internal Temperature Sensor**

Temperature compensation can be performed using the internal temperature sensor with T GAIN = 5 V/V gain. The internal temperature ADC values at the different temperatures listed in [Table 17](#).

**Table 17. T ADC Value for the Internal Temperature Sensor**

TEMPERATURE	T ADC VALUE (HEX VALUE)
–40°C	0x16C900 (TBD)
0°C	0x1ACF00 (TBD)
150°C	0x29E500 (TBD)

For T ADC at intermediate temperatures, use linear interpolation.

### 7.3.19.3 Clamping

The output of the digital compensation is clamped. The low and high clamp values are programmable using the LOW\_CLAMP and HIGH\_CLAMP registers in the EEPROM. In addition, the user can use the NORMAL\_LOW and NORMAL\_HIGH registers in the EEPROM to configure the normal operating output. Figure 25 shows an example of the clamping feature for a 0-V to 5-V output operational mode. In a similar way, the output of the compensation can be configured when the 4-mA to 20-mA operational mode is used. In such case, however, the LOW\_CLAMP value must be larger than the maximum current necessary for normal operation of the device.

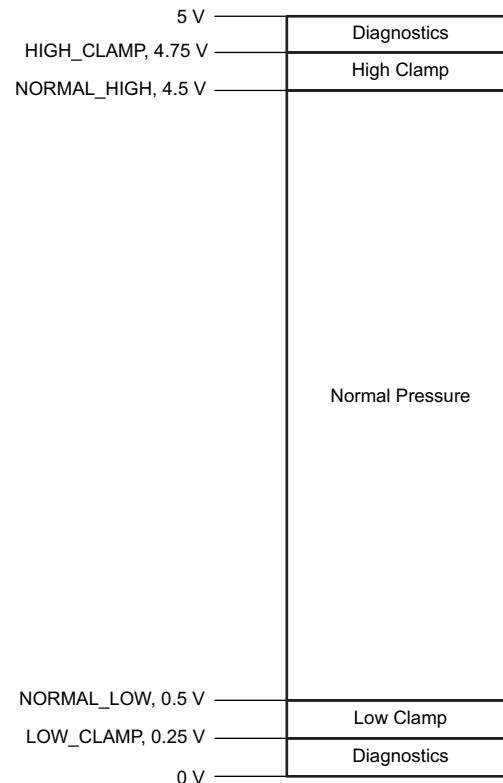


Figure 25. Example of Clamping the Digital Compensation Output

### 7.3.19.4 Filter

The IIR filter is as follows:

$$w(n) = (a_0 \times \text{DATA\_OUT}(n) + a_1 \times w(n - 1) + a_2 w(n - 2))$$

where

- $a_0$ ,  $a_1$ , and  $a_2$  are the IIR filter coefficients,
- $\text{DATA\_OUT}(n)$  is the  $\text{DATA\_OUT}$  output prior to the IIR filter, (9)

$$\text{DATA\_OUTF}(n) = (b_0 \times w(n) + b_1 \times w(n - 1) + b_2 w(n - 2))$$

where

- $b_0$ ,  $b_1$ , and  $b_2$  are the IIR filter coefficients,
- and  $\text{DATA\_OUTF}(n)$  is the output of the PGA305 device after the second-order IIR filter. (10)

## 7.3.20 Filter Coefficients

### 7.3.20.1 No Filtering

If filtering must be disabled, set  $a_0 = 0x0000$ .

**7.3.20.2 Filter Coefficients for P ADC Sampling Rate = 1024  $\mu$ s**
**Table 18. Filter Cutoff Frequency and Filter Coefficients**

CUTOFF FREQUENCY (Hz)	a <sub>0</sub> (Hex)	a <sub>1</sub> (Hex)	a <sub>2</sub> (Hex)	b <sub>0</sub> (Hex)	b <sub>1</sub> (Hex)	b <sub>2</sub> (Hex)
76.8	4000	AAA1	2060	0B01	1602	0B01
89.6	4000	B169	1CEE	0E57	1CAF	0E57
102.4	4000	B818	19E0	11F8	23F0	11F8
115.2	4000	BEAE	172D	15DB	2BB7	15DB
128	4000	C52D	14CE	19FB	33F6	19FB
140.8	4000	CB95	12BC	1E52	3CA3	1E52
153.6	4000	D1EA	10F2	22DC	45B8	22DC
166.4	4000	D82D	0F6A	2798	4F2F	2798
179.2	4000	DE61	0E21	2C82	5905	2C82
192	4000	E487	0D14	319B	6336	319B
204.8	4000	EAA3	0C3F	36E2	6DC4	36E2
217.6	4000	F0B6	0BA1	3C56	78AD	3C56
230.4	4000	F6C3	0B37	41FA	83F4	41FA
243.2	4000	FCCC	0B02	47CE	8F9C	47CE
256	4000	02D4	0B01	4DD4	9BA9	4DD4
268.8	4000	08DD	0B33	540F	A81F	540F
281.6	4000	0EE9	0B99	5A82	B504	5A82
294.4	4000	14FC	0C33	612F	C25E	612F
307.2	4000	1B17	0D05	681B	D037	681B
320	4000	213C	0E0F	6F4B	DE96	6F4B

For Other Filter Cutoff frequencies please contact Texas Instruments support.

## 7.4 Device Functional Modes

There are two main functional modes for the PGA305 device: current (4-mA to 20-mA loop) and voltage modes. Depending on which mode is in use, the external components and connections are slightly different.

### 7.4.1 Voltage Mode

When configured in this mode, the FB<sup>-</sup> pin must be connected to the OUT pin. If the OUT pin is driving a large capacitive load, a compensation capacitor can be connected to the COMP pin and an isolation resistor can be placed between the OUT and FB<sup>-</sup> pins. The FB<sup>+</sup> pin is not used in voltage mode.

### 7.4.2 Current Mode

When configured in this mode, the OUT pin is driving the base of a bipolar junction transistor (BJT) as shown in [Figure 47](#). The COMP pin is connected to the emitter of the BJT and the FB<sup>+</sup> pin is connected to the return terminal of the supply. The FB<sup>-</sup> pin is not used in current mode.

## 7.5 Register Maps

### 7.5.1 Register Settings

Before the PAG305 device can be used in any application, the device must be configured by setting various control registers to the desired values. [Table 19](#) lists all the registers that must be configured and their respective default configurations. Note that the registers are configured by writing to the appropriate EEPROM addresses listed in the [Control and Status Registers](#) section.

**Register Maps (continued)**
**Table 19. Default Register Settings**

REGISTER	VALUE (HEX)	DESCRIPTION
DIG_IF_CTRL	0x62	I2C Interface Enabled in Fast Mode (400kHz - 800kHz)
DAC_CONFIG	0x00	DAC is set for absolute voltage output.
OP_STAGE_CTRL	0x02	Output is configured for 0V - 5V absolute Voltage Output (DAC Gain 4V/V).
BRG_CTRL	0x01	Bridge excitation is set to 2.5 V.
P_GAIN_SELECT	0x80	P_GAIN is set to 5 V/V gain with Signal Inversion.
T_GAIN_SELECT	0x00	T_GAIN is set for 1.33 V/V gain without Signal Inversion.
TEMP_CTRL	0x40	I <sub>TEMP</sub> drive is disabled and T signal chain is set for V <sub>INT+</sub> - V <sub>INT-</sub> .
TEMP_SE	0x00	T GAIN is in single-ended configuration.
NORMAL_LOW_LSB	0x67	DAC normal low output set to 0x0667. Must be updated during calibration
NORMAL_LOW_MSB	0x06	DAC normal low output set to 0x0667. Must be updated during calibration
NORMAL_HIGH_LSB	0x9A	DAC normal high output set to 0x399A. Must be updated during calibration
NORMAL_HIGH_MSB	0x39	DAC normal high output set to 0x399A. Must be updated during calibration
LOW_CLAMP_LSB	0x34	DAC clamp low output set to 0x0334. Must be updated during calibration
LOW_CLAMP_MSB	0x03	DAC clamp low output set to 0x0334. Must be updated during calibration
HIGH_CLAMP_LSB	0xCF	DAC clamp high output set to 0x3CCF. Must be updated during calibration
HIGH_CLAMP_MSB	0x3C	DAC clamp high output set to 0x3CCF. Must be updated during calibration
DIAG_ENABLE	0x00	Application Diagnostics are Disabled (The device will not Reset on WatchDog Error or EEPROM CRC Error)
EEPROM_LOCK	0x00	EEPROM is unlocked.
AFEDIAG_CFG	0x07	Diagnostics pulldown (1 MΩ) and pullup (1 MΩ) resistors enabled, VINP_UV threshold = 10% and VINP_OV threshold = 70%
DIAG_ENABLE	0x00	Diagnostics are disabled.
AFEDIAG_MASK	0x21	VINP_OV and PGAIN_UV detection enabled
SERIAL_NUMBER_BYTE0-1-2-3	0x00000000	Serial number specified by customer

**7.5.2 Control and Status Registers**
**Table 20. Control and Status Registers**

Register Name	DI Page Address	DI Offset Address	EEPROM Address	R/W	D7	D6	D5	D4	D3	D2	D1	D0
H0_LSB	N/A	N/A	0x40000000	RW	H0 [7]	H0 [6]	H0 [5]	H0 [4]	H0 [3]	H0 [2]	H0 [1]	H0 [0]
H0_MID	N/A	N/A	0x40000001	RW	H0 [15]	H0 [14]	H0 [13]	H0 [12]	H0 [11]	H0 [10]	H0 [9]	H0 [8]
H0_MSB	N/A	N/A	0x40000002	RW	H0 [23] - SIGN	H0 [22]	H0 [21]	H0 [20]	H0 [19]	H0 [18]	H0 [17]	H0 [16]
H1_LSB	N/A	N/A	0x40000003	RW	H1 [7]	H1 [6]	H1 [5]	H1 [4]	H1 [3]	H1 [2]	H1 [1]	H1 [0]
H1_MID	N/A	N/A	0x40000004	RW	H1 [15]	H1 [14]	H1 [13]	H1 [12]	H1 [11]	H1 [10]	H1 [9]	H1 [8]
H1_MSB	N/A	N/A	0x40000005	RW	H1 [23] - SIGN	H1 [22]	H1 [21]	H1 [20]	H1 [19]	H1 [18]	H1 [17]	H1 [16]
H2_LSB	N/A	N/A	0x40000006	RW	H2 [7]	H2 [6]	H2 [5]	H2 [4]	H2 [3]	H2 [2]	H2 [1]	H2 [0]
H2_MID	N/A	N/A	0x40000007	RW	H2 [15]	H2 [14]	H2 [13]	H2 [12]	H2 [11]	H2 [10]	H2 [9]	H2 [8]
H2_MSB	N/A	N/A	0x40000008	RW	H2 [23] - SIGN	H2 [22]	H2 [21]	H2 [20]	H2 [19]	H2 [18]	H2 [17]	H2 [16]
H3_LSB	N/A	N/A	0x40000009	RW	H3 [7]	H3 [6]	H3 [5]	H3 [4]	H3 [3]	H3 [2]	H3 [1]	H3 [0]
H3_MID	N/A	N/A	0x4000000A	RW	H3 [15]	H3 [14]	H3 [13]	H3 [12]	H3 [11]	H3 [10]	H3 [9]	H3 [8]
H3_MSB	N/A	N/A	0x4000000B	RW	H3 [23] - SIGN	H3 [22]	H3 [21]	H3 [20]	H3 [19]	H3 [18]	H3 [17]	H3 [16]
G0_LSB	N/A	N/A	0x4000000C	RW	G0 [7]	G0 [6]	G0 [5]	G0 [4]	G0 [3]	G0 [2]	G0 [1]	G0 [0]
G0_MID	N/A	N/A	0x4000000D	RW	G0 [15]	G0 [14]	G0 [13]	G0 [12]	G0 [11]	G0 [10]	G0 [9]	G0 [8]
G0_MSB	N/A	N/A	0x4000000E	RW	G0 [23] - SIGN	G0 [22]	G0 [21]	G0 [20]	G0 [19]	G0 [18]	G0 [17]	G0 [16]
G1_LSB	N/A	N/A	0x4000000F	RW	G1 [7]	G1 [6]	G1 [5]	G1 [4]	G1 [3]	G1 [2]	G1 [1]	G1 [0]
G1_MID	N/A	N/A	0x40000010	RW	G1 [15]	G1 [14]	G1 [13]	G1 [12]	G1 [11]	G1 [10]	G1 [9]	G1 [8]
G1_MSB	N/A	N/A	0x40000011	RW	G1 [23] - SIGN	G1 [22]	G1 [21]	G1 [20]	G1 [19]	G1 [18]	G1 [17]	G1 [16]
G2_LSB	N/A	N/A	0x40000012	RW	G2 [7]	G2 [6]	G2 [5]	G2 [4]	G2 [3]	G2 [2]	G2 [1]	G2 [0]
G2_MID	N/A	N/A	0x40000013	RW	G2 [15]	G2 [14]	G2 [13]	G2 [12]	G2 [11]	G2 [10]	G2 [9]	G2 [8]
G2_MSB	N/A	N/A	0x40000014	RW	G2 [23] - SIGN	G2 [22]	G2 [21]	G2 [20]	G2 [19]	G2 [18]	G2 [17]	G2 [16]
G3_LSB	N/A	N/A	0x40000015	RW	G3 [7]	G3 [6]	G3 [5]	G3 [4]	G3 [3]	G3 [2]	G3 [1]	G3 [0]
G3_MID	N/A	N/A	0x40000016	RW	G3 [15]	G3 [14]	G3 [13]	G3 [12]	G3 [11]	G3 [10]	G3 [9]	G3 [8]
G3_MSB	N/A	N/A	0x40000017	RW	G3 [23] - SIGN	G3 [22]	G3 [21]	G3 [20]	G3 [19]	G3 [18]	G3 [17]	G3 [16]
N0_LSB	N/A	N/A	0x40000018	RW	N0 [7]	N0 [6]	N0 [5]	N0 [4]	N0 [3]	N0 [2]	N0 [1]	N0 [0]
N0_MID	N/A	N/A	0x40000019	RW	N0 [15]	N0 [14]	N0 [13]	N0 [12]	N0 [11]	N0 [10]	N0 [9]	N0 [8]



**Table 20. Control and Status Registers (continued)**

Register Name	DI Page Address	DI Offset Address	EEPROM Address	R/W	D7	D6	D5	D4	D3	D2	D1	D0
N0_MSB	N/A	N/A	0x4000001A	RW	N0 [23] - SIGN	N0 [22]	N0 [21]	N0 [20]	N0 [19]	N0 [18]	N0 [17]	N0 [16]
N1_LSB	N/A	N/A	0x4000001B	RW	N1 [7]	N1 [6]	N1 [5]	N1 [4]	N1 [3]	N1 [2]	N1 [1]	N1 [0]
N1_MID	N/A	N/A	0x4000001C	RW	N1 [15]	N1 [14]	N1 [13]	N1 [12]	N1 [11]	N1 [10]	N1 [9]	N1 [8]
N1_MSB	N/A	N/A	0x4000001D	RW	N1 [23] - SIGN	N1 [22]	N1 [21]	N1 [20]	N1 [19]	N1 [18]	N1 [17]	N1 [16]
N2_LSB	N/A	N/A	0x4000001E	RW	N2 [7]	N2 [6]	N2 [5]	N2 [4]	N2 [3]	N2 [2]	N2 [1]	N2 [0]
N2_MID	N/A	N/A	0x4000001F	RW	N2 [15]	N2 [14]	N2 [13]	N2 [12]	N2 [11]	N2 [10]	N2 [9]	N2 [8]
N2_MSB	N/A	N/A	0x40000020	RW	N2 [23] - SIGN	N2 [22]	N2 [21]	N2 [20]	N2 [19]	N2 [18]	N2 [17]	N2 [16]
N3_LSB	N/A	N/A	0x40000021	RW	N3 [7]	N3 [6]	N3 [5]	N3 [4]	N3 [3]	N3 [2]	N3 [1]	N3 [0]
N3_MID	N/A	N/A	0x40000022	RW	N3 [15]	N3 [14]	N3 [13]	N3 [12]	N3 [11]	N3 [10]	N3 [9]	N3 [8]
N3_MSB	N/A	N/A	0x40000023	RW	N3 [23] - SIGN	N3 [22]	N3 [21]	N3 [20]	N3 [19]	N3 [18]	N3 [17]	N3 [16]
M0_LSB	N/A	N/A	0x40000024	RW	M0 [7]	M0 [6]	M0 [5]	M0 [4]	M0 [3]	M0 [2]	M0 [1]	M0 [0]
M0_MID	N/A	N/A	0x40000025	RW	M0 [15]	M0 [14]	M0 [13]	M0 [12]	M0 [11]	M0 [10]	M0 [9]	M0 [8]
M0_MSB	N/A	N/A	0x40000026	RW	M0 [23] - SIGN	M0 [22]	M0 [21]	M0 [20]	M0 [19]	M0 [18]	M0 [17]	M0 [16]
M1_LSB	N/A	N/A	0x40000027	RW	M1 [7]	M1 [6]	M1 [5]	M1 [4]	M1 [3]	M1 [2]	M1 [1]	M1 [0]
M1_MID	N/A	N/A	0x40000028	RW	M1 [15]	M1 [14]	M1 [13]	M1 [12]	M1 [11]	M1 [10]	M1 [9]	M1 [8]
M1_MSB	N/A	N/A	0x40000029	RW	M1 [23] - SIGN	M1 [22]	M1 [21]	M1 [20]	M1 [19]	M1 [18]	M1 [17]	M1 [16]
M2_LSB	N/A	N/A	0x4000002A	RW	M2 [7]	M2 [6]	M2 [5]	M2 [4]	M2 [3]	M2 [2]	M2 [1]	M2 [0]
M2_MID	N/A	N/A	0x4000002B	RW	M2 [15]	M2 [14]	M2 [13]	M2 [12]	M2 [11]	M2 [10]	M2 [9]	M2 [8]
M2_MSB	N/A	N/A	0x4000002C	RW	M2 [23] - SIGN	M2 [22]	M2 [21]	M2 [20]	M2 [19]	M2 [18]	M2 [17]	M2 [16]
M3_LSB	N/A	N/A	0x4000002D	RW	M3 [7]	M3 [6]	M3 [5]	M3 [4]	M3 [3]	M3 [2]	M3 [1]	M3 [0]
M3_MID	N/A	N/A	0x4000002E	RW	M3 [15]	M3 [14]	M3 [13]	M3 [12]	M3 [11]	M3 [10]	M3 [9]	M3 [8]
M3_MSB	N/A	N/A	0x4000002F	RW	M3 [23] - SIGN	M3 [22]	M3 [21]	M3 [20]	M3 [19]	M3 [18]	M3 [17]	M3 [16]
DIG_IF_CTRL	N/A	N/A	0x40000030	RW		I2C_DEGLITCH_EN	I2C_RATE	Reserved	Reserved	Reserved	I2C_EN	Reserved
PADC_DATA1	0x2	0x20	N/A	R	PADC_DATA[7]	PADC_DATA[6]	PADC_DATA[5]	PADC_DATA[4]	PADC_DATA[3]	PADC_DATA[2]	PADC_DATA[1]	PADC_DATA[0]
PADC_DATA2	0x2	0x21	N/A	R	PADC_DATA[15]	PADC_DATA[14]	PADC_DATA[13]	PADC_DATA[12]	PADC_DATA[11]	PADC_DATA[10]	PADC_DATA[9]	PADC_DATA[8]

**Table 20. Control and Status Registers (continued)**

Register Name	DI Page Address	DI Offset Address	EEPROM Address	R/W	D7	D6	D5	D4	D3	D2	D1	D0
PADC_DATA3	0x2	0x22	N/A	R	PADC_DATA_SIGN	PADC_DATA[22]	PADC_DATA[21]	PADC_DATA[20]	PADC_DATA[19]	PADC_DATA[18]	PADC_DATA[17]	PADC_DATA[16]
TADC_DATA1	0x2	0x24	N/A	R	TADC_DATA[7]	TADC_DATA[6]	TADC_DATA[5]	TADC_DATA[4]	TADC_DATA[3]	TADC_DATA[2]	TADC_DATA[1]	TADC_DATA[0]
TADC_DATA2	0x2	0x25	N/A	R	TADC_DATA[15]	TADC_DATA[14]	TADC_DATA[13]	TADC_DATA[12]	TADC_DATA[11]	TADC_DATA[10]	TADC_DATA[9]	TADC_DATA[8]
TADC_DATA3	0x2	0x26	N/A	R	TADC_DATA_SIGN	TADC_DATA[22]	TADC_DATA[21]	TADC_DATA[20]	TADC_DATA[19]	TADC_DATA[18]	TADC_DATA[17]	TADC_DATA[16]
DAC_REG0_1	0x2	0x30	N/A	RW	DAC_REG0[7]	DAC_REG0[6]	DAC_REG0[5]	DAC_REG0[4]	DAC_REG0[3]	DAC_REG0[2]	DAC_REG0[1]	DAC_REG0[0]
DAC_REG0_2	0x2	0x31	N/A	RW			DAC_REG0[13]	DAC_REG0[12]	DAC_REG0[11]	DAC_REG0[10]	DAC_REG0[9]	DAC_REG0[8]
DAC_CTRL_STATUS	0x2	0x38	0x40000031	RW								DAC_ENABLE
DAC_CONFIG	0x2	0x39	0x40000032	RW								DAC_RATIO_METRIC
OP_STAGE_CTRL	0x2	0x3B	0x40000033	RW				DACCAP_EN	4_20MA_EN	DAC_GAIN[2]	DAC_GAIN[1]	DAC_GAIN[0]
BRDG_CTRL	0x2	0x46	0x40000034	RW						VBRDG_CTRL[1]	VBRDG_CTRL[0]	BRDG_EN
P_GAIN_SELECT	0x2	0x47	0x40000035	RW	P_INV			P_GAIN[4]	P_GAIN[3]	P_GAIN[2]	P_GAIN[1]	P_GAIN[0]
T_GAIN_SELECT	0x2	0x48	0x40000036	RW	T_INV						T_GAIN[1]	T_GAIN[0]
TEMP_CTRL	0x2	0x4C	0x40000037	RW		ITEMP_CTRL[2]	ITEMP_CTRL[1]	ITEMP_CTRL[0]	TEMP_MUX_CTRL[3]	TEMP_MUX_CTRL[2]	TEMP_MUX_CTRL[1]	TEMP_MUX_CTRL[0]
TEMP_SE	N/A	N/A	0x4000003A	RW								TEMP_SE
NORMAL_LOW_LSB	N/A	N/A	0x4000003C	RW	NORMAL_LOW[7]	NORMAL_LOW[6]	NORMAL_LOW[5]	NORMAL_LOW[4]	NORMAL_LOW[3]	NORMAL_LOW[2]	NORMAL_LOW[1]	NORMAL_LOW[0]
NORMAL_LOW_MSB	N/A	N/A	0x4000003D	RW	NORMAL_LOW[15]	NORMAL_LOW[14]	NORMAL_LOW[13]	NORMAL_LOW[12]	NORMAL_LOW[11]	NORMAL_LOW[10]	NORMAL_LOW[9]	NORMAL_LOW[8]
NORMAL_HIGH_LSB	N/A	N/A	0x4000003E	RW	NORMAL_HIGH[7]	NORMAL_HIGH[6]	NORMAL_HIGH[5]	NORMAL_HIGH[4]	NORMAL_HIGH[3]	NORMAL_HIGH[2]	NORMAL_HIGH[1]	NORMAL_HIGH[0]
NORMAL_HIGH_MSB	N/A	N/A	0x4000003F	RW	NORMAL_HIGH[15]	NORMAL_HIGH[14]	NORMAL_HIGH[13]	NORMAL_HIGH[12]	NORMAL_HIGH[11]	NORMAL_HIGH[10]	NORMAL_HIGH[9]	NORMAL_HIGH[8]
LOW_CLAMP_LSB	N/A	N/A	0x40000040	RW	LOW_CLAMP[7]	LOW_CLAMP[6]	LOW_CLAMP[5]	LOW_CLAMP[4]	LOW_CLAMP[3]	LOW_CLAMP[2]	LOW_CLAMP[1]	LOW_CLAMP[0]

**Table 20. Control and Status Registers (continued)**

Register Name	DI Page Address	DI Offset Address	EEPROM Address	R/W	D7	D6	D5	D4	D3	D2	D1	D0
LOW_CLAMP_MSB	N/A	N/A	0x40000041	RW	LOW_CLAMP[15]	LOW_CLAMP[14]	LOW_CLAMP[13]	LOW_CLAMP[12]	LOW_CLAMP[11]	LOW_CLAMP[10]	LOW_CLAMP[9]	LOW_CLAMP[8]
HIGH_CLAMP_LSB	N/A	N/A	0x40000042	RW	HIGH_CLAMP[7]	HIGH_CLAMP[6]	HIGH_CLAMP[5]	HIGH_CLAMP[4]	HIGH_CLAMP[3]	HIGH_CLAMP[2]	HIGH_CLAMP[1]	HIGH_CLAMP[0]
HIGH_CLAMP_MSB	N/A	N/A	0x40000043	RW	HIGH_CLAMP[15]	HIGH_CLAMP[14]	HIGH_CLAMP[13]	HIGH_CLAMP[12]	HIGH_CLAMP[11]	HIGH_CLAMP[10]	HIGH_CLAMP[9]	HIGH_CLAMP[8]
PADC_GAIN_LSB	N/A	N/A	0x40000044	RW	PADC_GAIN[7]	PADC_GAIN[6]	PADC_GAIN[5]	PADC_GAIN[4]	PADC_GAIN[3]	PADC_GAIN[2]	PADC_GAIN[1]	PADC_GAIN[0]
PADC_GAIN_MID	N/A	N/A	0x40000045	RW	PADC_GAIN[15]	PADC_GAIN[14]	PADC_GAIN[13]	PADC_GAIN[12]	PADC_GAIN[11]	PADC_GAIN[10]	PADC_GAIN[9]	PADC_GAIN[8]
PADC_GAIN_MSB	N/A	N/A	0x40000046	RW	PADC_GAIN_SIGN[22]	PADC_GAIN[21]	PADC_GAIN[20]	PADC_GAIN[19]	PADC_GAIN[18]	PADC_GAIN[17]	PADC_GAIN[16]	PADC_GAIN[15]
PADC_OFFSET_LSB	N/A	N/A	0x40000047	RW	PADC_OFFSET[7]	PADC_OFFSET[6]	PADC_OFFSET[5]	PADC_OFFSET[4]	PADC_OFFSET[3]	PADC_OFFSET[2]	PADC_OFFSET[1]	PADC_OFFSET[0]
PADC_GAIN_MID	N/A	N/A	0x40000048	RW	PADC_OFFSET[15]	PADC_OFFSET[14]	PADC_OFFSET[13]	PADC_OFFSET[12]	PADC_OFFSET[11]	PADC_OFFSET[10]	PADC_OFFSET[9]	PADC_OFFSET[8]
PADC_OFFSET_MSB	N/A	N/A	0x40000049	RW	PADC_OFFSET_SIGN[22]	PADC_OFFSET[21]	PADC_OFFSET[20]	PADC_OFFSET[19]	PADC_OFFSET[18]	PADC_OFFSET[17]	PADC_OFFSET[16]	PADC_OFFSET[15]
A0_LSB	N/A	N/A	0x4000004A	RW	IIR_FILTER_A0[7]	IIR_FILTER_A0[6]	IIR_FILTER_A0[5]	IIR_FILTER_A0[4]	IIR_FILTER_A0[3]	IIR_FILTER_A0[2]	IIR_FILTER_A0[1]	IIR_FILTER_A0[0]
A0_MSB	N/A	N/A	0x4000004B	RW	IIR_FILTER_A0[15]	IIR_FILTER_A0[14]	IIR_FILTER_A0[13]	IIR_FILTER_A0[12]	IIR_FILTER_A0[11]	IIR_FILTER_A0[10]	IIR_FILTER_A0[9]	IIR_FILTER_A0[8]
A1_LSB	N/A	N/A	0x4000004C	RW	IIR_FILTER_A1[7]	IIR_FILTER_A1[6]	IIR_FILTER_A1[5]	IIR_FILTER_A1[4]	IIR_FILTER_A1[3]	IIR_FILTER_A1[2]	IIR_FILTER_A1[1]	IIR_FILTER_A1[0]
A1_MSB	N/A	N/A	0x4000004D	RW	IIR_FILTER_A1_SIGN[14]	IIR_FILTER_A1[13]	IIR_FILTER_A1[12]	IIR_FILTER_A1[11]	IIR_FILTER_A1[10]	IIR_FILTER_A1[9]	IIR_FILTER_A1[8]	IIR_FILTER_A1[7]
A2_LSB	N/A	N/A	0x4000004E	RW	IIR_FILTER_A2[7]	IIR_FILTER_A2[6]	IIR_FILTER_A2[5]	IIR_FILTER_A2[4]	IIR_FILTER_A2[3]	IIR_FILTER_A2[2]	IIR_FILTER_A2[1]	IIR_FILTER_A2[0]
A2_MSB	N/A	N/A	0x4000004F	RW	IIR_FILTER_A2[15]	IIR_FILTER_A2[14]	IIR_FILTER_A2[13]	IIR_FILTER_A2[12]	IIR_FILTER_A2[11]	IIR_FILTER_A2[10]	IIR_FILTER_A2[9]	IIR_FILTER_A2[8]
B0_LSB	N/A	N/A	0x40000050	RW	IIR_FILTER_B0[7]	IIR_FILTER_B0[6]	IIR_FILTER_B0[5]	IIR_FILTER_B0[4]	IIR_FILTER_B0[3]	IIR_FILTER_B0[2]	IIR_FILTER_B0[1]	IIR_FILTER_B0[0]
B0_MSB	N/A	N/A	0x40000051	RW	IIR_FILTER_B0[15]	IIR_FILTER_B0[14]	IIR_FILTER_B0[13]	IIR_FILTER_B0[12]	IIR_FILTER_B0[11]	IIR_FILTER_B0[10]	IIR_FILTER_B0[9]	IIR_FILTER_B0[8]
B1_LSB	N/A	N/A	0x40000052	RW	IIR_FILTER_B1[7]	IIR_FILTER_B1[6]	IIR_FILTER_B1[5]	IIR_FILTER_B1[4]	IIR_FILTER_B1[3]	IIR_FILTER_B1[2]	IIR_FILTER_B1[1]	IIR_FILTER_B1[0]
B1_MSB	N/A	N/A	0x40000053	RW	IIR_FILTER_B1[15]	IIR_FILTER_B1[14]	IIR_FILTER_B1[13]	IIR_FILTER_B1[12]	IIR_FILTER_B1[11]	IIR_FILTER_B1[10]	IIR_FILTER_B1[9]	IIR_FILTER_B1[8]

**Table 20. Control and Status Registers (continued)**

Register Name	DI Page Address	DI Offset Address	EEPROM Address	R/W	D7	D6	D5	D4	D3	D2	D1	D0
B2_LSB	N/A	N/A	0x40000054	RW	IIR_FILT_B2[7]	IIR_FILT_B2[6]	IIR_FILT_B2[5]	IIR_FILT_B2[4]	IIR_FILT_B2[3]	IIR_FILT_B2[2]	IIR_FILT_B2[1]	IIR_FILT_B2[0]
B2_MSB	N/A	N/A	0x40000055	RW	IIR_FILT_B2[15]	IIR_FILT_B2[14]	IIR_FILT_B2[13]	IIR_FILT_B2[12]	IIR_FILT_B2[11]	IIR_FILT_B2[10]	IIR_FILT_B2[9]	IIR_FILT_B2[8]
DIAG_ENABLE	N/A	N/A	0x40000056	RW								DIAG_ENABLE
EEPROM_LOCK	N/A	N/A	0x40000057	RW								EEPROM_LOCK
AFEDIAG_CFG	N/A	N/A	0x40000058	RW	-	DIS_R_T	DIS_R_P	THRS[2]	THRS[1]	THRS[0]	PD2	PD1
AFEDIAG_MASK	N/A	N/A	0x40000059	RW	TGAIN_UV	TGAIN_OV	PGAIN_UV	PGAIN_OV	-	INT_OV	INP_UV	INP_OV
FAULT_LSB	N/A	N/A	0x4000005C	RW								
FAULT_MSB	N/A	N/A	0x4000005D	RW								
TADC_GAIN_LSB	N/A	N/A	0x4000005E	RW	TADC_GAIN[7]	TADC_GAIN[6]	TADC_GAIN[5]	TADC_GAIN[4]	TADC_GAIN[3]	TADC_GAIN[2]	TADC_GAIN[1]	TADC_GAIN[0]
TADC_GAIN_MID	N/A	N/A	0x4000005F	RW	TADC_GAIN[15]	TADC_GAIN[14]	TADC_GAIN[13]	TADC_GAIN[12]	TADC_GAIN[11]	TADC_GAIN[10]	TADC_GAIN[9]	TADC_GAIN[8]
TADC_GAIN_MSB	N/A	N/A	0x40000060	RW	TADC_GAIN_SIGN	TADC_GAIN[22]	TADC_GAIN[21]	TADC_GAIN[20]	TADC_GAIN[19]	TADC_GAIN[18]	TADC_GAIN[17]	TADC_GAIN[16]
TADC_OFFSET_LSB	N/A	N/A	0x40000061	RW	TADC_OFFSET[7]	TADC_OFFSET[6]	TADC_OFFSET[5]	TADC_OFFSET[4]	TADC_OFFSET[3]	TADC_OFFSET[2]	TADC_OFFSET[1]	TADC_OFFSET[0]
TADC_OFFSET_MID	N/A	N/A	0x40000062	RW	TADC_OFFSET[15]	TADC_OFFSET[14]	TADC_OFFSET[13]	TADC_OFFSET[12]	TADC_OFFSET[11]	TADC_OFFSET[10]	TADC_OFFSET[9]	TADC_OFFSET[8]
TADC_OFFSET_MSB	N/A	N/A	0x40000063	RW	TADC_OFFSET_SIGN	TADC_OFFSET[22]	TADC_OFFSET[21]	TADC_OFFSET[20]	TADC_OFFSET[19]	TADC_OFFSET[18]	TADC_OFFSET[17]	TADC_OFFSET[16]
SERIAL_NUMBER_BYTE0	N/A	N/A	0x40000064	RW								
SERIAL_NUMBER_BYTE1	N/A	N/A	0x40000065	RW								
SERIAL_NUMBER_BYTE2	N/A	N/A	0x40000066	RW								
SERIAL_NUMBER_BYTE3	N/A	N/A	0x40000067	RW								
ADC_24BIT_ENABLE	N/A	N/A	0x40000068	RW								ADC_24BIT_EN
OFFSET_ENABLE	N/A	N/A	0x40000069	RW								OFF_EN
EEPROM_CRC_VALUE	0x5	0x8D	0x4000007F	R	EEPROM_CRC[7]	EEPROM_CRC[6]	EEPROM_CRC[5]	EEPROM_CRC[4]	EEPROM_CRC[3]	EEPROM_CRC[2]	EEPROM_CRC[1]	EEPROM_CRC[0]

Table 20. Control and Status Registers (continued)

Register Name	DI Page Address	DI Offset Address	EEPROM Address	R/W	D7	D6	D5	D4	D3	D2	D1	D0
COMPENSATION_CONTROL	0x0	0x0C	N/A	RW							COMPENSATION_RESET	IF_SEL
EEPROM_ARRAY	0x5	0x00-0x7F	N/A	RW								
EEPROM_CACHE	0x5	0x80-0x87	N/A	RW								
EEPROM_PAGE_ADDRESS	0x5	0x88	N/A	RW						ADDR[2]	ADDR[1]	ADDR[0]
EEPROM_CTRL	0x5	0x89	N/A	RW					FIXED_ERASE_PROG_TIME	ERASE_AND_PROGRAM	ERASE	PROGRAM
EEPROM_CRC	0x5	0x8A	N/A	RW								CALCULATE_CRC
EEPROM_STATUSES	0x5	0x8B	N/A	R						PROGRAM_IN_PROGRESS	ERASE_IN_PROGRESS	READ_IN_PROGRESS
EEPROM_CRC_STATUS	0x5	0x8C	N/A	R							CRC_GOOD	CRC_CHECK_IN_PROG

**7.5.2.1 Digital Interface Control (M0 Address = 0x40000506) (DI Page Address = 0x2) (DI Page Offset = 0x06)**
**Table 21. DIG\_IF\_CTRL Register**

7	6	5	4	3	2	1	0
	I2C_DEGLITCH_EN	I2C_RATE	-	-	-	I2C_EN	-
	RW	RW	R	R	R	RW	R
	1	0	0	0	0	1	0

**Table 22. DIG\_IF\_CTRL Field Descriptions**

Register	Bit	Description
DIG_IF_CTRL	0:	
	1: I2C_EN	1: I2C is Enabled 0: I2C is Disabled
	2:	
	3:	
	4:	
	5: I2C_RATE	1: I2C transfer rate is >400KPBPS, ≤800 KBPS 0: I2C transfer rate is ≤400 KBPS
	6: I2C_DEGLITCH_EN	1: Enables deglitch filters on I2C interface 0: Disables deglitch filters on I2C interface
	7:	

**7.5.2.2 DAC\_CTRL\_STATUS (M0 Address: 0x40000538) (DI Page Address: 0x2) (DI Page Offset: 0x38)**
**Table 23. DAC\_CTRL\_STATUS Register**

7	6	5	4	3	2	1	0
							DAC_ENABLE
		R	R			RW	RW
		0	0			0	0

**Table 24. DAC\_CTRL\_STATUS Field Descriptions**

Register	Bit	Description
DAC_CTRL_STATUS	0: DAC_ENABLE	1: DAC is enabled to drive DAC GAIN; i.e., DAC GAIN output is based on DAC_REG0 value 0: DAC GAIN output is based on the setting of PWM_EN bit in PWM_EN register
	1:	
	3:	
	4:	
	4:	
	5:	
	6:	
	7:	

**7.5.2.3 DAC\_CONFIG (EEPROM Address = 0x40000032) (DI Page Address: 0x2) (DI Page Offset: 0x39)**
**Figure 26. DAC\_CONFIG Register**

7	6	5	4	3	2	1	0
UNUSED	UNUSED	UNUSED	UNUSED	UNUSED	UNUSED	UNUSED	DAC_RATIOMETRIC
							RW
							0

**Table 25. DAC\_CONFIG Field Descriptions**

Register	Bit	Description
DAC_CONFIG	0: DAC_RATIOMETRIC	1: DAC is in ratiometric mode 0: DAC is in absolute mode
	1–7: UNUSED	

**7.5.2.4 OP\_STAGE\_CTRL (EEPROM Address = 0x40000033) (DI Page Address: 0x2) (DI Page Offset: 0x3B)**
**Figure 27. OP\_STAGE\_CTRL Register**

7	6	5	4	3	2	1	0
UNUSED	UNUSED	PULLUP_EN	DACCAP_EN	4_20MA_EN	DAC_GAIN[2]	DAC_GAIN[1]	DAC_GAIN[0]
		RW	RW	RW	RW	RW	RW
		0	0	0	1	0	1

**Table 26. OP\_STAGE\_CTRL Field Descriptions**

Register	Bit	Description
OP_STAGE_CTRL	0: DAC_GAIN[0]	<b>DAC_GAIN[2]</b> <b>DAC_GAIN[1]</b> <b>DAC_GAIN[0]</b> <b>Description</b>
	1: DAC_GAIN[1]	0                    0                    0                    Voltage mode disabled
	2: DAC_GAIN[2]	0                    0                    1                    Gain = 10V/V
		0                    1                    0                    Gain = 4V/V
		0                    1                    1                    Reserved
		1                    0                    0                    Gain = 2V/V
		1                    0                    1                    Reserved
		1                    1                    0                    Gain = 6.67V/V
		1                    1                    1                    Reserved
	3: 4_20MA_EN	1: Enable 4 to 20mA Current Loop (Close switch S5 in DAC Gain) 0: Disable 4 to 20mA Current Loop (Open switch S5 in DAC Gain)
	4: DACCAP_EN	1: Enable DACCAP capacitor (Close switch S4 in DAC Gain) 0: Disable DACCAP capacitor (Open switch S4 in DAC Gain)
	5: PULLUP_EN	1: Enable Pull up at the input of DAC Gain (Close switch S8 in DAC Gain) 0: Disable Pull up at the input of DAC Gain (Open switch S8 in DAC Gain)
6–7: UNUSED		

**7.5.2.5 BRDG\_CTRL (EEPROM Address = 0x40000034) (DI Page Address: 0x2) (DI Page Offset: 0x46)**

**Figure 28. BRDG\_CTRL Register**

7	6	5	4	3	2	1	0
UNUSED	UNUSED	UNUSED	UNUSED	UNUSED	VBRDG_CTRL[1]	VBRDG_CTRL[0]	BRDG_EN
					RW	RW	
					0	0	

**Table 27. BRDG\_CTRL Field Descriptions**

Register	Bit	Description
BRDG_CTRL	0: BRDG_EN	0: Bridge Voltage Disabled 1: Bridge Voltage Enabled
	1: VBRDG_CTRL[0] 2: VBRDG_CTRL[1]	<b>VBRDG_CTRL[1]</b> <b>VBRDG_CTRL[0]</b> <b>Bridge Supply Voltage</b>
		0                              0                              2.5V
		0                              1                              2.0V
		1                              0                              1.25V
1                              1                              1.25V		
3–7: UNUSED		

**7.5.2.6 P\_GAIN\_SELECT (EEPROM Address = 0x40000035) (DI Page Address: 0x2) (DI Page Offset: 0x47)**

**Figure 29. P\_GAIN\_SELECT Register**

7	6	5	4	3	2	1	0
P_INV	UNUSED	UNUSED	P_GAIN[4]	P_GAIN[3]	P_GAIN[2]	P_GAIN[1]	P_GAIN[0]
RW			RW	RW	RW	RW	RW
0			0	0	0	0	0

**Table 28. P\_GAIN\_SELECT Field Descriptions**

Register	Bit	Description
P_GAIN_SELECT	0: P_GAIN[0] 1: P_GAIN[1] 2: P_GAIN[2] 3: P_GAIN[3] 4: P_GAIN[4]	See Electrical Parameters for Gain Selections
	5–6: UNUSED	
	7: P_INV	1: Inverts the output of the PGAIN Output 0: No Inversion

**7.5.2.7 T\_GAIN\_SELECT (EEPROM Address = 0x40000036) (DI Page Address: 0x2) (DI Page Offset: 0x48)**

**Figure 30. T\_GAIN\_SELECT Register**

7	6	5	4	3	2	1	0
T_INV	UNUSED	UNUSED	UNUSED	UNUSED	UNUSED	T_GAIN[1]	T_GAIN[0]
RW						RW	RW
0						0	0



**Table 29. T\_GAIN\_SELECT Field Descriptions**

Register	Bit	Description
T_GAIN_SELECT	0: T_GAIN[0] 1: T_GAIN[1]	See Electrical Parameters for Gain Selections
	2–6: UNUSED	
	7: T_INV	1: Inverts the output of the T GAIN Output 0: No Inversion

**7.5.2.8 TEMP\_CTRL (EEPROM Address = 0x40000037) (DI Page Address: 0x2) (DI Page Offset: 0x4C)**
**Figure 31. TEMP\_CTRL Register**

7	6	5	4	3	2	1	0
UNUSED	ITEMP_CTRL[2]	ITEMP_CTRL[1]	ITEMP_CTRL[0]	TEMP_MUX_CTRL[3]	TEMP_MUX_CTRL[2]	TEMP_MUX_CTRL[1]	TEMP_MUX_CTRL[0]
	RW	RW	RW	RW	RW	RW	RW
	1	0	0	0	0	0	0

**Table 30. TEMP\_CTRL Field Descriptions**

Register	Bit	Description				Description
		TEMP_MUX_CTRL[3]	TEMP_MUX_CTRL[2]	TEMP_MUX_CTRL[1]	TEMP_MUX_CTRL[0]	
TEMP_CTRL	0: TEMP_MUX_CTRL[0]	0	0	0	0	INT+ and INT–
	1: TEMP_MUX_CTRL[1]	0	0	1	1	VTEMP_INT-GND (Internal Temperature Sensor)
	2: TEMP_MUX_CTRL[2]	Other Combinations		Other Combinations		Reserved
	3: TEMP_MUX_CTRL[3]					
			ITEMP_CTRL[2]	ITEMP_CTRL[1]	ITEMP_CTRL[0]	Description
	4: ITEMP_CTRL[0]	0		0	0	25µA
	5: ITEMP_CTRL[1]	0		0	1	50µA
	6: ITEMP_CTRL[2]	0		1	0	100µA
		0		1	1	500µA
		1		X	X	OFF
	7: UNUSED					

**7.5.2.9 TEMP\_SE (EEPROM Address = 0x4000003A)**
**Figure 32. TEMP\_SE Register**

7	6	5	4	3	2	1	0
UNUSED	UNUSED	UNUSED	UNUSED	UNUSED	UNUSED	UNUSED	TEMP_SE
							RW
							0

**Table 31. TEMP\_SE Field Descriptions**

Register	Bit	Description
TEMP_SE	0: TEMP_SE	1: Output of Temperature Mux is differential 0: Output of Temperature Mux is single-ended
	1–7: UNUSED	

**7.5.2.10 DIAG\_ENABLE (EEPROM Address = 0x40000056)**
**Figure 33. DIAG\_ENABLE Register**

7	6	5	4	3	2	1	0
UNUSED	UNUSED	UNUSED	UNUSED	UNUSED	UNUSED	UNUSED	DIAG_ENABLE
							RW
							0

**Table 32. DIAG\_ENABLE Field Descriptions**

Register	Bit	Description
DIAG_ENABLE	0: DIAG_ENABLE	<b>Read:</b> 1: Enables Diagnostics 0: Disables Diagnostics
	1–7: UNUSED	

**7.5.2.11 EEPROM\_LOCK (EEPROM Address = 0x40000057)**
**Figure 34. EEPROM\_LOCK Register**

7	6	5	4	3	2	1	0
UNUSED	UNUSED	UNUSED	UNUSED	UNUSED	UNUSED	UNUSED	EEPROM_LOCK
							RW
							0

**Table 33. EEPROM\_LOCK Field Descriptions**

Register	Bit	Description
EEPROM_LOCK	0: EEPROM_LOCK	1: EEPROM is locked - EEPROM is not accessible 0: EEPROM is unlocked - EEPROM is accessible
	1–7: UNUSED	

**7.5.2.12 AFEDIAG\_CFG (EEPROM Address = 0x40000058)**
**Figure 35. AFEDIAG\_CFG Register**

7	6	5	4	3	2	1	0
UNUSED	DIS_R_T	DIS_R_P	THRS[2]	THRS[1]	THRS[0]	PD2	PD1
	RW	RW	RW	RW	RW	RW	RW
	0	0	0	0	0	0	0

**Table 34. AFEDIAG\_CFG Field Descriptions**

Register	Bit	Description					
AFEDIAG_CFG		<b>PD2</b>			<b>PD1</b>	<b>Pull Down Resistor Value</b>	
	0: PD1	0			0	4MΩ	
	1: PD2	1			0	3MΩ	
		0			1	2MΩ	
		1			1	1MΩ	
			<b>THRS[2]</b>	<b>THRS[1]</b>	<b>THRS[0]</b>	<b>VINP_UV Threshold</b>	<b>VINP_OV Threshold</b>
	2: THRS[0]	0	0	0		5% of Programmed VBRDG	95% of Programmed VBRDG
	3: THRS[1]	0	0	1		7.5% of Programmed VBRDG	92.5% if Programmed VBRDG
	4: THRS[2]	0	1	0		10% of Programmed VBRDG	90% of Programmed VBRDG
		0	1	1		12.5% of Programmed VBRDG	87.5% of Programmed VBRDG
		1	0	0		15% of Programmed VBRDG	85% of Programmed VBRDG
		1	0	1		20% of Programmed VBRDG	80% of Programmed VBRDG
		1	1	0		25% of Programmed VBRDG	75% of Programmed VBRDG
		1	1	1		30% of Programmed VBRDG	70% of Programmed VBRDG
	5: DIS_R_P	1: Disables pulldown resistors used for open/short diagnostics on the INP+ and INP– pins 0: Enables pulldown resistors used for open/short diagnostics on the INP+ and INP– pins					
	6: DIS_R_T	1: Disables pullup resistors used for open/short diagnostics on the INT+ and INT– pins 0: Enables pullup resistors used for open/short diagnostics on the INT+ and INT– pins					
7: UNUSED							

**7.5.2.13 AFEDIAG\_MASK (EEPROM Address = 0x40000059)**
**Figure 36. AFEDIAG\_MASK Register**

7	6	5	4	3	2	1	0
TGAIN_UV	TGAIN_OV	PGAIN_UV	PGAIN_OV	UNUSED	INT_OV	INP_UV	INP_OV
RW	RW	RW	RW		RW	RW	RW
0	0	0	0		0	0	0

**Table 35. AFEDIAG\_MASK Field Descriptions**

Register	Bit	Description
AFEDIAG	0: INP_OV	1: Enable overvoltage detection at input pins of P Gain 0: Disable overvoltage detection at input pins of P Gain
	1: INP_UV	1: Enable undervoltage detection at input pins of P Gain 0: Disable undervoltage detection at input pins of P Gain
	2: INT_OV	1: Enable overvoltage detection at input pins of T Gain 0: Disable overvoltage detection at input pins of T Gain
	3: UNUSED	
	4: PGAIN_OV	1: Enable overvoltage detection at output pins of P Gain 0: Disable overvoltage detection at output pins of P Gain
	5: PGAIN_UV	1: Enable undervoltage detection at output pins of P Gain 0: Disable undervoltage detection at output pins of P Gain
	6: TGAIN_OV	1: Enable overvoltage detection at output pins of T Gain 0: Disable overvoltage detection at output pins of T Gain
	7: TGAIN_UV	1: Enable undervoltage detection at output pins of T Gain 0: Disable undervoltage detection at output pins of T Gain

**7.5.2.14 ADC\_24BIT\_ENABLE (EEPROM Address = 0x40000068)**
**Figure 37. ADC\_24BIT\_ENABLE Register**

7	6	5	4	3	2	1	0
							ADC_24BIT_E N
							RW
							1

**Table 36. ADC\_24BIT\_ENABLE Field Descriptions**

Register	Bit	Description
ADC_24BIT_EN ABLE	0: ADC_24BIT_EN	1: 24 bit Data Compensation and Output 0: 16 bit Data Compensation and Output
	1:	
	2:	
	3:	
	4:	
	5:	
	6:	
	7:	

**7.5.2.15 OFFSET\_ENABLE (EEPROM Address = 0x40000069)**
**Figure 38. OFFSET\_ENABLE Register**

7	6	5	4	3	2	1	0
							OFF_EN
							RW
							0

**Table 37. OFFSET\_ENABLE Field Descriptions**

Register	Bit	Description
OFFSET_ENABLE	0: OFF_EN	1: Offset Sensor Digital Gain and Offset Compensation Used 0: Normal Sensor Digital Gain and Offset Compensation Used
	1:	
	2:	
	3:	
	4:	
	5:	
	6:	
	7:	

**7.5.2.16 COMPENSATION\_CONTROL (EEPROM Address = N/A) (DI Page Address: 0x0) (DI Page Offset: 0x0C)**
**Figure 39. COMPENSATION\_CONTROL Register**

7	6	5	4	3	2	1	0
UNUSED	UNUSED	UNUSED	UNUSED	UNUSED	UNUSED	COMPENSATION_RESET	IF_SEL
						RW	RW
						0	0

**Table 38. COMPENSATION\_CONTROL Field Descriptions**

Register	Bit	Description
COMPENSATION_CONTROL	0: IF_SEL	1: Digital Interface accesses the PAG305 resources 0: Calculation Engine accesses the PAG305 resources
	1: COMPENSATION_RESET	1: Compensation Engine is in Reset 0: Compensation Engine is Running
	2–7: UNUSED	

**7.5.2.17 EEPROM\_PAGE\_ADDRESS (EEPROM Address = N/A) (DI Page Address: 0x5) (DI Page Offset: 0x88)**
**Figure 40. EEPROM\_PAGE\_ADDRESS Register**

7	6	5	4	3	2	1	0
UNUSED	UNUSED	UNUSED	UNUSED	ADDR[3]	ADDR[2]	ADDR[1]	ADDR[0]
				RW	RW	RW	RW
				0	0	0	0

**Table 39. EEPROM\_PAGE\_ADDRESS Field Descriptions**

Register	Bit	Description
EEPROM_PAGE_ADDRESS	0–3: ADDR[0-3]	EEPROM page address used in the EEPROM Programming Procedure
	4–7: UNUSED	

**7.5.2.18 EEPROM\_CTRL (EEPROM Address = N/A) (DI Page Address: 0x5) (DI Page Offset: 0x89)**
**Figure 41. EEPROM\_CTRL Register**

7	6	5	4	3	2	1	0
UNUSED	UNUSED	UNUSED	UNUSED	FIXED_ERASE_PROG_TIME	ERASE_AND_PROGRAM	ERASE	PROGRAM

7	6	5	4	3	2	1	0
				RW	RW	RW	RW
				0	0	0	0

**Table 40. EEPROM\_CTRL Field Descriptions**

Register	Bit	Description
EEPROM_CTRL	0: PROGRAM	1: Program contents of EEPROM cache into EEPROM memory pointed to by EEPROM_PAGE_ADDRESS 0: No action
	1: ERASE	1: Erase contents of EEPROM memory pointed to by EEPROM_PAGE_ADDRESS 0: No action
	2: ERASE_AND_PROGRAM	1: Erase contents of EEPROM memory pointed to by EEPROM_PAGE_ADDRESS and program of contents of EEPROM cache 0: No action
	3: FIXED_ERASE_PROG_TIME	1: Use Fixed 8ms as the Erase/Program time 0: Use Variable time <8ms as the Erase/Program time. The EEPROM programming logic will determine the duration to program the EEPROM memory.
	4–7: UNUSED	

**7.5.2.19 EEPROM\_CRC (EEPROM Address = N/A) (DI Page Address: 0x5) (DI Page Offset: 0x8A)**
**Figure 42. EEPROM\_CRC Register**

7	6	5	4	3	2	1	0
UNUSED	UNUSED	UNUSED	UNUSED	UNUSED	UNUSED	UNUSED	CALCULATE_CRC
							RW
							0

**Table 41. EEPROM\_CRC Field Descriptions**

Register	Bit	Description
EEPROM_CRC	0: CALCULATE_CRC	1: Calculate EEPROM CRC 0: No action
	1–7: UNUSED	

**7.5.2.20 EEPROM\_STATUS (EEPROM Address = N/A) (DI Page Address: 0x5) (DI Page Offset: 0x8B)**
**Figure 43. EEPROM\_STATUS Register**

7	6	5	4	3	2	1	0
UNUSED	UNUSED	UNUSED	UNUSED	UNUSED	PROGRAM_IN_PROGRESS	ERASE_IN_PROGRESS	READ_IN_PROGRESS
					R	R	R
					0	0	0

**Table 42. EEPROM\_STATUS Field Descriptions**

Register	Bit	Description
EEPROM_STATUS	0: READ_IN_PROGRESS	1: EEPROM Read in progress 0: EEPROM Read not in progress
	1: ERASE_IN_PROGRESS	1: EEPROM Erase in progress 0: EEPROM Erase not in progress
	2: PROGRAM_IN_PROGRESS	1: EEPROM Program in progress 0: EEPROM Program not in progress
	3–7: UNUSED	

**7.5.2.21 EEPROM\_CRC\_STATUS (EEPROM Address = N/A) (DI Page Address: 0x5) (DI Page Offset: 0x8C)**
**Figure 44. EEPROM\_CRC\_STATUS Register**

7	6	5	4	3	2	1	0
UNUSED	UNUSED	UNUSED	UNUSED	UNUSED	UNUSED	CRC_GOOD	CRC_CHECK_IN_PROG
						R	R
						0	0

**Table 43. EEPROM\_CRC\_STATUS Field Descriptions**

Register	Bit	Description
EEPROM_CRC_STATUS	0: CRC_CHECK_IN_PROGRESS	1: EEPROM CRC check in progress 0: EEPROM CRC check not in progress
	1: CRC_GOOD	1: EEPROM Programmed CRC matches calculated CRC 0: EEPROM Programmed CRC does not match calculated CRC
	2–7: UNUSED	

**7.5.2.22 EEPROM\_CRC\_VALUE (EEPROM Address = 0x4000007F) (DI Page Address: 0x5) (DI Page Offset: 0x8D)**
**Figure 45. EEPROM\_CRC\_VALUE Register**

7	6	5	4	3	2	1	0
R	R	R	R	R	R	R	R
1	1	1	1	1	1	1	1

**Table 44. EEPROM\_CRC\_VALUE Field Descriptions**

Register	Bit	Description
EEPROM_CRC_VALUE	0–7	CRC value as calculated by the digital logic

EEPROM CRC value should be located in the last byte of the EEPROM

## 8 Application and Implementation

### NOTE

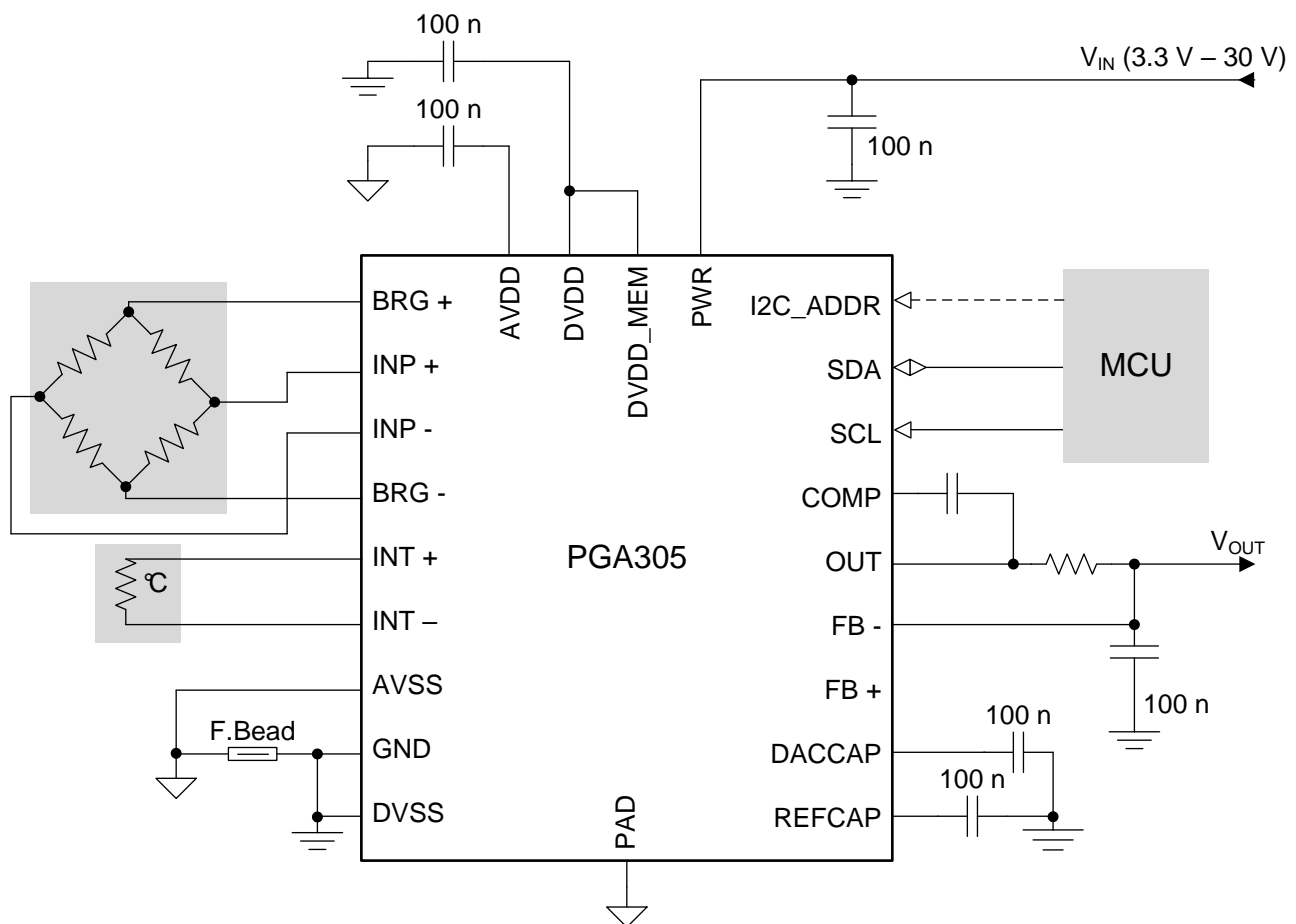
Information in the following applications sections is not part of the TI component specification, and TI does not warrant its accuracy or completeness. TI's customers are responsible for determining suitability of components for their purposes. Customers should validate and test their design implementation to confirm system functionality.

### 8.1 Application Information

The PGA305 can be used in a variety of applications to measure pressure and temperature. Depending on the application, the device can be configured in different modes.

### 8.2 Typical Applications

Figure 46 depicts the PGA305 in a typical application, including device power, connections for the analog inputs from a resistive bridge sensor and temperature sensor, as well as I2C communication lines, and finally the output stage in a voltage output configuration.



**Figure 46. Typical Application Diagram**



## Typical Applications (continued)

### 8.2.1 4-mA to 20-mA Output With Internal Sense Resistor

Figure 47 provides an example of how to wire a PGA305 device for 4 to 20mA current output mode. The internal structure of the output stage is shown, including the states of the internal switches when the device is configured for 4 to 20mA current output mode.

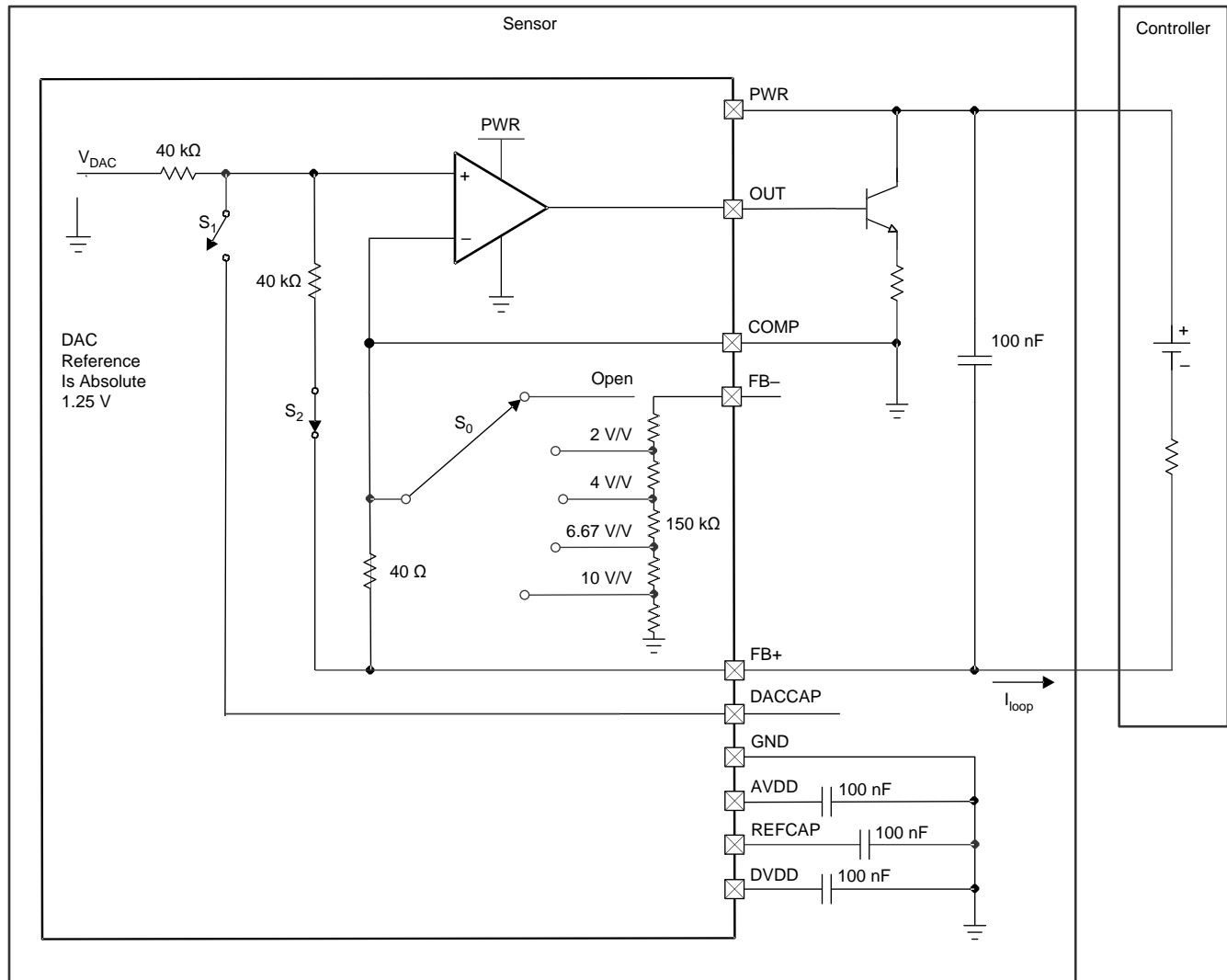


Figure 47. 4-mA to 20-mA Output With Internal Sense Resistor Diagram

#### 8.2.1.1 Design Requirements

There are only a few requirements to take into account when using the PGA305 device in a design:

- Do not exceed the maximum slew rate of 0.5 V/ $\mu$ s at the PWR pin.
- Place a 100-nF capacitor from the AVDD pin to ground, as close to the AVDD pin as possible.
- Place a 100-nF capacitor from the DVDD pin to ground, as close to the DVDD pin as possible.
- Place a capacitor between 10 nF and 1000 nF from the REFCAP pin to ground as close to the REFCAP pin as possible.
- Place a 150- $\Omega$  resistor between the COMP pin and the emitter of the BJT for current-loop stability purposes.
- Place a 10- $\Omega$  resistor between the FB+ pin and the negative terminal of the controller for current measurement.

## Typical Applications (continued)

### 8.2.1.2 Detailed Design Procedure

#### 8.2.1.2.1 Calibration Tips

##### 8.2.1.2.1.1 Programming the EEPROM for 4-mA to 20-mA Output

The EEPROM in the PGA305 is configured by default to operate in current mode using the OP\_STG\_CTRL register. If not, the user must follow this sequence to change it to current mode:

1. Send an OWI activation pulse to stop the digital compensation from running.
2. Set OP\_STAGE\_CTRL to 0x80 for current mode and DAC\_CONFIG EEPROM to 0x00 or 0x01 for No\_Gain.
3. Let the digital compensation run again to read the new EEPROM values.

#### 8.2.1.3 Application Curve



Voltage measured between the GND pin in the PGA305 device and the negative terminal of the controller. This includes the internal 40-Ω resistor and an external 10-Ω resistor,  $V_{PWR} = 15$  V. The DAC codes used were 0x880 and 0x2760 for 4 mA and 20 mA, respectively.

**Figure 48. Loop Current Step From 4 mA to 20 mA**

## Typical Applications (continued)

### 8.2.2 0- to 10-V Absolute Output With Internal Drive

Figure 49 provides an example of how to wire a PGA305 device for 0 to 10V absolute output voltage mode. The internal structure of the output stage is shown, including the states of the internal switches when the device is configured for absolute voltage output. Note that the position of S<sub>0</sub> is dependent on the configuration of the voltage output gain selected in the OP\_STAGE\_CTRL register.

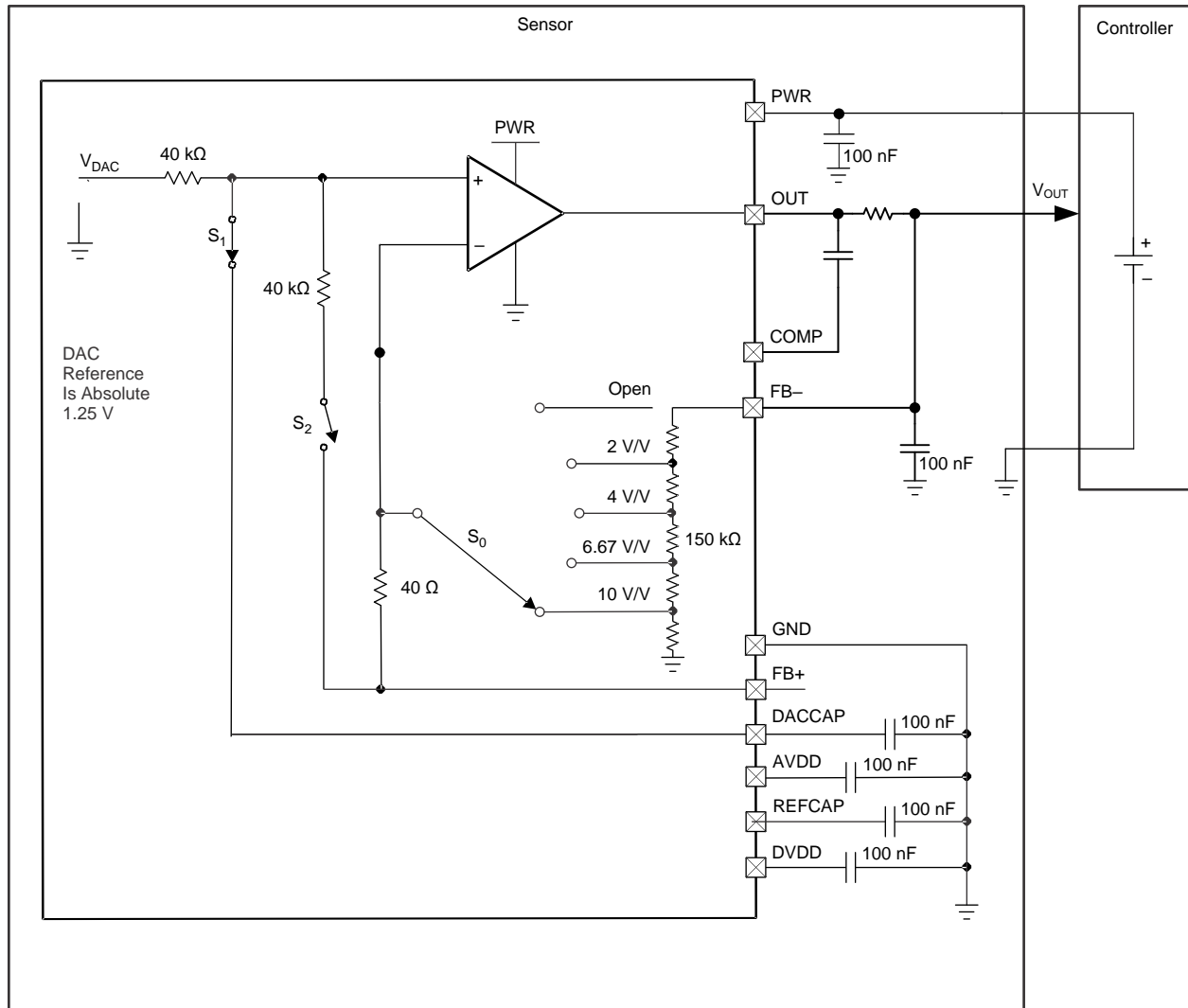


Figure 49. 0- to 10-V Absolute Output With Internal Drive Diagram

#### 8.2.2.1 Design Requirements

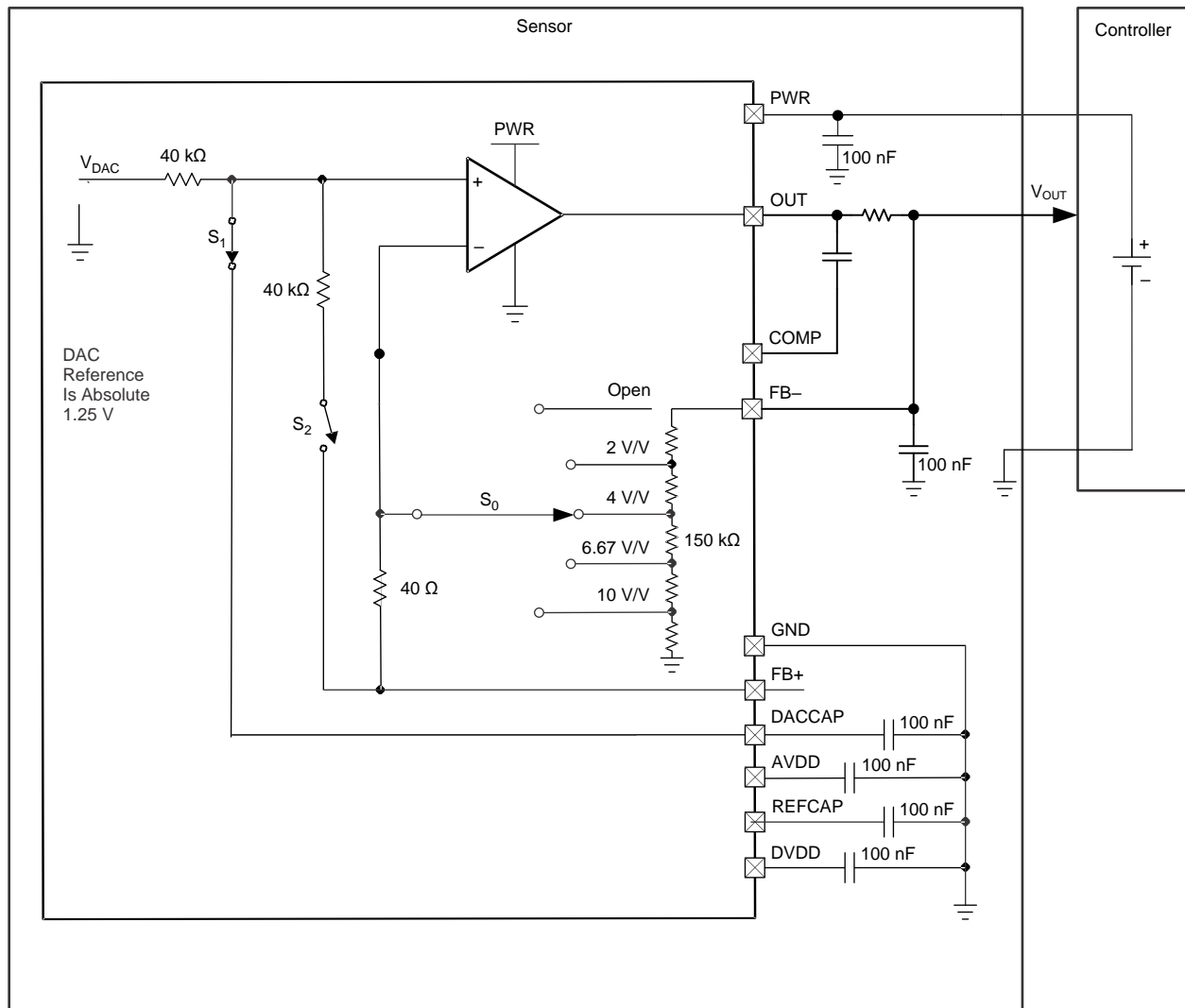
There are only a few requirements to take into account when using the PGA305 in a design:

- Do not exceed the maximum slew rate of 0.5 V/ $\mu$ s at the VDD pin.
- Place a 100-nF capacitor from the AVDD pin to ground, as close to the AVDD pin as possible.
- Place a 100-nF capacitor from the DVDD pin to ground, as close to the DVDD pin as possible.
- Place a capacitor between 10 nF and 1000 nF from the REFCAP pin to ground, as close to the REFCAP pin as possible.
- Use the COMP pin and an isolation resistor to implement compensation when driving large capacitive loads with the OUT pin.

## Typical Applications (continued)

### 8.2.3 0- to 5-V Ratiometric Output With Internal Drive

Figure 50 provides an example of how to wire a PGA305 device for 0 to 5V ratiometric output voltage mode. The internal structure of the output stage is shown, including the states of the internal switches when the device is configured for ratiometric voltage output. Note that the position of  $S_0$  is dependent on the configuration of the voltage output gain selected in the OP\_STAGE\_CTRL register.



**Figure 50. 0- to 5-V Ratiometric Output With Internal Drive Diagram**

#### 8.2.3.1 Design Requirements

There are only a few requirements to take into account when using the PGA305 in a design:

- Do not exceed the maximum slew rate of 0.5 V/ $\mu$ s at the PWR pin.
- Place a 100-nF capacitor from the AVDD pin to ground, as close to the AVDD pin as possible.
- Place a 100-nF capacitor from the DVDD pin to ground, as close to the DVDD pin as possible.
- Place a capacitor between 10 nF and 1000 nF from the REFCAP pin to ground, as close to the REFCAP pin as possible.
- Use the COMP pin and an isolation resistor to implement compensation when driving large capacitive loads with the OUT pin.

## Typical Applications (continued)

### 8.2.3.2 Detailed Design Procedure

#### 8.2.3.2.1 Programmer Tips

##### 8.2.3.2.1.1 Resetting the Microprocessor and Enable Digital Interface

The user must configure these bits to reset the M0 microprocessor and enable digital interface:

1. Set the IF\_SEL bit in the MICRO\_INTERFACE\_CONTROL register to 1.
2. Set the MICRO\_RESET bit in the MICRO\_INTERFACE\_CONTROL register to 1.

##### 8.2.3.2.1.2 Turning On the Accurate Reference Buffer (REFCAP Voltage)

The following bits must be configured to turn ON the accurate reference buffer:

1. Set the SD bit in the ALPWR register to 0.
2. Set the ADC\_EN\_VREF bit in the ALPWR register to 1.

By turning on the accurate reference buffer, the reference voltage can be measured on REFCAP pin. Further, the capacitor on the REFCAP pin is connected to the reference buffer.

##### 8.2.3.2.1.3 Turning On DAC and DAC GAIN

The user must configure these bits to turn on DAC and DAC GAIN:

- Set the SD bit in ALPWR register to 0.
- Set the ADC\_EN\_VREF bit in the ALPWR register to 1.
- Set the DAC\_ENABLE bit in the DAC\_CTRL\_STATUS register to 1.
- Set the 4\_20\_MA\_EN bit in the OP\_STAGE\_CTRL register for the voltage-output or current-output mode.
- Set the DACCAP\_EN bit in the OP\_STAGE\_CTRL register to connect or disconnect the external capacitor at the DAC output.
- Set the DAC\_RATIOMETRIC bit in the DAC\_CONFIG register for ratiometric or absolute-voltage output mode.
- Set the TEST\_MUX\_DAC\_EN bit in the AMUX\_CTRL register to 1.

## 9 Power Supply Recommendations

The PGA305 device has a single pin, PWR, for the input power supply. The maximum slew rate for the PWR pin is 0.5 V/ $\mu$ s as specified in the [Recommended Operating Conditions](#). Faster slew rates might generate a POR. A decoupling capacitor for PWR should be placed as close to the pin as possible.

## 10 Layout

### 10.1 Layout Guidelines

Standard good layout practices must be used when designing a board to test the PGA305 device. Depending on the number of layers in the board, one or more GND planes should be inserted as internal layers. However, given the limited number of external components required for an application using the PGA305 device and the number of NC pins in the device, so it is possible to design a simple two-layer board. In addition, the PWR decoupling capacitor must be placed as close to the pin as possible. In a similar way, the 100-nF recommended capacitors for the AVDD and DVDD regulators as well as the 10-nF to 1000-nF recommended capacitor for REFCAP must be placed as close to their respective pins as possible.

Depending on the application, the signal traces for FB–, FB+, COMP, and OUT must be routed so that they do not cross one another to minimize coupling.

### 10.2 Layout Example

[Figure 51](#) shows how the main guidelines listed in these layout guidelines can be implemented in a six-layer, socketed EVM of the PGA305 device. Two main GND planes (layer 2 and 5) were used to provide a nearby GND plane to each of the signal layers and the power plane (layer 3) in the EVM. This EVM supports voltage and current modes for the device, so depending on the application, GND separation may be necessary as a result. For this example, layer 2 is a solid GND plane for the majority of the circuitry in the EVM (IRETURN). Most of the circuitry is referred to this GND plane, so layers 3 and 4 also contain copper pours connected to IRETURN. This GND plane is the return path for the supply used in the 4-mA to 20-mA loop. Layer 5 is a split plane for the ground references for the digital communication signals used for this EVM (USBGND) and the ground pins in the device (GND, AVSS and DVSS), referred to as ASICGND. The EVM provides jumpers to connect, or disconnect, these three planes one from another, depending on the desired configuration.

[Figure 51](#) shows the recommended capacitors for the proper operation of the PGA305 device. These capacitors are placed as close to their respective pins of the socket used for this particular EVM as possible. The signal traces for FB–, FB+, COMP, and OUT are also routed in the same layer to avoid crossing each other and to minimize coupling.

Layout Example (continued)

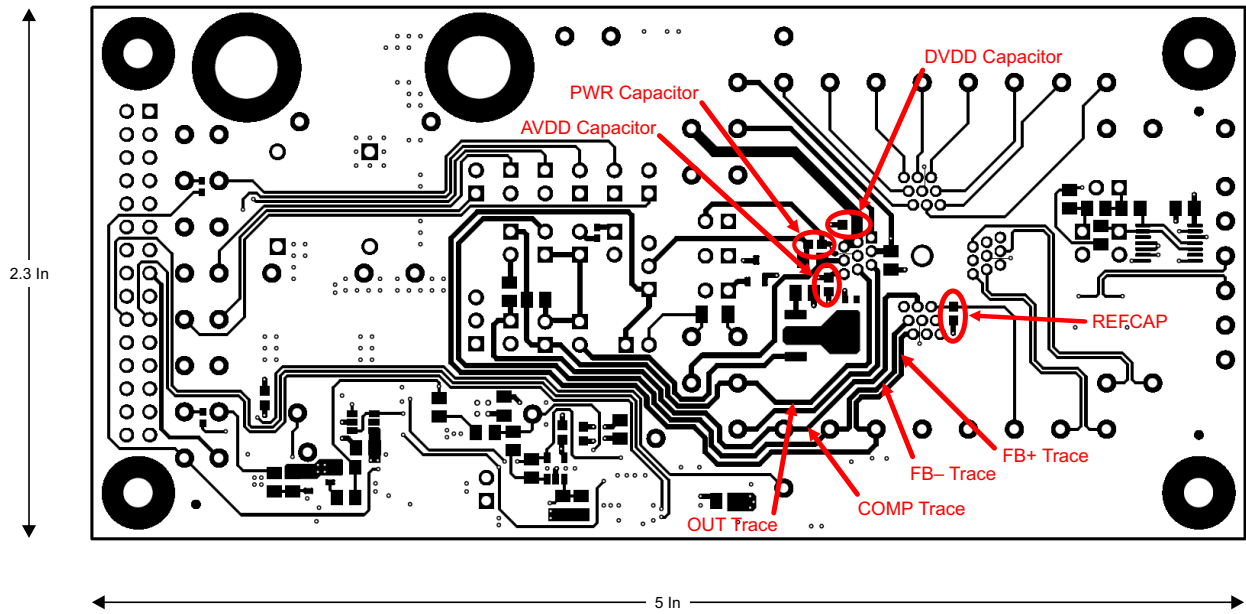


Figure 51. Layout Diagram

## 11 Device and Documentation Support

### 11.1 Receiving Notification of Documentation Updates

To receive notification of documentation updates, navigate to the device product folder on ti.com. In the upper right corner, click on *Alert me* to register and receive a weekly digest of any product information that has changed. For change details, review the revision history included in any revised document.

### 11.2 Community Resources

The following links connect to TI community resources. Linked contents are provided "AS IS" by the respective contributors. They do not constitute TI specifications and do not necessarily reflect TI's views; see TI's [Terms of Use](#).

**TI E2E™ Online Community** *TI's Engineer-to-Engineer (E2E) Community*. Created to foster collaboration among engineers. At e2e.ti.com, you can ask questions, share knowledge, explore ideas and help solve problems with fellow engineers.

**Design Support** *TI's Design Support* Quickly find helpful E2E forums along with design support tools and contact information for technical support.

### 11.3 Trademarks

E2E is a trademark of Texas Instruments.  
All other trademarks are the property of their respective owners.

### 11.4 Electrostatic Discharge Caution



This integrated circuit can be damaged by ESD. Texas Instruments recommends that all integrated circuits be handled with appropriate precautions. Failure to observe proper handling and installation procedures can cause damage.

ESD damage can range from subtle performance degradation to complete device failure. Precision integrated circuits may be more susceptible to damage because very small parametric changes could cause the device not to meet its published specifications.

### 11.5 Glossary

[SLYZ022](#) — *TI Glossary*.



This glossary lists and explains terms, acronyms, and definitions.

## 12 Mechanical, Packaging, and Orderable Information

The following pages include mechanical, packaging, and orderable information. This information is the most current data available for the designated devices. This data is subject to change without notice and revision of this document. For browser-based versions of this data sheet, refer to the left-hand navigation.



**PACKAGING INFORMATION**

Orderable Device	Status (1)	Package Type	Package Drawing	Pins	Package Qty	Eco Plan (2)	Lead finish/ Ball material (6)	MSL Peak Temp (3)	Op Temp (°C)	Device Marking (4/5)	Samples
PGA305ARHHR	ACTIVE	VQFN	RHH	36	2500	RoHS & Green	NIPDAU	Level-2-260C-1 YEAR	-40 to 150	PGA305A RHH	
PGA305ARHHT	ACTIVE	VQFN	RHH	36	250	RoHS & Green	NIPDAU	Level-2-260C-1 YEAR	-40 to 150	PGA305A RHH	

(1) The marketing status values are defined as follows:

**ACTIVE:** Product device recommended for new designs.

**LIFEBUY:** TI has announced that the device will be discontinued, and a lifetime-buy period is in effect.

**NRND:** Not recommended for new designs. Device is in production to support existing customers, but TI does not recommend using this part in a new design.

**PREVIEW:** Device has been announced but is not in production. Samples may or may not be available.

**OBSOLETE:** TI has discontinued the production of the device.

(2) **RoHS:** TI defines "RoHS" to mean semiconductor products that are compliant with the current EU RoHS requirements for all 10 RoHS substances, including the requirement that RoHS substance do not exceed 0.1% by weight in homogeneous materials. Where designed to be soldered at high temperatures, "RoHS" products are suitable for use in specified lead-free processes. TI may reference these types of products as "Pb-Free".

**RoHS Exempt:** TI defines "RoHS Exempt" to mean products that contain lead but are compliant with EU RoHS pursuant to a specific EU RoHS exemption.

**Green:** TI defines "Green" to mean the content of Chlorine (Cl) and Bromine (Br) based flame retardants meet JS709B low halogen requirements of <=1000ppm threshold. Antimony trioxide based flame retardants must also meet the <=1000ppm threshold requirement.

(3) MSL, Peak Temp. - The Moisture Sensitivity Level rating according to the JEDEC industry standard classifications, and peak solder temperature.

(4) There may be additional marking, which relates to the logo, the lot trace code information, or the environmental category on the device.

(5) Multiple Device Markings will be inside parentheses. Only one Device Marking contained in parentheses and separated by a "~" will appear on a device. If a line is indented then it is a continuation of the previous line and the two combined represent the entire Device Marking for that device.

(6) Lead finish/Ball material - Orderable Devices may have multiple material finish options. Finish options are separated by a vertical ruled line. Lead finish/Ball material values may wrap to two lines if the finish value exceeds the maximum column width.

**Important Information and Disclaimer:**The information provided on this page represents TI's knowledge and belief as of the date that it is provided. TI bases its knowledge and belief on information provided by third parties, and makes no representation or warranty as to the accuracy of such information. Efforts are underway to better integrate information from third parties. TI has taken and continues to take reasonable steps to provide representative and accurate information but may not have conducted destructive testing or chemical analysis on incoming materials and chemicals. TI and TI suppliers consider certain information to be proprietary, and thus CAS numbers and other limited information may not be available for release.

In no event shall TI's liability arising out of such information exceed the total purchase price of the TI part(s) at issue in this document sold by TI to Customer on an annual basis.



**TAPE AND REEL INFORMATION**

**QUADRANT ASSIGNMENTS FOR PIN 1 ORIENTATION IN TAPE**


\*All dimensions are nominal

Device	Package Type	Package Drawing	Pins	SPQ	Reel Diameter (mm)	Reel Width W1 (mm)	A0 (mm)	B0 (mm)	K0 (mm)	P1 (mm)	W (mm)	Pin1 Quadrant
PGA305ARHHR	VQFN	RHH	36	2500	330.0	16.4	6.3	6.3	1.1	12.0	16.0	Q2
PGA305ARHHT	VQFN	RHH	36	250	180.0	16.4	6.3	6.3	1.1	12.0	16.0	Q2

**TAPE AND REEL BOX DIMENSIONS**


\*All dimensions are nominal

Device	Package Type	Package Drawing	Pins	SPQ	Length (mm)	Width (mm)	Height (mm)
PGA305ARHHR	VQFN	RHH	36	2500	367.0	367.0	38.0
PGA305ARHHT	VQFN	RHH	36	250	210.0	185.0	35.0

## GENERIC PACKAGE VIEW

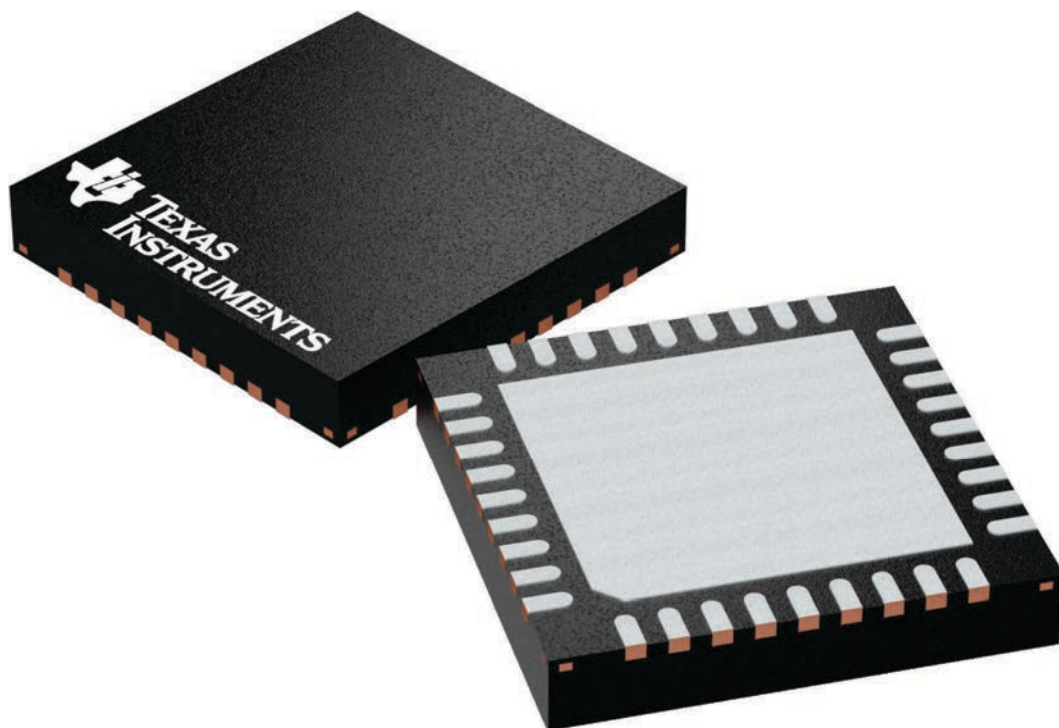
**RHH 36**

**VQFN - 1 mm max height**

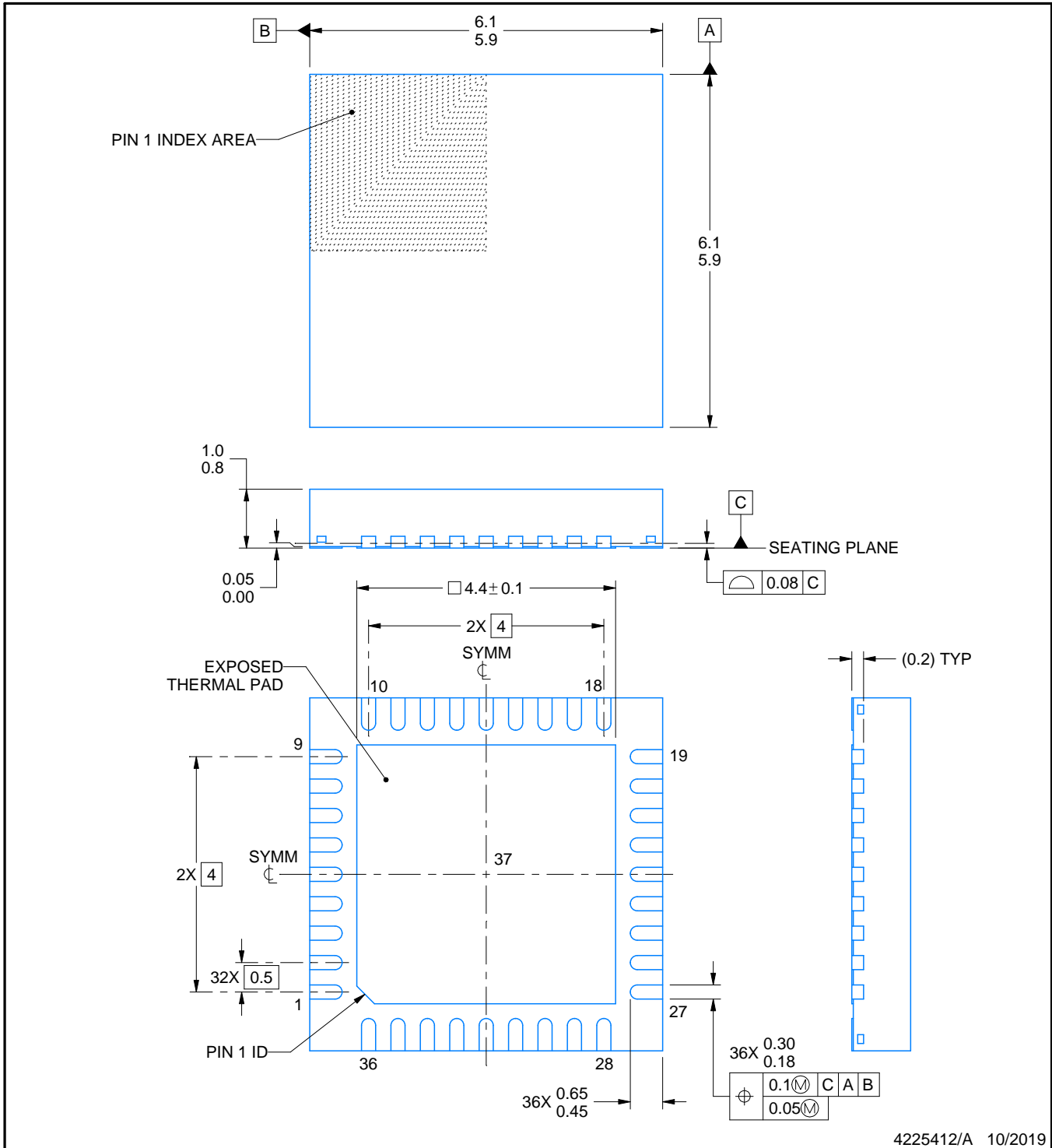
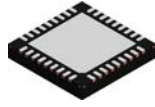
6 x 6, 0.5 mm pitch

PLASTIC QUAD FLATPACK - NO LEAD

This image is a representation of the package family, actual package may vary.  
Refer to the product data sheet for package details.



4225440/A



4225412/A 10/2019

NOTES:

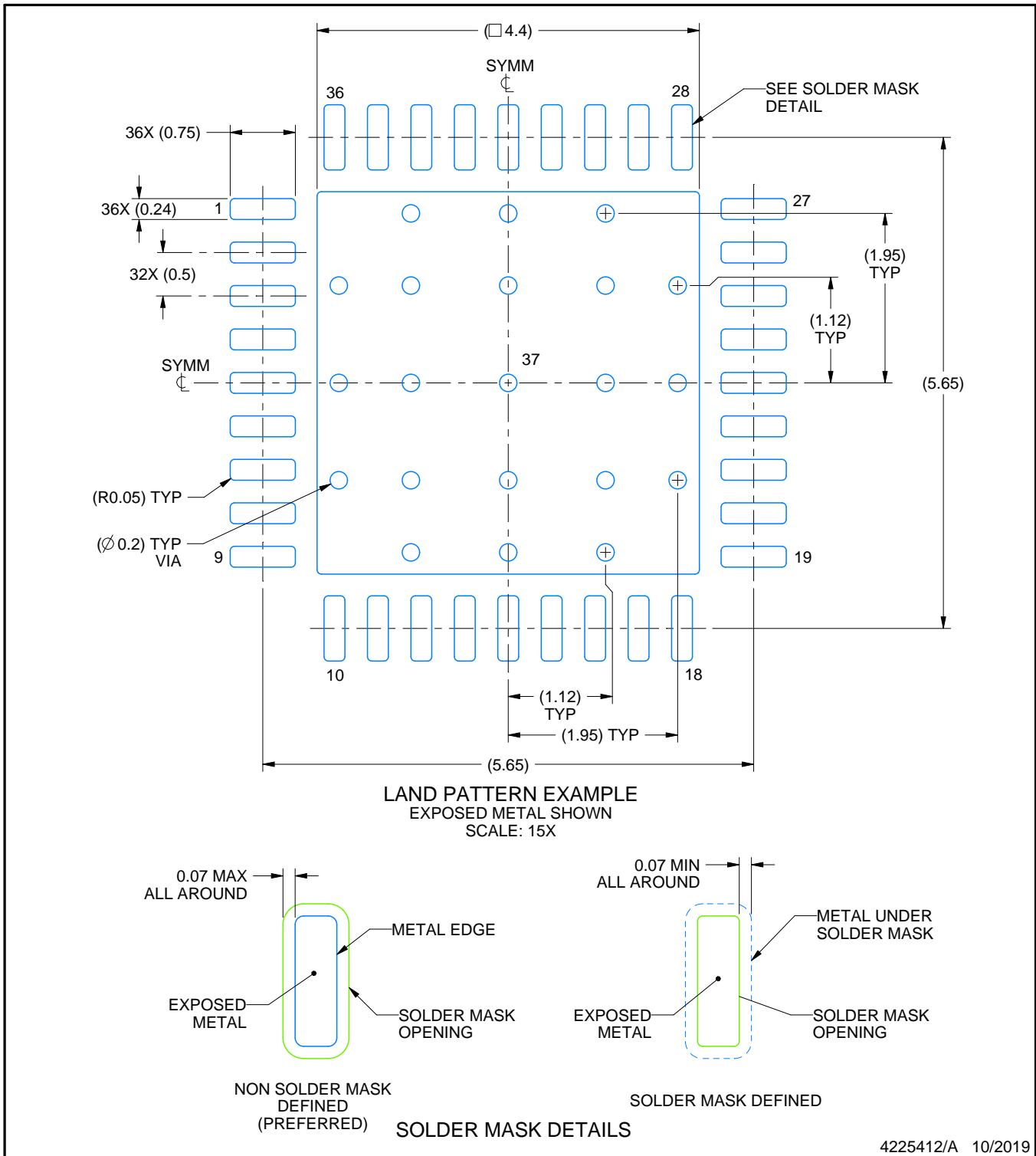
1. All linear dimensions are in millimeters. Any dimensions in parenthesis are for reference only. Dimensioning and tolerancing per ASME Y14.5M.
2. This drawing is subject to change without notice.
3. The package thermal pad must be soldered to the printed circuit board for thermal and mechanical performance.

# EXAMPLE BOARD LAYOUT

RHH0036C

VQFN - 1 mm max height

PLASTIC QUAD FLATPACK - NO LEAD



4225412/A 10/2019

NOTES: (continued)

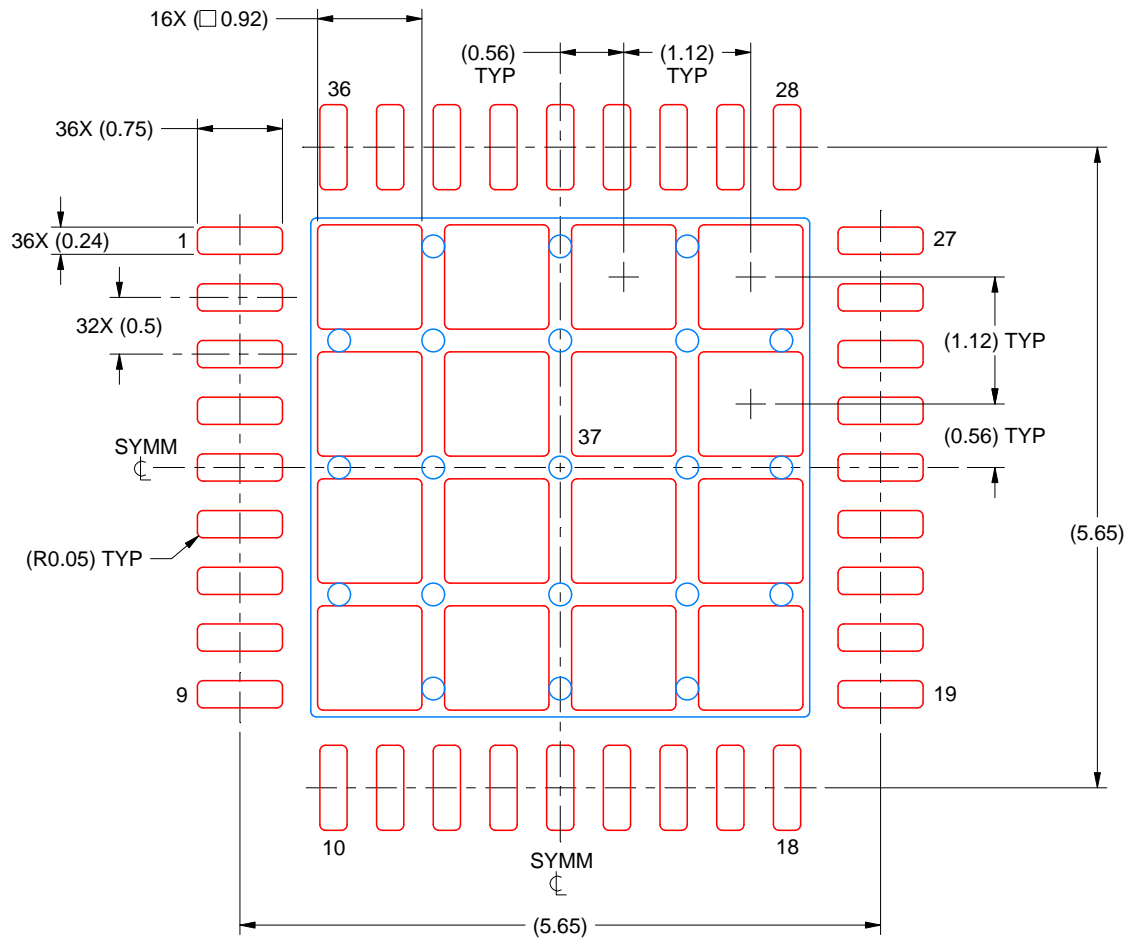
4. This package is designed to be soldered to a thermal pad on the board. For more information, see Texas Instruments literature number SLUA271 ([www.ti.com/lit/sluea271](http://www.ti.com/lit/sluea271)).
5. Vias are optional depending on application, refer to device data sheet. If any vias are implemented, refer to their locations shown on this view. It is recommended that vias under paste be filled, plugged or tented.

# EXAMPLE STENCIL DESIGN

RHH0036C

VQFN - 1 mm max height

PLASTIC QUAD FLATPACK - NO LEAD



SOLDER PASTE EXAMPLE  
BASED ON 0.125 MM THICK STENCIL  
SCALE: 15X

EXPOSED PAD 37  
70% PRINTED SOLDER COVERAGE BY AREA UNDER PACKAGE

4225412/A 10/2019

NOTES: (continued)

6. Laser cutting apertures with trapezoidal walls and rounded corners may offer better paste release. IPC-7525 may have alternate design recommendations.



## IMPORTANT NOTICE AND DISCLAIMER

TI PROVIDES TECHNICAL AND RELIABILITY DATA (INCLUDING DATASHEETS), DESIGN RESOURCES (INCLUDING REFERENCE DESIGNS), APPLICATION OR OTHER DESIGN ADVICE, WEB TOOLS, SAFETY INFORMATION, AND OTHER RESOURCES "AS IS" AND WITH ALL FAULTS, AND DISCLAIMS ALL WARRANTIES, EXPRESS AND IMPLIED, INCLUDING WITHOUT LIMITATION ANY IMPLIED WARRANTIES OF MERCHANTABILITY, FITNESS FOR A PARTICULAR PURPOSE OR NON-INFRINGEMENT OF THIRD PARTY INTELLECTUAL PROPERTY RIGHTS.

These resources are intended for skilled developers designing with TI products. You are solely responsible for (1) selecting the appropriate TI products for your application, (2) designing, validating and testing your application, and (3) ensuring your application meets applicable standards, and any other safety, security, or other requirements. These resources are subject to change without notice. TI grants you permission to use these resources only for development of an application that uses the TI products described in the resource. Other reproduction and display of these resources is prohibited. No license is granted to any other TI intellectual property right or to any third party intellectual property right. TI disclaims responsibility for, and you will fully indemnify TI and its representatives against, any claims, damages, costs, losses, and liabilities arising out of your use of these resources.

TI's products are provided subject to TI's Terms of Sale ([www.ti.com/legal/termsofsale.html](http://www.ti.com/legal/termsofsale.html)) or other applicable terms available either on [ti.com](http://ti.com) or provided in conjunction with such TI products. TI's provision of these resources does not expand or otherwise alter TI's applicable warranties or warranty disclaimers for TI products.

Mailing Address: Texas Instruments, Post Office Box 655303, Dallas, Texas 75265  
Copyright © 2020, Texas Instruments Incorporated