

4

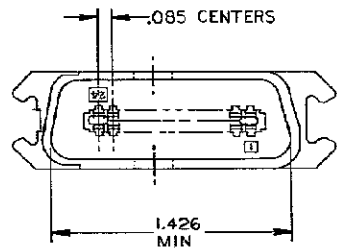
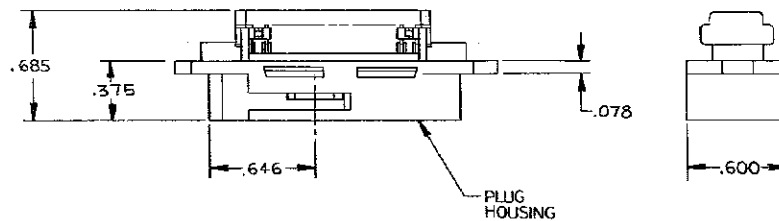
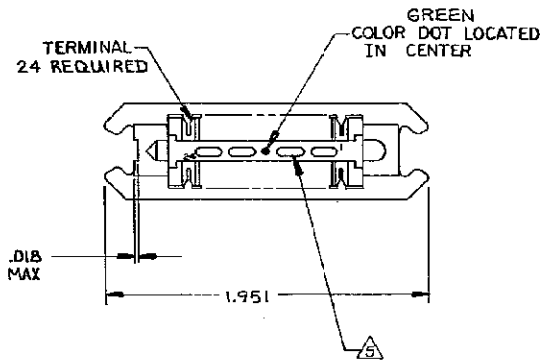
3

2

1

THIS DRAWING IS UNPUBLISHED. RELEASED FOR PUBLICATION  
 © COPYRIGHT BY TYCO ELECTRONICS CORPORATION. ALL RIGHTS RESERVED.

LOC		DIST		REVISIONS			
GP	00	FP	LVR	DESCRIPTION	DATE	OWN	APPD
		K		REVISED PER ECO-08-007327	27JAN2009	ZMR	WLM



1. THE CONTACT SURFACES OF THE TERMINALS ARE COATED WITH LUBRICANT.
2. ALL DIMENSIONS SHOWN ARE FOR REFERENCE ONLY UNLESS OTHERWISE SPECIFIED.
3. MATERIAL:  
 HOUSING - THERMOPLASTIC (BLACK)  
 TERMINALS - HIGH STRENGTH COPPER ALLOY PLATED WITH EITHER .000030 MIN GOLD OR GOLD FLASH OVER PALLADIUM NICKEL .000030 MIN TOTAL, ON CONTACT MATING SURFACE. .000050 MIN NICKEL UNDERPLATE OVER ENTIRE TERMINAL.
4. WIRE SIZE: 22 AWG SOLID OR 22 AWG 7 STRANDS OF COPPER CONDUCTORS. MAX INSULATION DIAMETER OF .045 IS ACCEPTABLE FOR MOST APPLICATIONS.
5. CORING MAY OR MAY NOT APPEAR AND IS AT THE DISCRETION OF TYCO ELECTRONICS.

AS SHOWN	552317-1
DESCRIPTION	PART NO

THIS DRAWING IS A CONTROLLED DOCUMENT.		DRN K. SHELTON 6-4-82	Tyco Electronics Corporation Harrisburg, PA 17105-3608	
DIMENSIONS: INCHES		CHK G. BOWMAN 10-29-82	NAME	
TOLERANCES UNLESS OTHERWISE SPECIFIED:		APRD S. HEGE 10-29-82	PLUG ASSY. 24 POSITIONS, C SLOT BAIL LOCK, CHAMP-LOK	
0 PLC ± -	1 PLC ± -	PRODUCT SPEC	SIZE	RESTRICTED TO
2 PLC ± -	3 PLC ± -	APPLICATION SPEC	A2	
4 PLC ± -	ANGLES ± -	WEIGHT	00779	
		CUSTOMER DRAWING	C=552317	
		SCALE	NTS	SHEET 1 of 1
				REV K