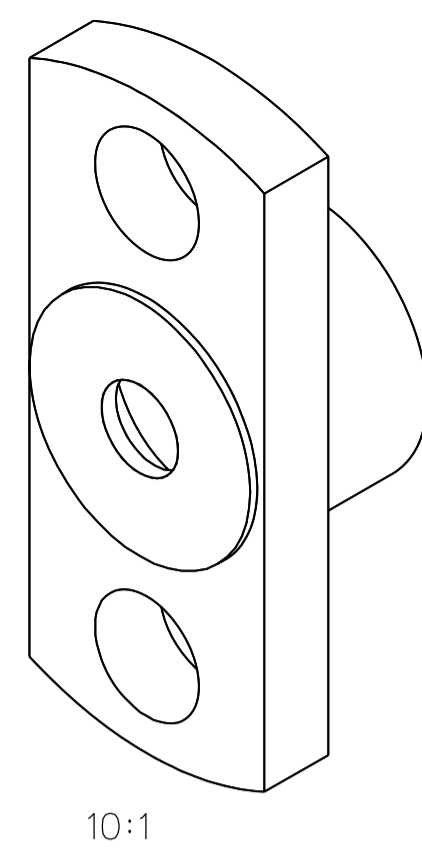
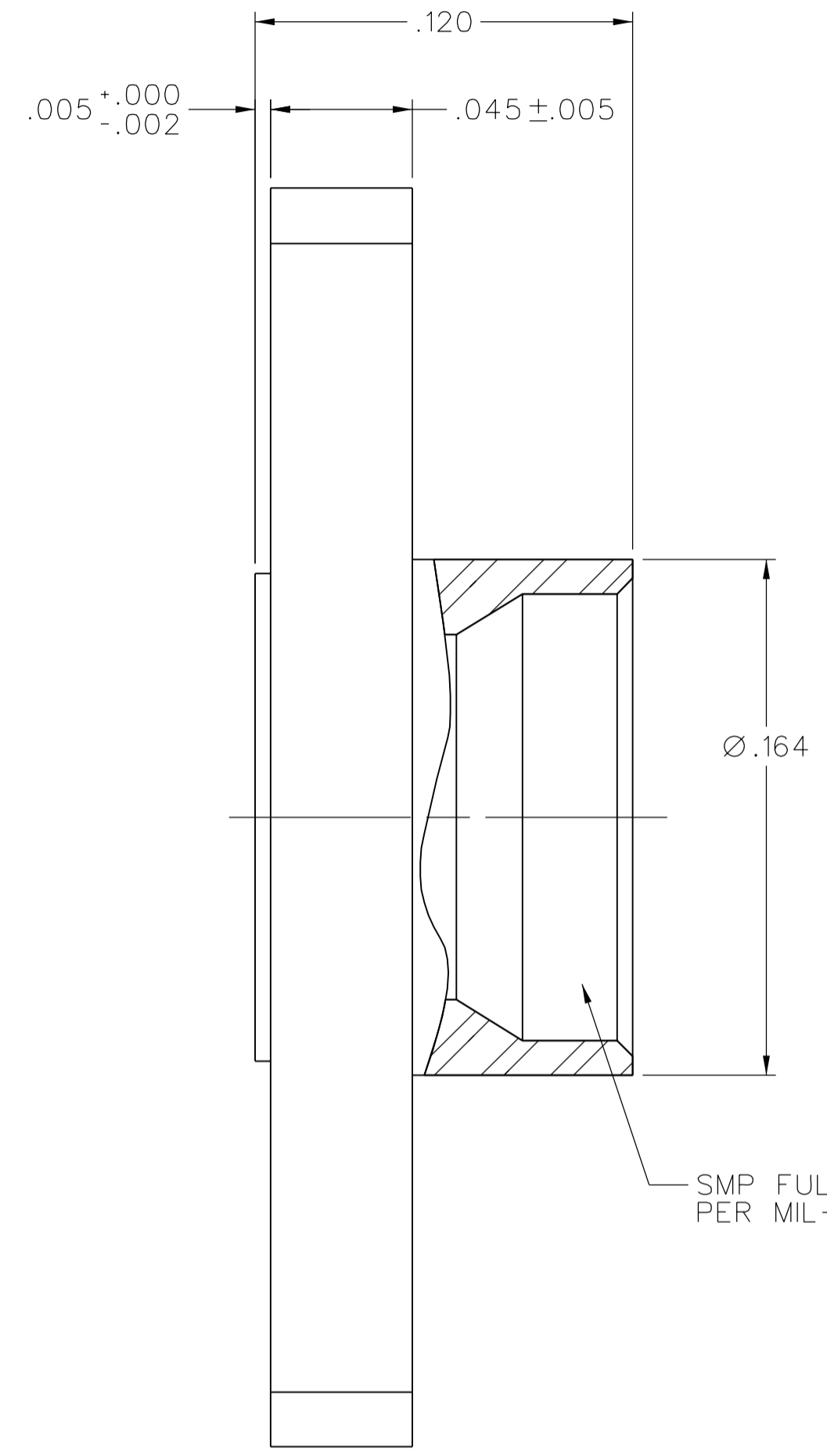
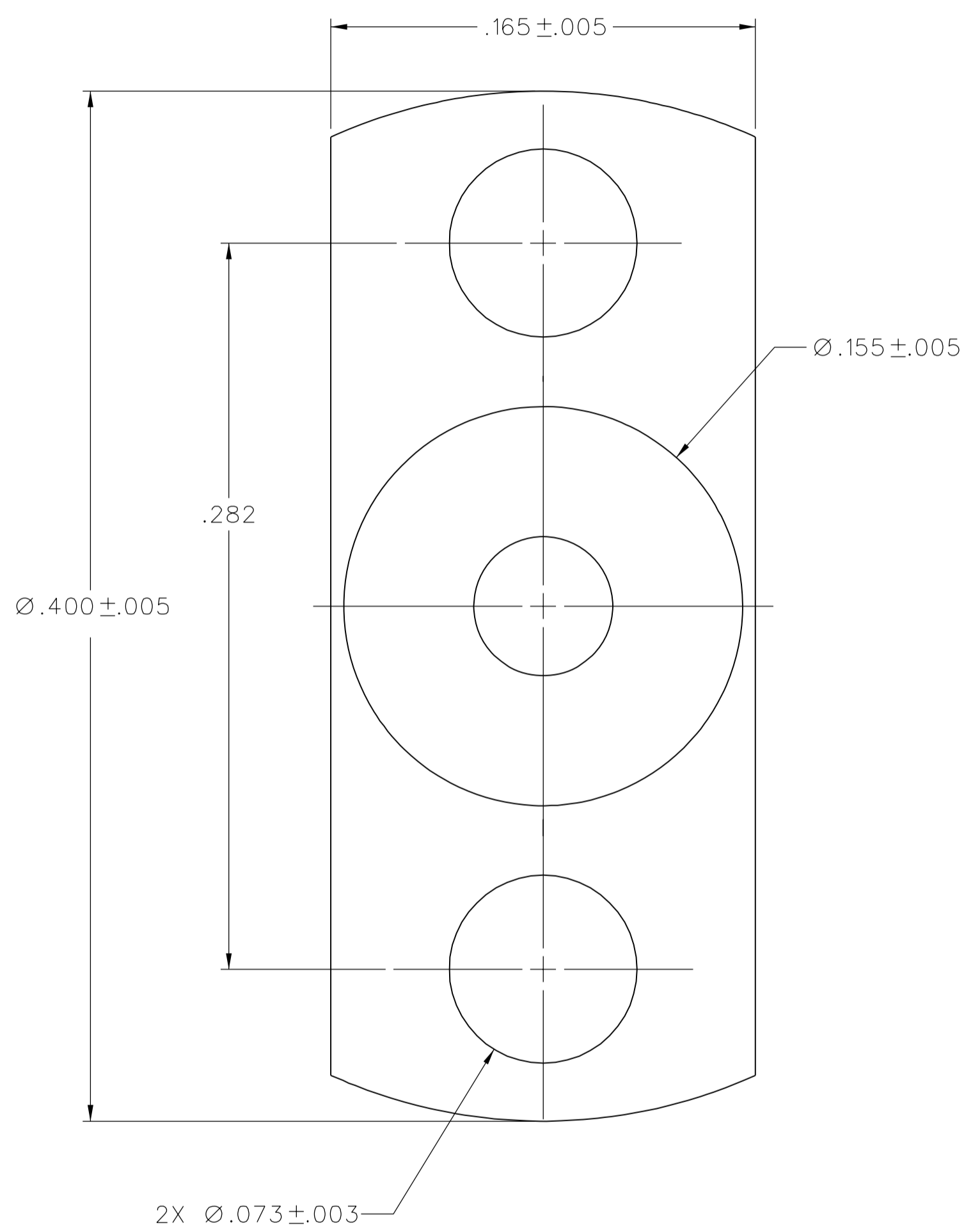


PART NUMBER	SHROUD MATERIAL
127-0701-602	STAINLESS STEEL PASSIVATED

DRAWING NO.		C - 127-0701-601/610	
0		REVISIONS	
ENGINEERING RELEASE			
1	1-10-07	PAT	2-17-07 ECN 50897
VERSION UPDATE			
***** * REVISION NUMBER FOLLOWED BY AN ALPHA * * CHARACTER INDICATES DRAWING CLARIFI- * * CATION OR PART NUMBER ADDITION ONLY. * *****			
1a	11-12-07	PTK	11-13-07 ECN 51290



NOTES:


- SPECIFICATIONS:
 - INTERFACE DIMENSIONS: IN ACCORDANCE WITH MIL-STD-348A, SERIES SMP, FULL DETENT
 - CONTACT RESISTANCE: INITIAL 2.0 MILLIOHM MAX, AFTER ENVIRONMENTAL NOT APPLICABLE
 - MECHANICAL:
 - ENGAGEMENT FORCE: 15 POUNDS MAX
 - DISENGAGEMENT FORCE: 5 POUNDS MIN
 - DURABILITY: 100 CYCLES MIN
 - ENVIRONMENTAL:
 - (MEETS OR EXCEEDS THE APPLICABLE PARAGRAPH OF DSCC DWG NO. 94007)
 - OPERATING TEMPERATURE: -65°C TO 165°C
 - THERMAL SHOCK: MIL-STD-202, METHOD 107, CONDITION B, EXCEPT 165°C HIGH TEMP
 - CORROSION: MIL-STD-202, METHOD 101, CONDITION B
 - VIBRATION, HIGH FREQUENCY: MIL-STD-202, METHOD 204, CONDITION D
 - VIBRATION, RANDOM: MIL-STD-202, METHOD 214, CONDITION F

CUSTOMER DRAWING

THIS DRAWING TO BE INTERPRETED
PER ASME Y 14.5M - 1994

"μSTATION"

COMPANY CONFIDENTIAL

TOLERANCE UNLESS OTHERWISE SPECIFIED		DRAWN BY	DATE	 Cinch CONNECTIVITY SOLUTIONS a bel group	Cinch Connectivity Solutions P.O. Box 1732 Waseca, MN 56093 1-800-247-8256	
DECIMALS	mm	PAT	11-30-06			
.XX	_____	CHECKED BY	DATE	TITLE		
.XXX	REF _____	PDW	2-16-07	SMP FULL DETENT FLANGE MOUNT SHROUD		
MATL	_____	APPROVED BY	DATE	SHEET		
		JRK	2-16-07	DRAWING NO.		
FINISH	_____	RELEASE DATE	2-17-07	2 OF 2		
		U/M INCH	SCALE 20:1	C - 127-0701-601/610		