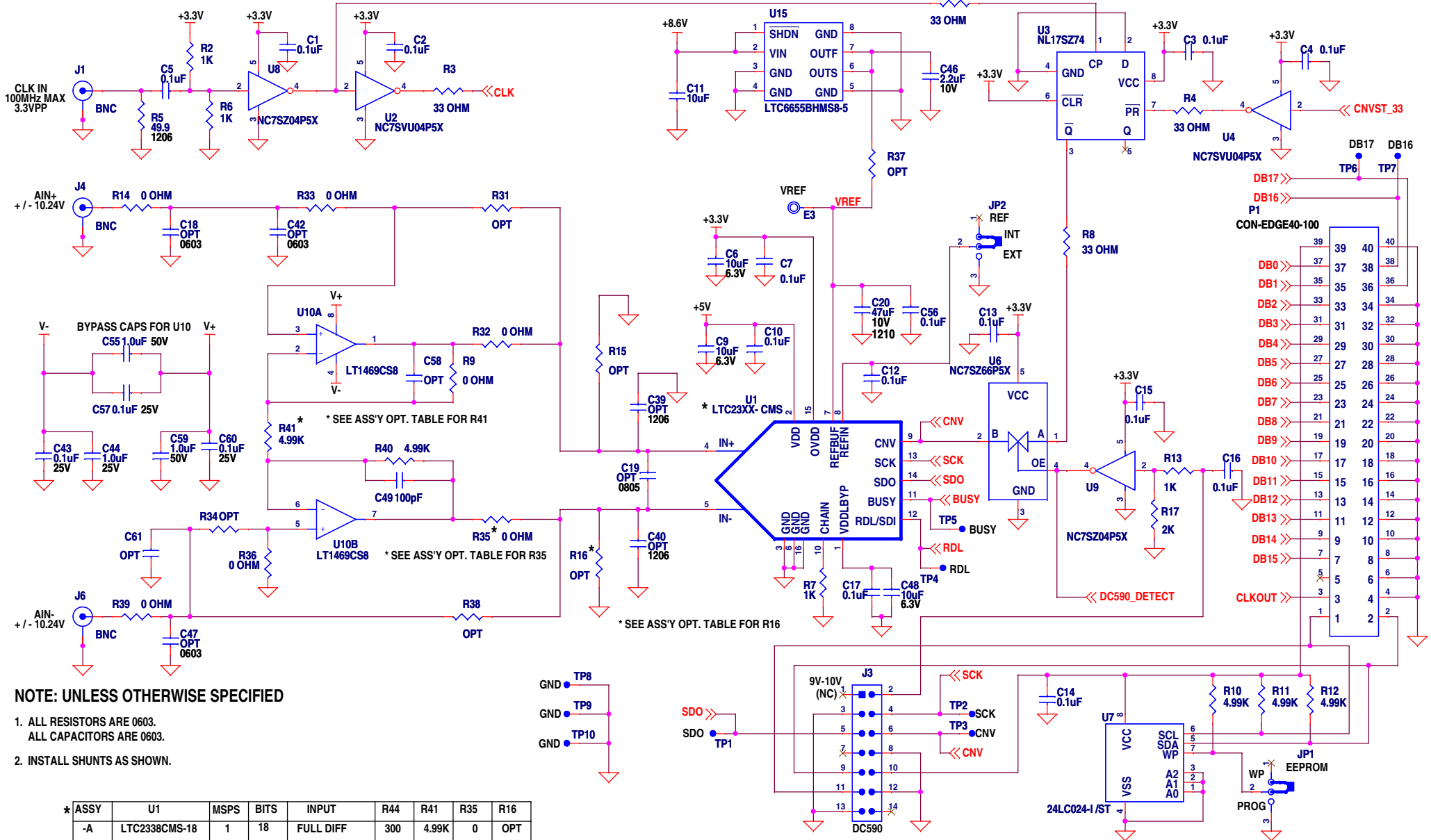


| REVISION HISTORY |     |             |          |            |
|------------------|-----|-------------|----------|------------|
| ECO              | REV | DESCRIPTION | APPROVED | DATE       |
| -                | 2   | PRODUCTION  | G.HOOVER | 08-10-2012 |



NOTE: UNLESS OTHERWISE SPECIFIED

- ALL RESISTORS ARE 0603.  
ALL CAPACITORS ARE 0603.
- INSTALL SHUNTS AS SHOWN.

| * ASSY | U1            | MSPS | BITS | INPUT       | R44 | R41   | R35 | R16 |
|--------|---------------|------|------|-------------|-----|-------|-----|-----|
| -A     | LTC2338CMS-18 | 1    | 18   | FULL DIFF   | 300 | 4.99K | 0   | OPT |
| -B     | LTC2337CMS-18 | 0.5  | 18   | FULL DIFF   | 300 | 4.99K | 0   | OPT |
| -C     | LTC2336CMS-18 | 0.25 | 18   | FULL DIFF   | 300 | 4.99K | 0   | OPT |
| -D     | LTC2328CMS-18 | 1    | 18   | PSEUDO-DIFF | 300 | OPT   | OPT | 0   |
| -E     | LTC2327CMS-18 | 0.5  | 18   | PSEUDO-DIFF | 300 | OPT   | OPT | 0   |
| -F     | LTC2326CMS-18 | 0.25 | 18   | PSEUDO-DIFF | 300 | OPT   | OPT | 0   |
| -G     | LTC2328CMS-16 | 1    | 16   | PSEUDO-DIFF | OPT | OPT   | OPT | 0   |
| -H     | LTC2327CMS-16 | 0.5  | 16   | PSEUDO-DIFF | OPT | OPT   | OPT | 0   |
| -I     | LTC2326CMS-16 | 0.25 | 16   | PSEUDO-DIFF | OPT | OPT   | OPT | 0   |

### CUSTOMER NOTICE

LINEAR TECHNOLOGY HAS MADE A BEST EFFORT TO DESIGN A CIRCUIT THAT MEETS CUSTOMER-SUPPLIED SPECIFICATIONS; HOWEVER, IT REMAINS THE CUSTOMER'S RESPONSIBILITY TO VERIFY PROPER AND RELIABLE OPERATION IN THE ACTUAL APPLICATION. COMPONENT SUBSTITUTION AND PRINTED CIRCUIT BOARD LAYOUT MAY SIGNIFICANTLY AFFECT CIRCUIT PERFORMANCE OR RELIABILITY. CONTACT LINEAR TECHNOLOGY APPLICATIONS ENGINEERING FOR ASSISTANCE.

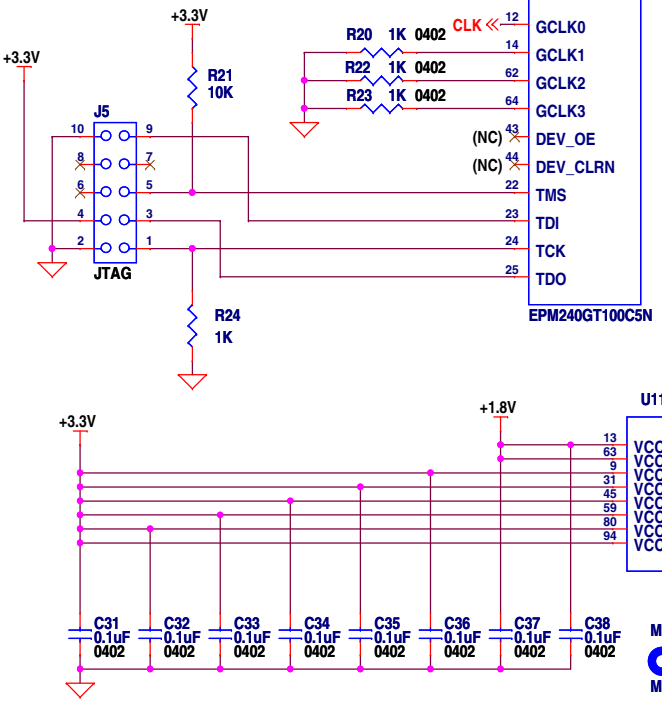
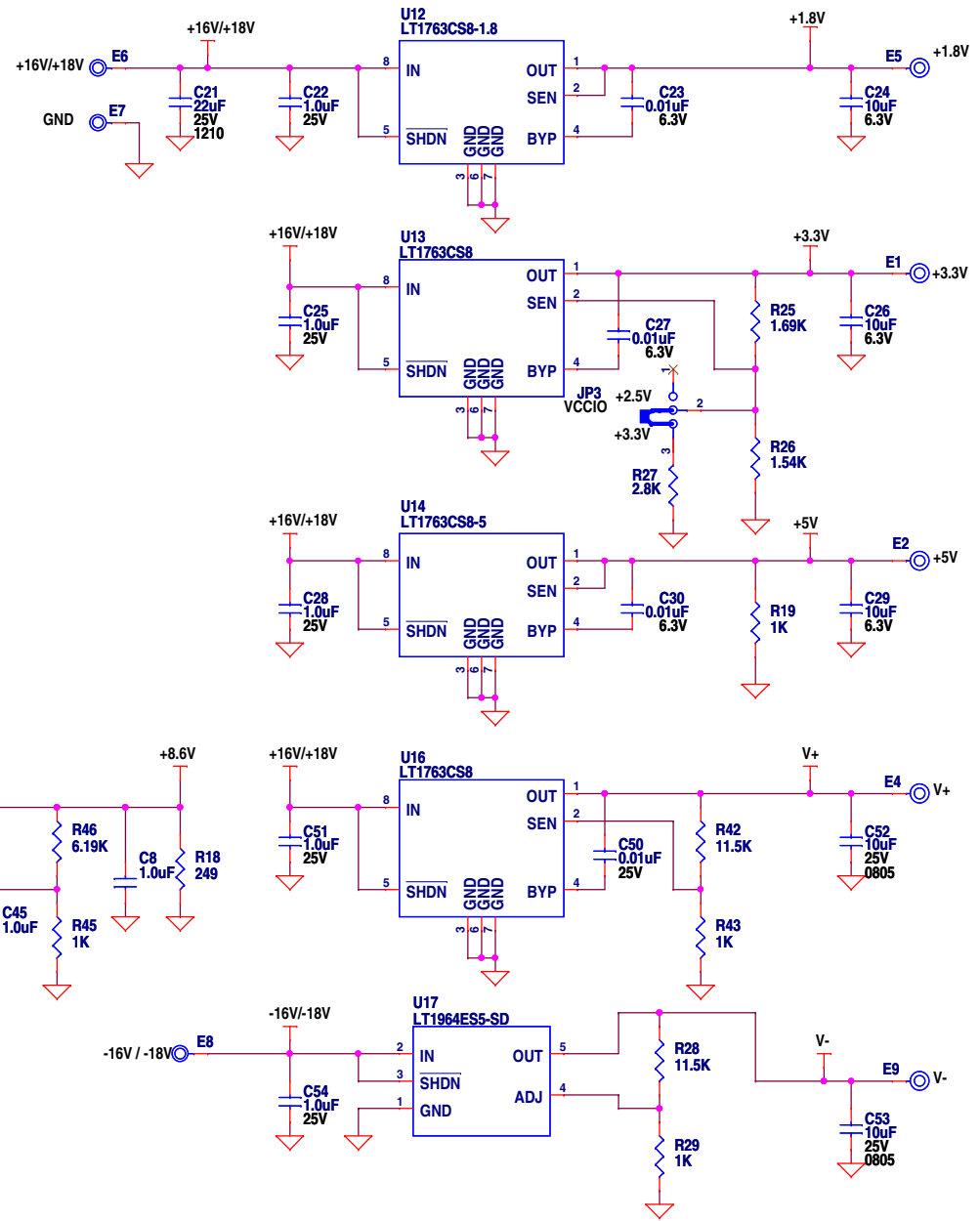
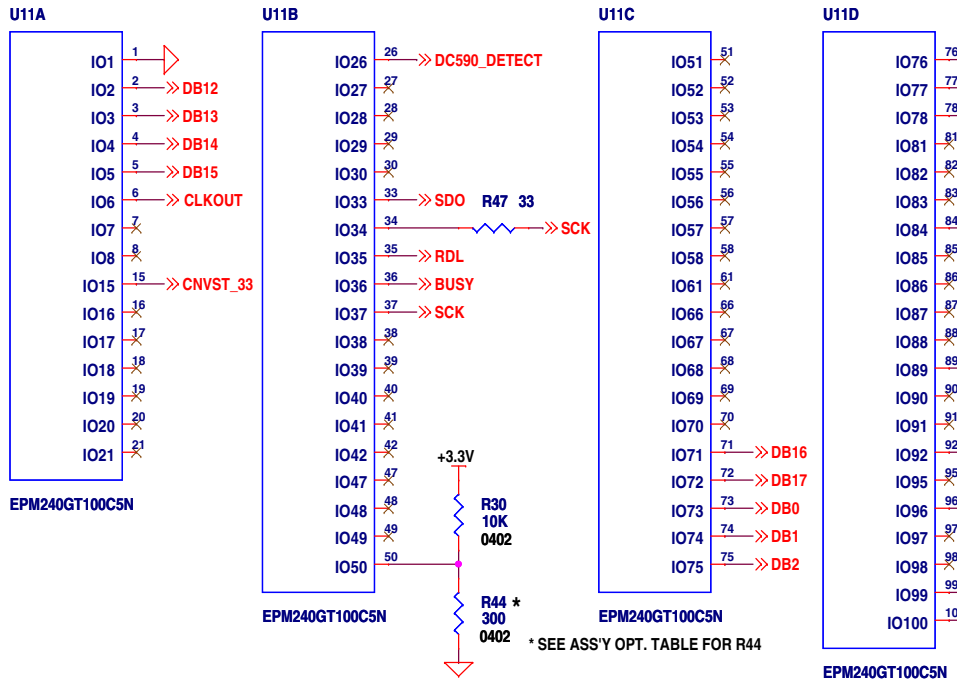
### APPROVALS

|          |           |
|----------|-----------|
| PCB DES. | M.HAWKINS |
| APP ENG. | G. HOOVER |

1630 McCarthy Blvd.  
Milpitas, CA 95035  
Phone: (408)432-1900 www.linear.com  
Fax: (408)434-0507  
LTC Confidential-For Customer Use Only

THIS CIRCUIT IS PROPRIETARY TO LINEAR TECHNOLOGY AND SUPPLIED FOR USE WITH LINEAR TECHNOLOGY PARTS.

|                             |                   |
|-----------------------------|-------------------|
| TITLE: SCHEMATIC            |                   |
| SIZE                        | IC NO.            |
| N/A                         | LTC23XXCMS FAMILY |
| TRUE BIPOLAR, LOW NOISE ADC |                   |
| DEMO CIRCUIT 1908A          |                   |
| DATE:                       | REV.              |
| 08-10-12                    | 2                 |
| SCALE = NONE                | SHEET 1 OF 2      |



| CUSTOMER NOTICE  |  | APPROVALS |  |              | 1630 McCarthy Blvd.<br>Milpitas, CA 95035<br>Phone: (408)432-1900 www.linear.com<br>Fax: (408)434-0507<br>LTC Confidential-For Customer Use Only |   |
|--|--|-----------|--|--------------|--|---|
| LINEAR TECHNOLOGY HAS MADE A BEST EFFORT TO DESIGN A CIRCUIT THAT MEETS CUSTOMER-SUPPLIED SPECIFICATIONS; HOWEVER, IT REMAINS THE CUSTOMER'S RESPONSIBILITY TO VERIFY PROPER AND RELIABLE OPERATION IN THE ACTUAL APPLICATION. COMPONENT SUBSTITUTION AND PRINTED CIRCUIT BOARD LAYOUT MAY SIGNIFICANTLY AFFECT CIRCUIT PERFORMANCE OR RELIABILITY. CONTACT LINEAR TECHNOLOGY APPLICATIONS ENGINEERING FOR ASSISTANCE. |  |           |  |              | PCB DES.   | M.HAWKINS   |
|  |  |           |  | APP ENG.     | G. HOOVER  |   |
| THIS CIRCUIT IS PROPRIETARY TO LINEAR TECHNOLOGY AND SUPPLIED FOR USE WITH LINEAR TECHNOLOGY PARTS.  |  |           |  | SCALE = NONE | DATE:  | <b>TRUE BIPOLAR, LOW NOISE ADC</b><br>SIZE N/A IC NO. <b>LTC23XXCMS FAMILY</b><br><b>DEMO CIRCUIT 1908A</b> |
|  |  |           |  |              | 08-10-12   | REV. 2  |
|  |  |           |  |              |  | SHEET 2 OF 2  |