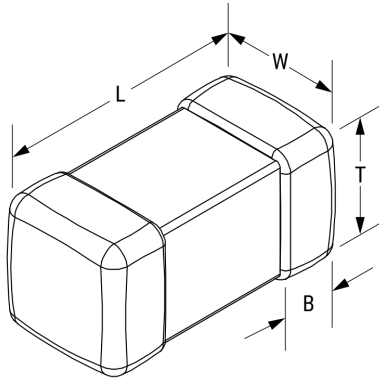


Z0805C102ASMST

Aliases (Z0805C102ASMST)

Obsolete

KEMET, Z-SMS, Ferrite Beads, Noise Suppression, 400 mOhms



Click [here](#) for the 3D model.

Dimensions

Chip Size	0805
L	2mm -3mm
W	1.25mm +/-0.2mm
T	0.85mm +/-0.2mm
B	0.5mm +/-0.3mm

Packaging Specifications

Packaging	T&R
Packaging Quantity	4000

General Information

Series	Z-SMS
Style	SMD Chip
Description	Chip Bead Signal Line
Features	Suppresses The XL Component; Helps Stop The Reduction Of The Wave-Form Integrity
RoHS	Yes
Notes	Suggested Replacement - https://www.chilisin.com/en-global/Inductor/Product/BBGK_201209/BBGK00201209102Y00 .

Specifications

Impedance	1000 Ohms (100 MHz)
Impedance Tolerance	25%
Ripple Current	300 mA (MAX)
Temperature Range	-55/+125°C