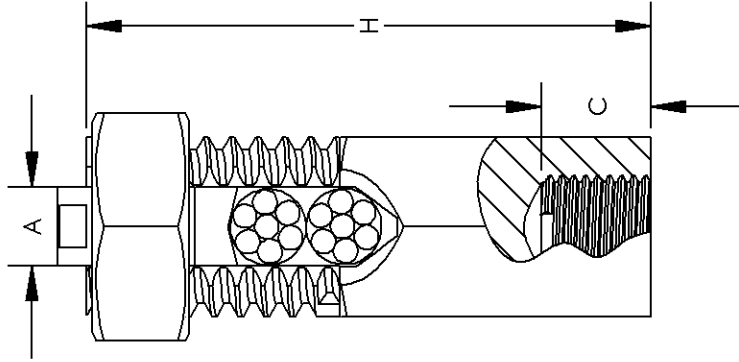


THIS COPY IS PROVIDED ON A RESTRICTED BASIS AND IS NOT TO BE USED IN ANY WAY DETRIMENTAL TO THE INTERESTS OF PANDUIT CORP.



LISTED
SUITABLE FOR
DIRECT BURIAL



CATALOG NUMBER	CONDUCTOR RANGE	WIRE DIAMETER RANGE IN	STUD SIZE	HEX NUT		C		H		BODY HEX	
				IN	MM	IN	MM	IN	MM		
SPF2-8-C	12 SOL. - 8 STR.	.081 - .146	1/4-20	0.50	13	0.25	6	1.13	29	0.38	9
SPF2-7-C	10 SOL. - 7 STR.	.102 - .164	1/4-20	0.69	17	0.25	6	1.44	37	0.50	13
SPF2-4-C	10 SOL. - 4 STR.	.102 - .232	5/16-18	0.75	19	0.31	8	1.56	40	0.56	14
SPF2-3-C	10 SOL. - 3 STR.	.102 - .260	3/8-16	0.81	21	0.38	9	1.63	41	0.63	16
SPF2-2-C	10 SOL. - 2 STR.	.102 - .292	3/8-16	0.88	22	0.38	9	1.94	49	0.69	17
SPF2-1/0-L	2 SOL. - 1/0 STR.	.258 - .375	1/2-13	1.00	25	0.44	11	2.13	54	0.75	19
SPF2-2/0-Q	2 SOL. - 2/0 STR.	.258 - .419	1/2-13	1.13	29	0.50	13	2.31	59	0.88	22
SPF2-4/0-Q	1 SOL. - 4/0 STR.	.289 - .528	5/8-11	1.38	35	0.63	16	2.50	64	1.13	29
SPF2-350-12	1 STR. - 350 kcmil	.332 - .682	5/8-11	1.50	38	0.63	16	2.69	68	1.25	32
SPF2-500-12	3/0 STR. - 500 kcmil	.470 - .815	3/4-10	1.81	46	0.75	19	3.31	84	1.50	38

NOTES:

1. MATERIAL: HIGH COPPER CONTENT
HARD DRAWN ROD
2. USED FOR CONNECTING CONDUCTORS
OF VARIOUS SIZES TO EXTERNAL
THREADED STUDS

02	10/08	JHNU JHNU	REVISED UL LISTING CONVERTED DWG. TO SOLIDWORKS								
01	9/97	JKD	REMOVED SDS-11, SDS-12 REPLACED CATALOG NUMBERS WITH FINISHED PART NUMBERS								
00	7/97	TM	DWG. RELEASED								
REV	DATE	BY	CHK	DESCRIPTION	ECN	SCALE	N/A	DRAWING NO / CAD FILE	C41216_02		



PANDUIT CORP. TINLEY PARK, ILLINOIS
BRONZE SERVICE POST CONNECTORS, TYPE SPF2
CUSTOMER DRAWING