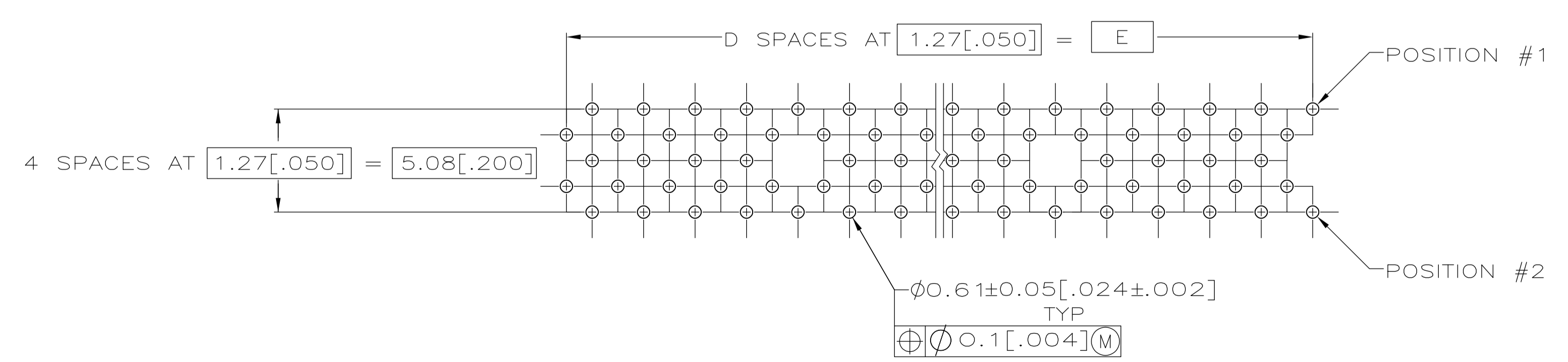
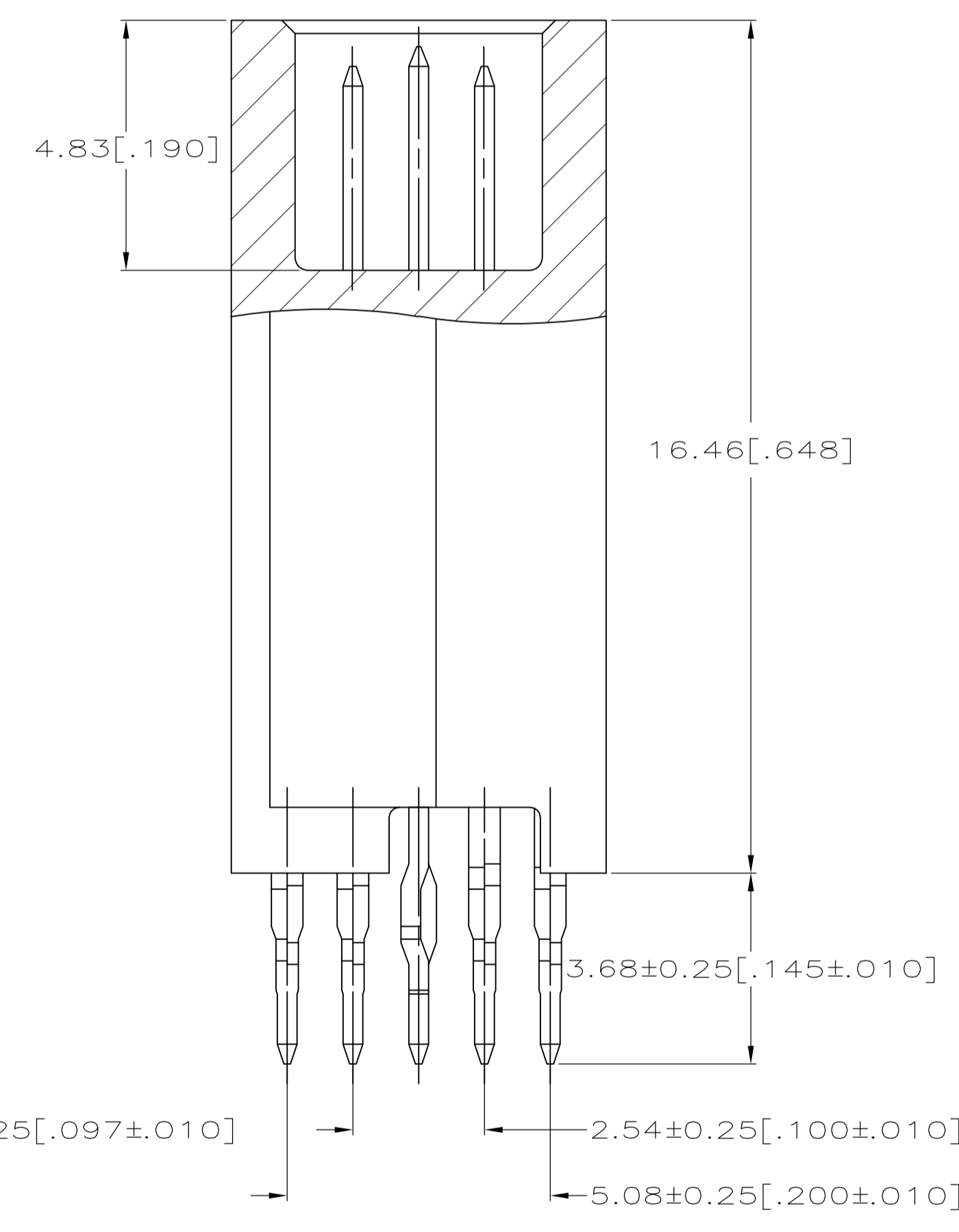
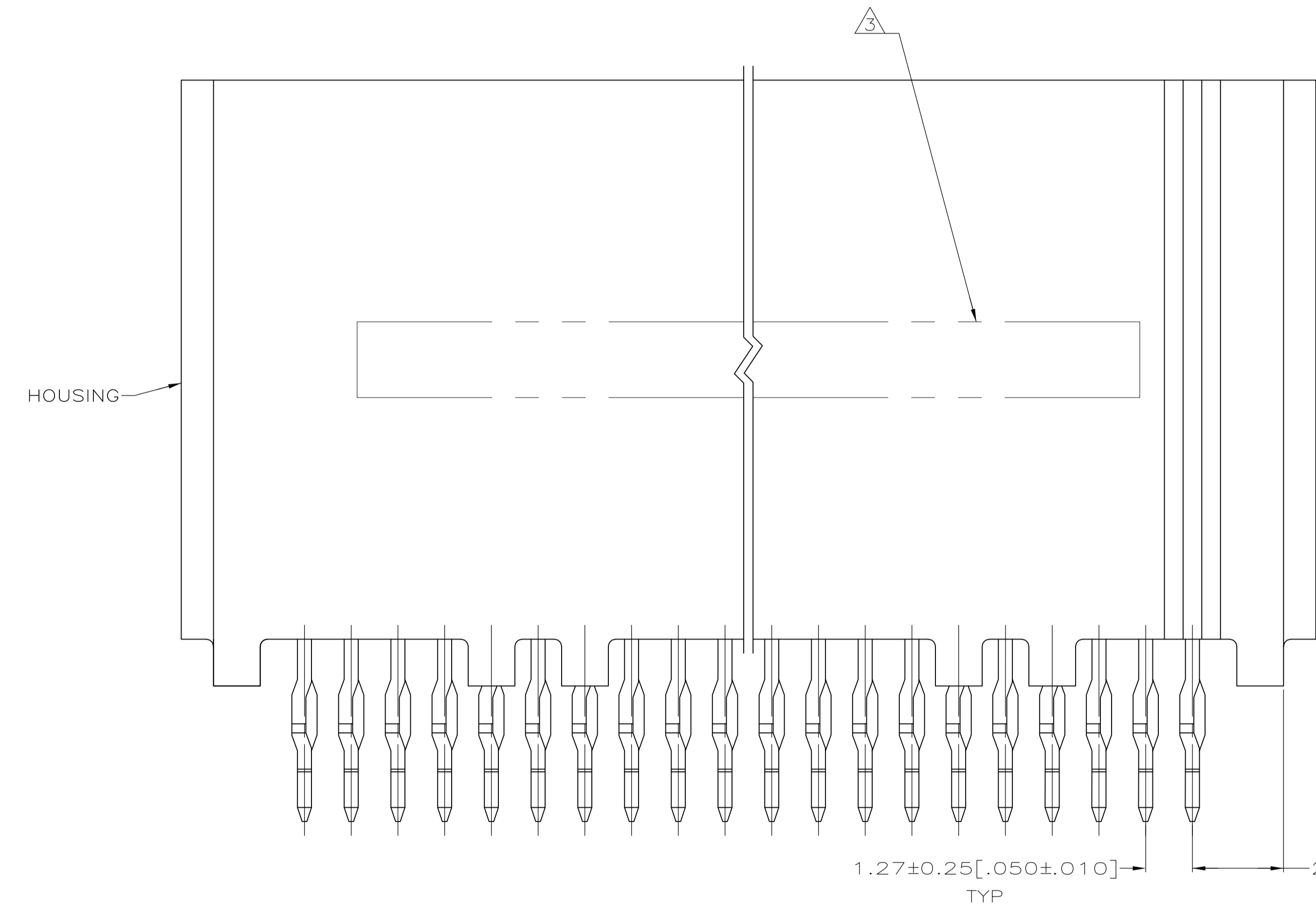


- 1 HOUSING: HIGH TEMPERATURE THERMOPLASTIC, COLOR NATURAL.
PIN CONTACTS: PHOSPHOR BRONZE.
GROUND BUSES: PHOSPHOR BRONZE.
- 2 CONTACTS & GROUND BUSES: 0.00076(.000030) MIN. GOLD PER ASTM B 488 ON CONTACT AREA, 0.00254-0.00762(.000100-.000300) MATTE TIN PER ASTM B 545 ON SOLDER TAIL, ALL OVER 0.00127-0.00254(.000050-.000100) MATTE NICKEL PER SAE AMS-QQ-N-290 ON ENTIRE CONTACT.
- 3 AMP AND DATE CODE MARKED IN AREA INDICATED, ON SAME SIDE AS POSITION NUMBER 2 INDICATOR.
- 4 ONE GROUND BUS WITH 4 TAILS PER EACH 20 PIN CONTACTS.



87.63	[3.450]	69	90.12	[3.548]	92.71	[3.650]	94.34	[3.714]	140	5149013-6
62.23	[2.450]	49	64.72	[2.548]	67.31	[2.650]	68.94	[2.714]	100	5149013-4
36.83	[1.450]	29	39.32	[1.548]	41.91	[1.650]	43.54	[1.714]	60	5149013-2
24.13	[.950]	19	26.62	[1.048]	29.21	[1.150]	30.84	[1.214]	40	5149013-1
E		D	C		B		A		NO OF POS	PART NUMBER

THIS DRAWING IS A CONTROLLED DOCUMENT.		DIN	L VARELA	01-19-05
DIMENSIONS: mm [INCHES]		CHK	D DIXON	01-19-05
TOLERANCES UNLESS OTHERWISE SPECIFIED:		APPV	D DIXON	01-19-05
0 PLC	± -	NAME		
1 PLC	± -	PLUG ASSEMBLY, 18.75[.738]		
2 PLC	± -	TAIL, BOARD TO BOARD, MICROSTRIP		
3 PLC	± 0.13[.005]	PRODUCT SPEC		
4 PLC	± -	108-1272		
ANGLES	± -	APPLICATION SPEC		
		114-11005		
MATERIAL	1	WEIGHT	-	SIZE
FINISH	2	SCALE	10:1	CAGE CODE
		DRAWING NO	A100779	DRAWING NO
		RESTRICTED TO	-	SCALE
		CUSTOMER DRAWING	5149013	SCALE
		SCALE	10:1	SHEET
		SHEET	1 of 1	REV
		REV	03	