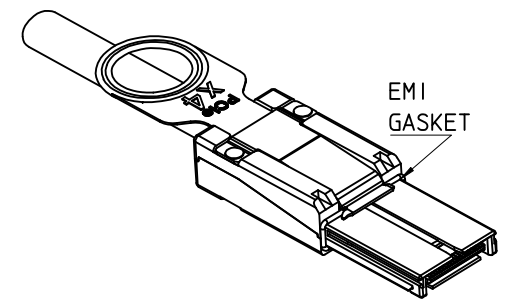


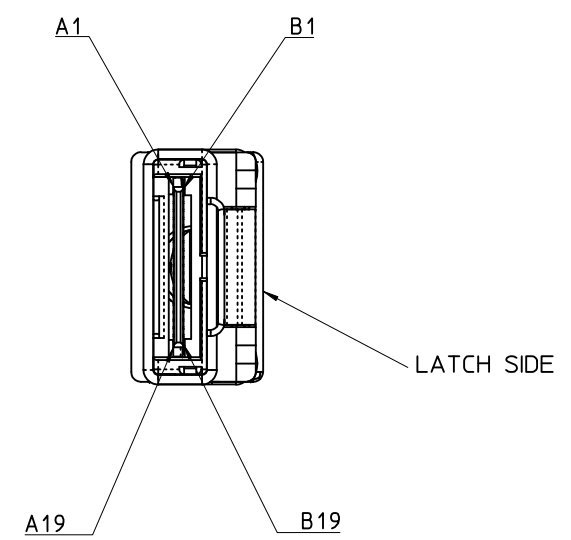
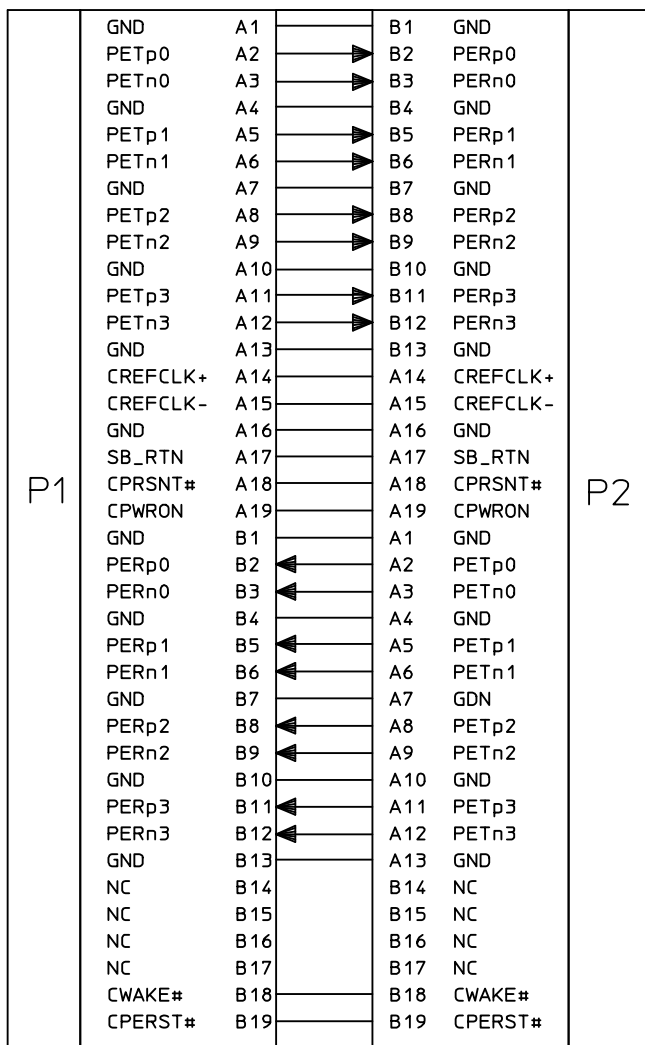
| MOLEX P/N | LENGTH | GAGE | TOLERANCE | JACKET RATING |
|-----------|----------------|------|-----------|---------------|
| 745460400 | 0.5M | 28 | 0.03M | VW1 |
| 745460401 | 1.0M | 28 | 0.05M | VW1 |
| 745460411 | 1.25M | 28 | 0.05M | VW1 |
| 745460402 | 2.0M | 28 | 0.05M | VW1 |
| 745460403 | 3.0M | 28 | 0.05M | VW1 |
| 745460404 | 4.0M | 28 | 0.10M | VW1 |
| 745460405 | 5.0M | 26 | 0.10M | CL2 |
| 745460406 | 6.0M | 26 | 0.13M | CL2 |
| 745460407 | 7.0M | 24 | 0.13M | CL2 |
| 745460408 | 8.0M Δ | 24 | 0.13M | CL2 |
| 745460409 | 9.0M Δ | 24 | 0.15M | CL2 |
| 745460410 | 10.0M Δ | 24 | 0.15M | CL2 |
| 745460415 | 15.0M Δ | 24 | 0.15M | CL2 |



- NOTES:
- MATERIAL-
BACKSHELLS - ZINC DIECAST
PULL - NYLON
CABLE JACKET RATING - SEE TABLE
 - LENGTH AND TOLERANCE - SEE TABLE
 - ELECTRICAL PERFORMANCE PER PCI EXPRESS EXTERNAL CABLING SPEC.
 - PLUG MATES TO RECEPTACLE 75586-0010, AND EMI GUIDE HOUSING ASSY.74540-0400
 - THIS PRODUCT MEETS THE RESTRICTION OF HAZARDOUS SUBSTANCES IN ELECTRICAL AND ELECTRONIC EQUIPMENT (RoHS) DIRECTIVE (2002/95/EC).
- Δ . NOT COMPLIANT WITH INSERTION LOSS SPEC. PER. THE PCIe CABLING SPEC.

| | | | | | | |
|--|--------------------------|--|------------------------------|------------|---|--|
| ADDED P/N EC NO: USY2009-0263 DRWN: JERWIN 2009/01/08 CHKD: BSCHOSTER 2009/01/08 APPR: DDOYE 2009/01/12 REV | QUALITY SYMBOLS | GENERAL TOLERANCES (UNLESS SPECIFIED) | DIMENSION STYLE | SCALE | DESIGN UNITS | THIRD ANGLE PROJECTION |
| | $\nabla=0$ $\nabla=0$ | mm | MM ONLY | 1:1 | METRIC | TITLE I-PASS X4 CABLE ASSEMBLY GEN 1 |
| | | INCH | MM ONLY | DRAWN BY | DATE | |
| | | | 4 PLACES \pm --- \pm --- | BREED | 2005/02/02 | |
| | | 3 PLACES \pm --- \pm --- | CHECKED BY | DATE | | SHEET NO. 1 OF 3 |
| | | 2 PLACES ± 0.13 \pm --- | DDOYE | 2005/02/02 | | |
| | | 1 PLACE ± 0.25 \pm --- | APPROVED BY | DATE | | |
| | | ANGULAR $\pm 1/2^\circ$ | DDOYE | 2005/02/02 | | |
| | | DRAFT WHERE APPLICABLE MUST REMAIN WITHIN DIMENSIONS | MATERIAL NO. | SEE TABLE | | |
| | | | SIZE | B | THIS DRAWING CONTAINS INFORMATION THAT IS PROPRIETARY TO MOLEX INCORPORATED AND SHOULD NOT BE USED WITHOUT WRITTEN PERMISSION | |

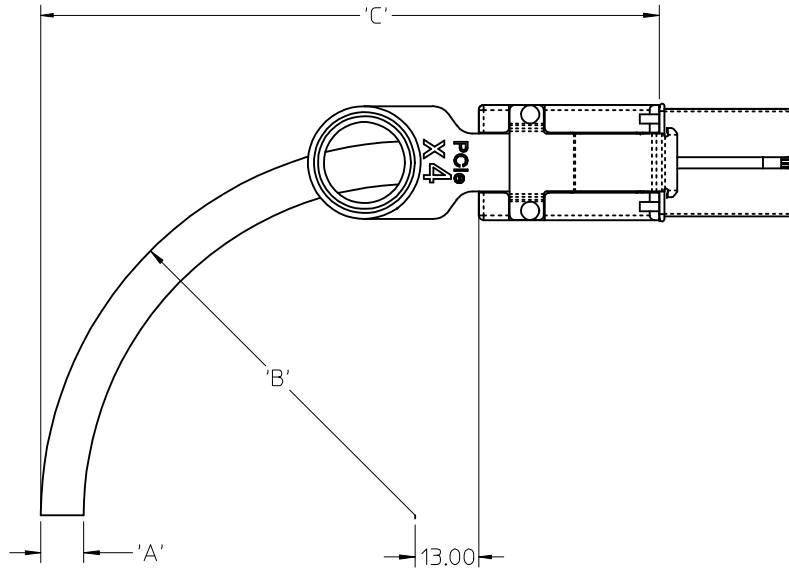
10 9 8 7 6 5 4 3 2 1



I-PASS™ IS A TRADEMARK OF MOLEX

| | | | | | | | | | | | |
|---|--------------------|-------------------------------|---------------------------------------|--|----------------------------|---|--------------------|------------------------|------------------------|------------------------------|---------------------|
| ADDED P/N EC NO: USY2009-0263 DRAWN: JERMIN 2009/01/08 CHKD: HSCHOESTER 2009/01/08 APPR: DDOYE 2009/01/12 | DESCRIPTION REV | QUALITY SYMBOLS ▽=0 ▽=0 | GENERAL TOLERANCES (UNLESS SPECIFIED) | | DIMENSION STYLE MM ONLY | | SCALE 1:1 | DESIGN UNITS METRIC | THIRD ANGLE PROJECTION | | |
| | | 4 PLACES ± --- ± --- | mm INCH | DRAWN BY BREED | DATE 2005/02/02 | TITLE I-PASS X4 CABLE ASSEMBLY GEN 1 | | | | | |
| | | 3 PLACES ± --- ± --- | 2 PLACES ± 0.13 ± --- | CHECKED BY DDOYE | DATE 2005/02/02 | | | | | | |
| | | 1 PLACE ± 0.25 ± --- | ANGULAR ± 1/2° | DRAFT WHERE APPLICABLE MUST REMAIN WITHIN DIMENSIONS | | APPROVED BY DDOYE | DATE 2005/02/02 | MOLEX INCORPORATED | | DOCUMENT NO. SD-74546-400 | SHEET NO. 2 OF 3 |
| | | MATERIAL NO. SEE TABLE | | | | THIS DRAWING CONTAINS INFORMATION THAT IS PROPRIETARY TO MOLEX INCORPORATED AND SHOULD NOT BE USED WITHOUT WRITTEN PERMISSION | | | | | |

9 8 7 6 5 4 3 2 1



| CABLE GAUGE | 24 | 26 | 28 |
|-----------------------------|-------|-------|-------|
| A CABLE DIAMETER | 10.54 | 9.53 | 8.75 |
| B MINIMUM OUTER RADIUS | 42.00 | 38.00 | 35.00 |
| C FACEPLATE TO OUTER RADIUS | 91.86 | 87.86 | 84.86 |

IPASS™ IS A TRADEMARK OF MOLEX

| | | | | | | | |
|--|-----------------|--|--|---|--------------------------------------|------------------------------------|---------------------|
| ADDED P/N EC NO: USY2009-0263 DRWN: JERWIN 2009/01/08 CHKD: BSCHOESTER 2009/01/08 APPR: DDOYE 2009/01/12 | QUALITY SYMBOLS | GENERAL TOLERANCES (UNLESS SPECIFIED) | DIMENSION STYLE | SCALE | DESIGN UNITS | THIRD ANGLE PROJECTION | |
| | ▼=0 ∇=0 | mm INCH 4 PLACES ± --- ± --- 3 PLACES ± --- ± --- 2 PLACES ± 0.13 ± --- 1 PLACE ± 0.25 ± --- ANGULAR ± 1/2° | MM ONLY | 1:1 | METRIC | ☉ □ THIRD ANGLE PROJECTION | |
| | DESCRIPTION | DRAFT WHERE APPLICABLE MUST REMAIN WITHIN DIMENSIONS | DRAWN BY DATE BREED 2005/02/02 CHECKED BY DATE DDOYE 2005/02/02 APPROVED BY DATE DDOYE 2005/02/02 | TITLE | I-PASS X4 CABLE ASSEMBLY GEN 1 | | |
| | REV | | MATERIAL NO. | SEE TABLE | DOCUMENT NO. | MOLEX INCORPORATED SD-74546-400 | |
| | | | SIZE B | THIS DRAWING CONTAINS INFORMATION THAT IS PROPRIETARY TO MOLEX INCORPORATED AND SHOULD NOT BE USED WITHOUT WRITTEN PERMISSION | | | SHEET NO. 3 OF 3 |