

PART NAME: BALL KNOB SCALE: 1:1 DATE: 11/16/92 DRN. BY: HD

THIS DRAWING IS THE PROPERTY OF DAVIES MOLDING COMPANY, IS SUBMITTED SOLELY AS A DESIGN OR ENGINEERING PROJECT. WE ACCEPT NO RESPONSIBILITY WHATSOEVER FOR THE PRACTICAL APPLICATION OF THE PIECES MADE TO THIS DESIGN.



DESIGNERS & MANUFACTURERS
OF KNOBS, HANDLES, CASES &
CUSTOM PLASTIC COMPONENTS

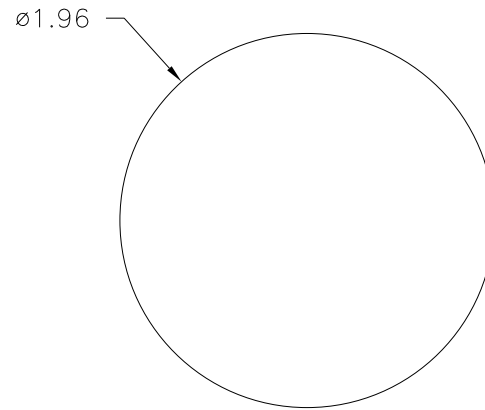
P/N 0055BH

BASE PART 0055-01

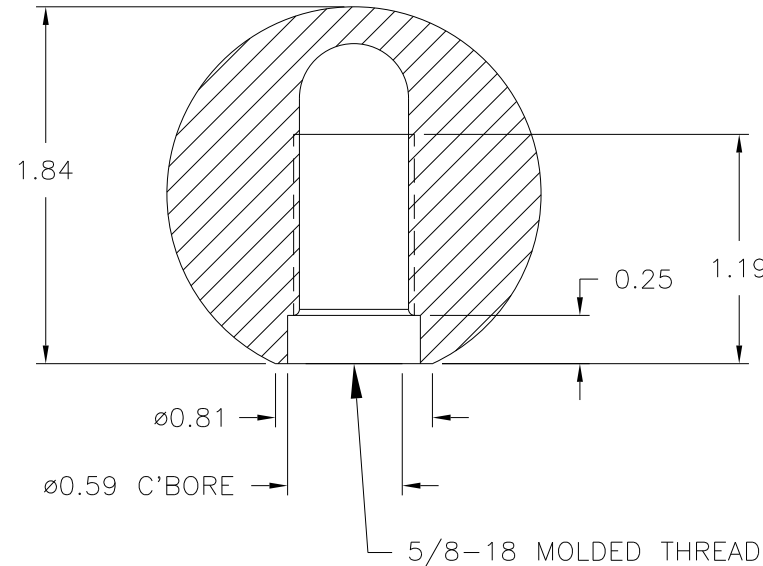
(B)

(C)

(A)



NOTE: BUFFED AND POLISHED



MATERIAL: G.P. PHENOLIC (B11)
COLOR: BLACK

TOLERANCES:
UNLESS OTHERWISE SPECIFIED

DO NOT SCALE
DRAWING

DECIMALS: X.XXX ± .005
 X.XX ± .015

MM: X.XX ± 0.15MM
 X.X ± 0.4MM

FRACTIONS ± 1/64

ANG. ± 1°

C	ADDED BASE PART	JAM	2/25/14
B	REMOVED BASEPART	JAM	4/8/13
-	UPDATED TOOLBOX	JAM	1/14/03
-	REDRAWN	TL	9/29/99
A	REMOVED ROTARY TOOLING	MP	2/24/97

CHANGES

