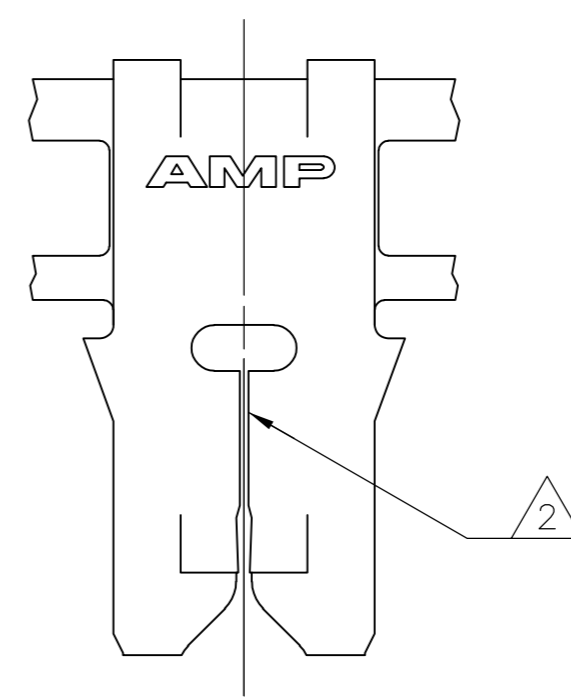
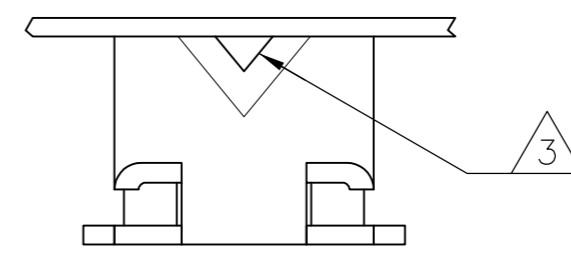
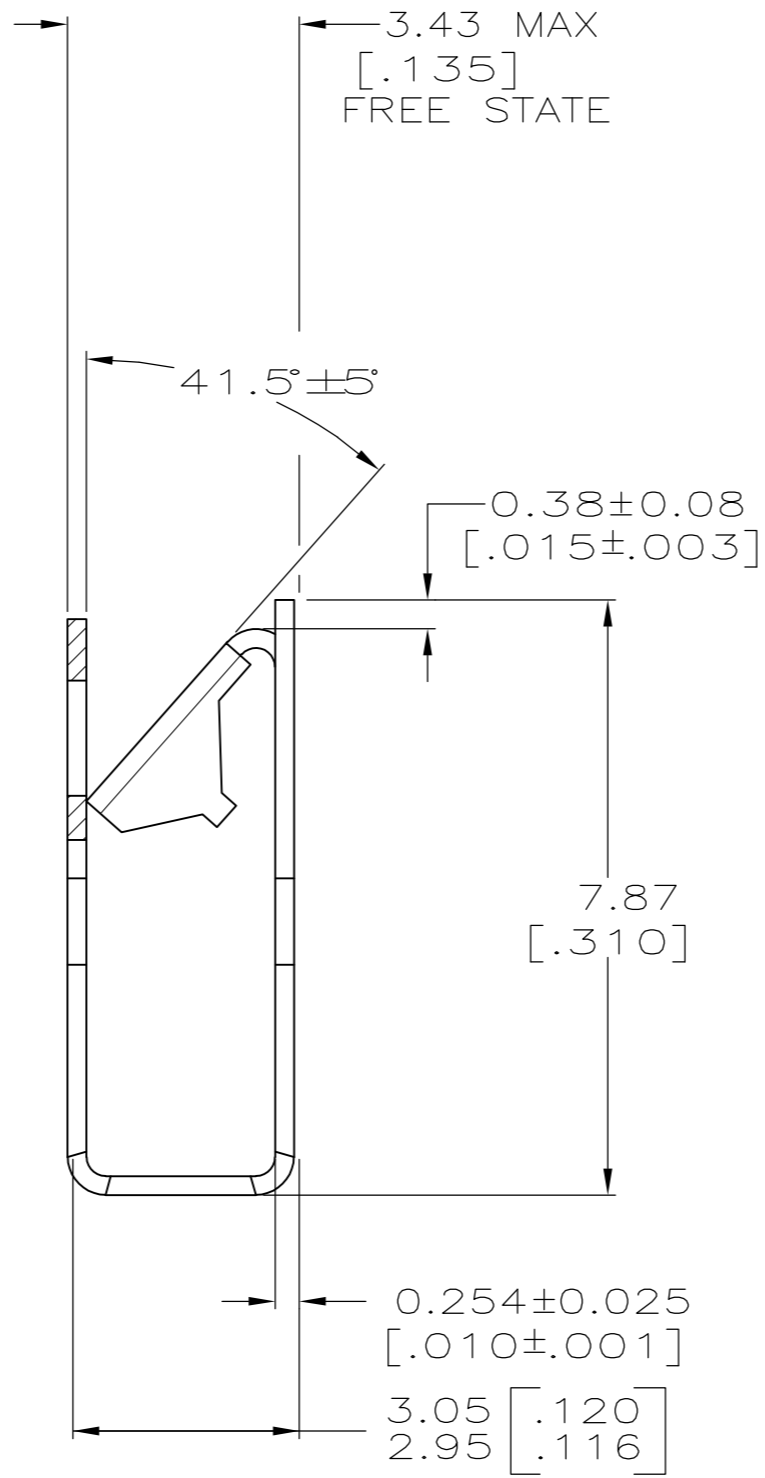
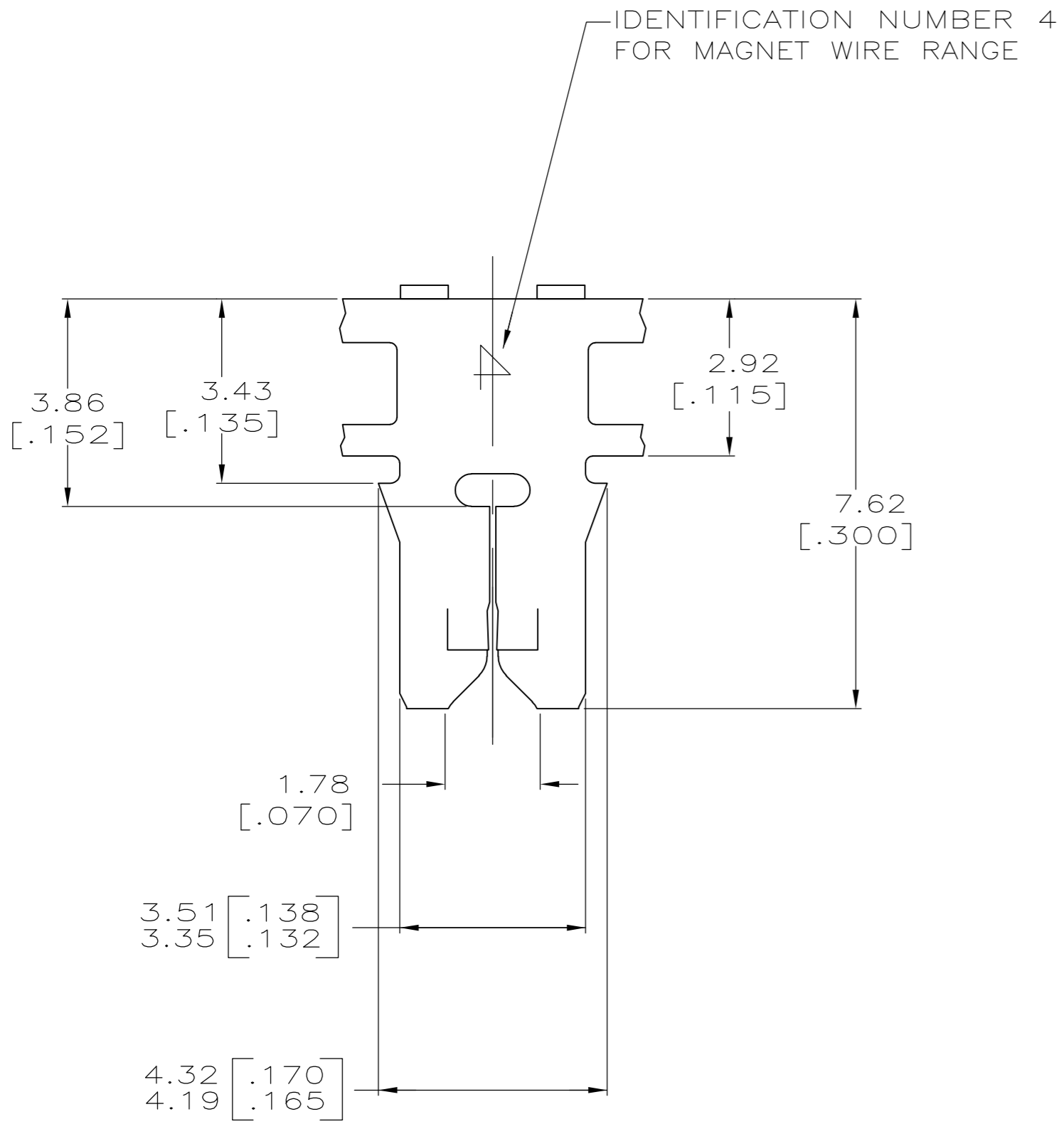


THIS DRAWING IS UNPUBLISHED. RELEASED FOR PUBLICATION
 © COPYRIGHT BY TYCO ELECTRONICS CORPORATION. ALL RIGHTS RESERVED.

LOC		DIST		REVISIONS			
P	LTR	DESCRIPTION	DATE	DWN	APVD		
	Z1	REVISED PER ECR-07-010057	07MAY07	HMR	KR		

- 1 CONTINUOUS STRIP ON REELS WITH TERMINALS LOCATED ON 5.59±0.08 [.220±.003] CENTERS.
- 2 SLOT ACCEPTS 0.18-0.23mm [#33-#31] AWG COPPER MAGNET WIRE. 2 WIRES OF THE SAME SIZE PER SLOT.
- 3 POKE-IN ACCEPTS A 0.50-0.90mm² [#20-#18] AWG SOLID OR FUSED STRANDED LEAD WIRE.
- 4 SPECIAL REEL QUANTITY - AMP SPAIN PRODUCTION ONLY.
- 5 PRELIMINARY - NOT FOR PRODUCTION.



PAPER SPLICE	WITH PAPER	0.002032 [.000080] MIN TIN PLATE	4M BRASS	5	62431-6
WELD SPLICE	WITH PAPER	0.002032 [.000080] MIN TIN PLATE	4M BRASS	4	62431-5
		-	-	-	-
WELD SPLICE	PLASTIC REEL W/ PAPER	UNPLATED	4M BRASS		62431-2
WELD SPLICE	WITH PAPER	0.002032 [.000080] MIN TIN PLATE	4M BRASS		62431-1
SPLICE	REELING	FINISH	MATERIAL		PART NO

THIS DRAWING IS A CONTROLLED DOCUMENT.

DIMENSIONS: INCHES

TOLERANCES UNLESS OTHERWISE SPECIFIED:

0 PLC	± -
1 PLC	± -
2 PLC	± 0.25 [.010]
3 PLC	± -
4 PLC	± -
ANGLES	± -

MATERIAL: SEE TABLE

FINISH: SEE TABLE

APPROVALS:

DWN	23/JUN/94	R.R. BUCHHEISTER JR.
CHK	24/JUN/94	MICHAEL S. FEHER
APVD	27/JUN/94	NELSON E. NEFF

tyco Electronics Tyco Electronics Corporation Harrisburg, Pa 17105-3608

NAME: R. BUCHHEISTER JR., MICHAEL S. FEHER, NELSON E. NEFF

PRODUCT SPEC: 108-2012

APPLICATION SPEC: 114-2046

WEIGHT: -

CUSTOMER DRAWING

SIZE: A2

CAGE CODE: 00779

DRAWING NO: C=62431

RESTRICTED TO: -

SCALE: 10:1

SHEET: 1 OF 1

REV: Z1