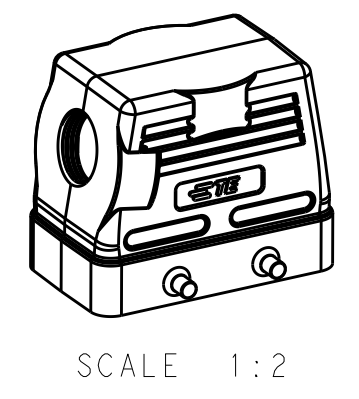
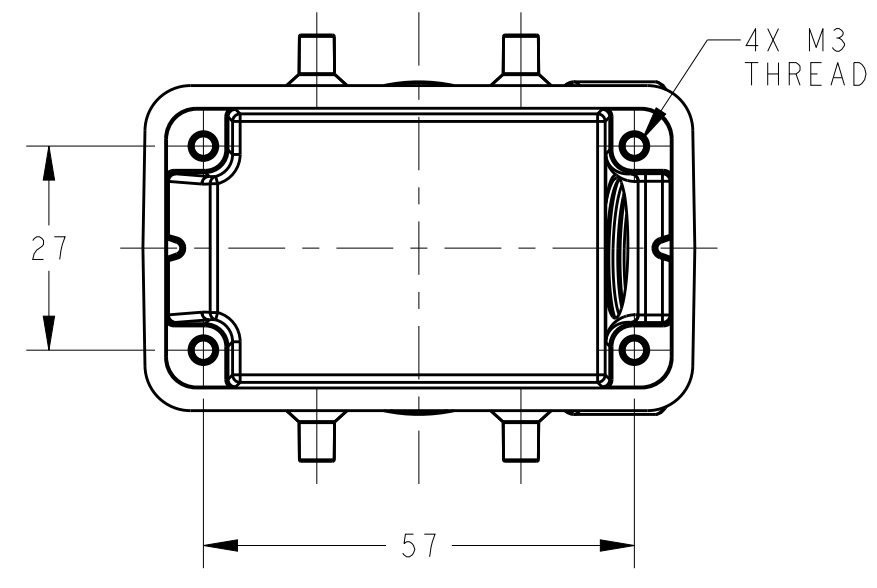
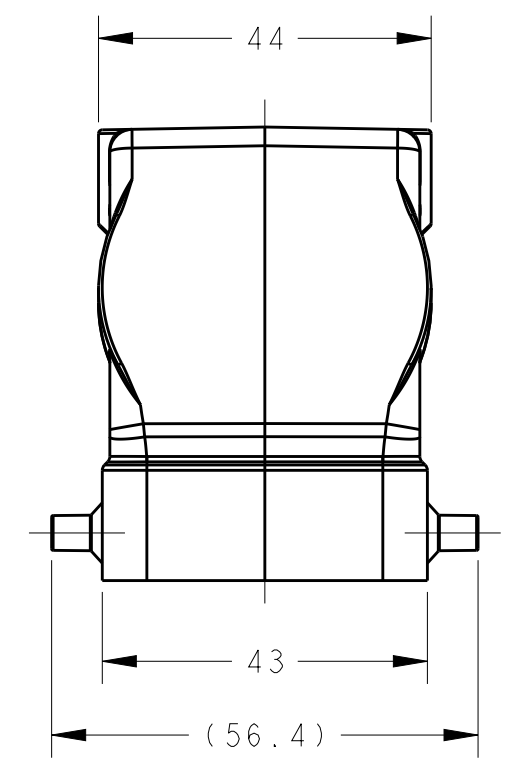
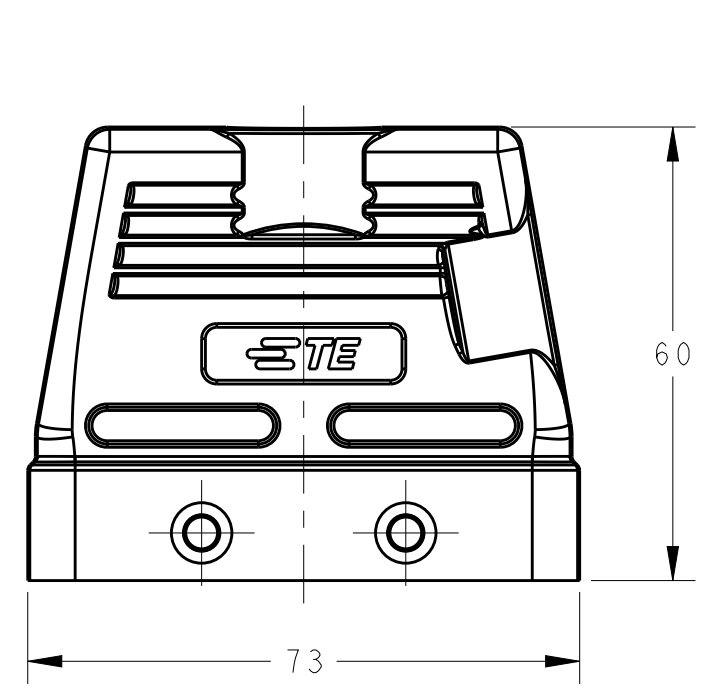
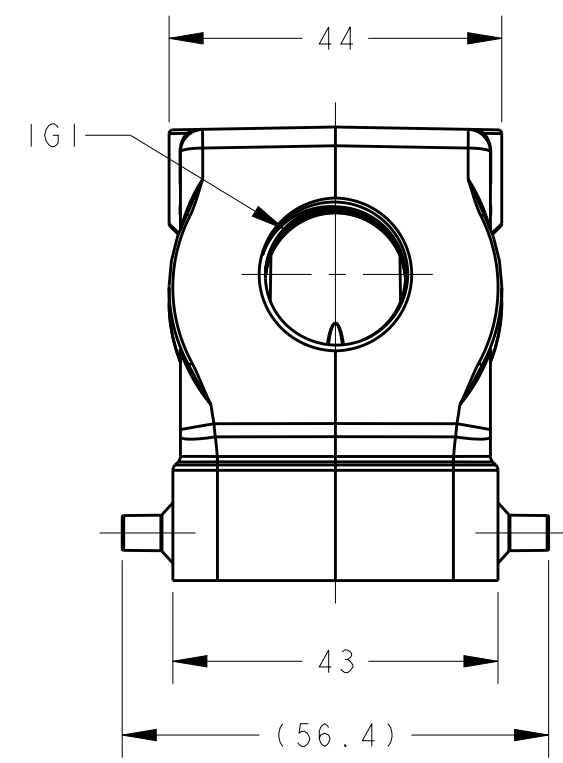
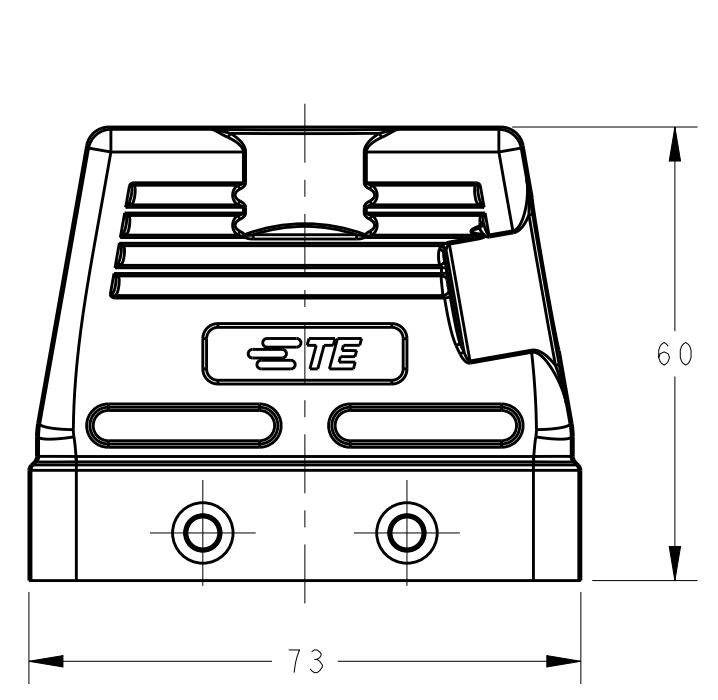
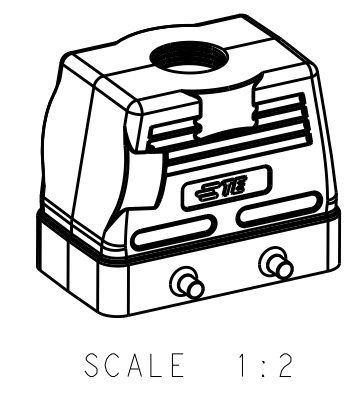
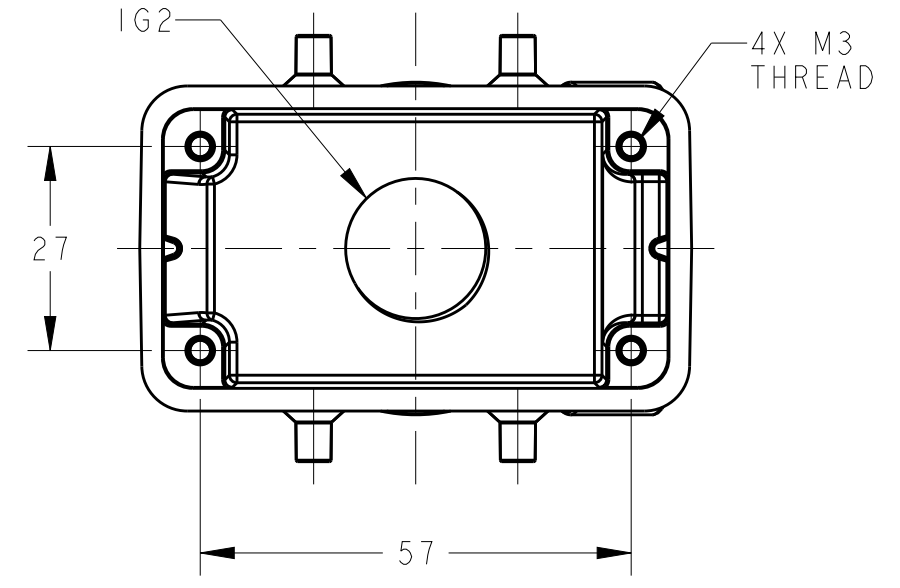


THIS DRAWING IS UNPUBLISHED. RELEASED FOR PUBLICATION 20
 © COPYRIGHT 20 BY - ALL RIGHTS RESERVED.

REVISIONS				
P	LTR	DESCRIPTION	DATE	APVD
	A	INITIAL	10JUN2015	DW CW



SCALE 1:2



SCALE 1:2

TYPE 1: LOW CONSTRUCTION, SIDE ENTRY

TYPE 2: LOW CONSTRUCTION, TOP ENTRY

NOTES:
 I. TECHNICAL CHARACTERISTICS:
 HOOD MATERIAL: DIE CAST ALUMINIUM ALLOY
 SURFACE: POWDER COATED, GREY
 OPERATION TEMPERATURE: -40-+125°C
 DEGREE OF PROTECTION: IP65 (MATED)

注释:
 I. 技术参数:
 上壳材料: 铝合金
 表面处理: 粉末涂层, 灰色
 工作温度: -40-+125°C
 防护等级: IP65(配合)

T1210100113-000	TYPE 1	H10B-TS-PG13.5	PG13.5	-
T1210100116-000		H10B-TS-PG16	PG16	-
T1210100120-000		H10B-TS-M20	M20	-
T1210100121-000		H10B-TS-PG21	PG21	-
T1210100125-000		H10B-TS-M25	M25	-
T1210100132-000		H10B-TS-M32	M32	-
T1220100113-000	TYPE 2	H10B-TG-PG13.5	-	PG13.5
T1220100116-000		H10B-TG-PG16	-	PG16
T1220100120-000		H10B-TG-M20	-	M20
T1220100121-000		H10B-TG-PG21	-	PG21
T1220100125-000		H10B-TG-M25	-	M25
T1220100136-000		H10B-TG-M36	-	M36
PART NUMBER	TYPE	DESCRIPTION	IG1	IG2

THIS DRAWING IS A CONTROLLED DOCUMENT. DWN David Wang 10JUN2015
 CHK Chris Wang 10JUN2015
 APVD Xiang Xu 10JUN2015

STE TE Connectivity

NAME: H10B-TS/TG-M/PG

PRODUCT SPEC: 108-137013
 APPLICATION SPEC: 114-137013

SIZE: A2 CAGE CODE: 00779 DRAWING NO: T12X01001XX000 RESTRICTED TO: -
 WEIGHT: -
 Customer Drawing SCALE: 1:1 SHEET: 1 OF 1 REV: A