

D

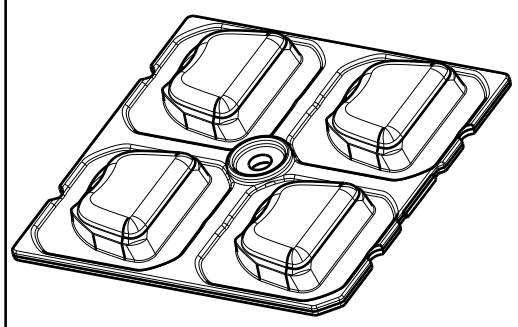
C

B

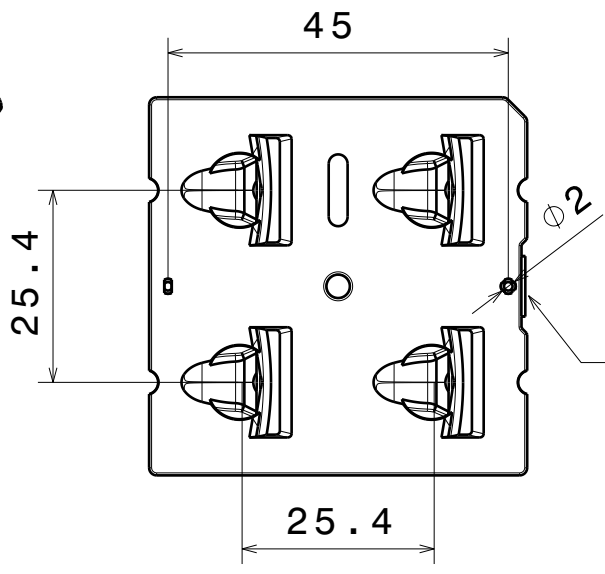
A

4

4



Isometric view

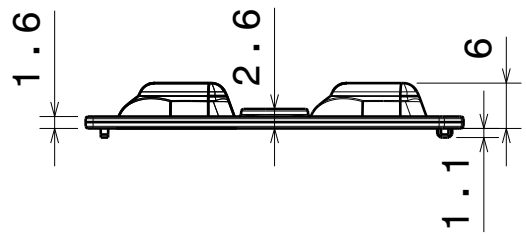


Bottom view

Position pins

3

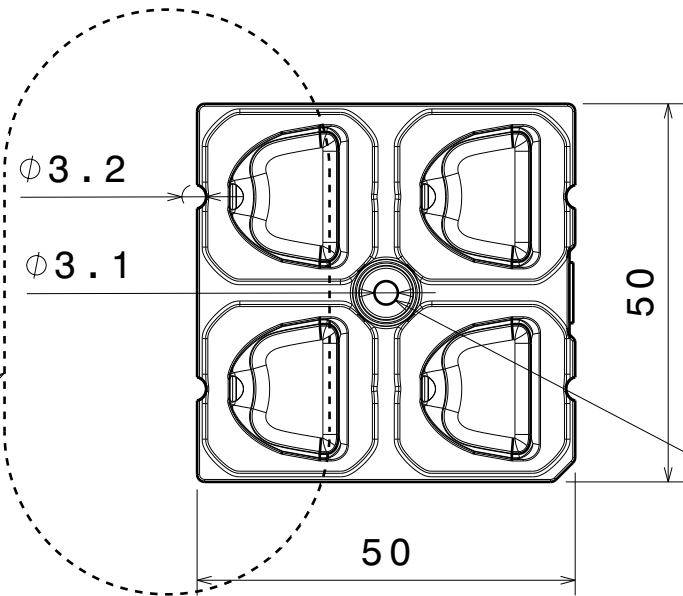
3



Front view

2

2



Top view

Screw hole

Beam direction (street side)

INDEX	PART NO	DESCRIPTION	MATERIAL	COLOUR
1	C12362	STRADA-2X2-DWC	PMMA	clear

Tolerances if not otherwise shown
 According to DIN ISO 2768-1
 Linear measures:
 up to 30mm class M, otherwise class C
 According to DIN ISO 2768-2
 Form and position: class L

LEDiL LediL Oy
 Salorankatu 10
 FIN 24240 SALO
 Finland

THIRD ANGLE PROJECTION:

DRAWING TITLE
C12362_STRADA-2X2-DWC

This drawing is the property of LEDiL Oy. It may not be reproduced, copied or communicated without a written agreement with LEDiL Oy.

SIZE	PART NUMBER
A4	C12362

SCALE	1:1	WEIGHT	6,1	SHEET	1/1
-------	-----	--------	-----	-------	-----

D

A

1