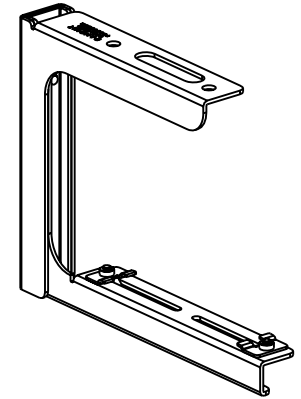


| PANDUIT PART NUMBER | WEIGHT |
|-----------------------|------------------------------|
| FR6ACB58 FR6ACB58M | 3.54 LB/EACH (1606g/EACH) |



NOTES:

- SEE CURRENT CATALOG FOR ADDITIONAL PART SUFFIXES TO INDICATE PACKAGE QUANTITY.
- THE FIBERRUNNER 4x4 AND 6x4 QUIKLOCK ADJUSTABLE "C" BRACKET IS USED TO SUPPORT THE FIBERRUNNER 4x4 AND 6x4 CABLE ROUTING SYSTEMS FROM A SECTION OF NEW 5/8" (M16) THREADED ROD (NOT INCLUDED) OR CAN BE DIRECTLY MOUNTED TO THE CEILING.
- THE FIBERRUNNER 4x4 AND 6x4 QUIKLOCK ADJUSTABLE "C" BRACKET INCLUDES:
ONE (1) BRACKET ASSEMBLY,
TWO (2) 5/8-11 HEAVY HEX NUTS (FR6ACB58 ONLY),
TWO (2) M16x2 HEX NUTS (FR6ACB58M ONLY),
TWO (2) 5/8 HELICAL SPRING LOCKWASHERS
- FINISH COLOR: BLACK (EXCEPT HARDWARE)
- DIMENSIONS IN PARENTHESES ARE IN METRIC.



ENG. REF.: D38022BY_DC_FR6ACB58_01.prt

CAD FILENAME/LAYERS

B FR6ACB58.pdf

PANDUIT CORP TINLEY PARK, ILLINOIS
 FIBERRUNNER 4x4 AND 6x4 QUIKLOCK
 ADJUSTABLE "C" BRACKET - 5/8" (M16)
C THREADED ROD (FR6ACB58, FR6ACB58M)
 CUSTOMER DRAWING

UNLESS OTHERWISE SPECIFIED,
 DIMENSIONAL TOLERANCES ARE:

(.X) ± (.XXX) ±
 (.XX) ± .03 (.8) ANGLES ±

UNLESS OTHERWISE SPECIFIED,
 ALL DIMENSIONS ARE GIVEN IN
 INCHES, THIRD ANGLE PROJECTION.

DRAWN BY

MAT'L:

JHNU

STEEL

DATE

5-24-01

SCALE

NONE

CHK'D

HIW

DRAWING NO.

38022-30

DWG

A

SIZE

| REV | DATE | BY | CHK | DESCRIPTION | ECN | R | CUST | SUP | GMBH |
|-----|--------|-----|-----|--|----------|----|------|-----|------|
| - | ----- | --- | -- | E. REVISED GENERAL NOTES. | ----- | -- | -- | | |
| - | ----- | --- | -- | D. REVISED PART WEIGHT. C. REVISED DRAWING TITLE. | ----- | -- | -- | | |
| 1 | 1-3-07 | MSO | RN | B. REVISED CAD FILENAME. A. REVISED AND REDRAWN. | 38022-30 | RN | RN | | |