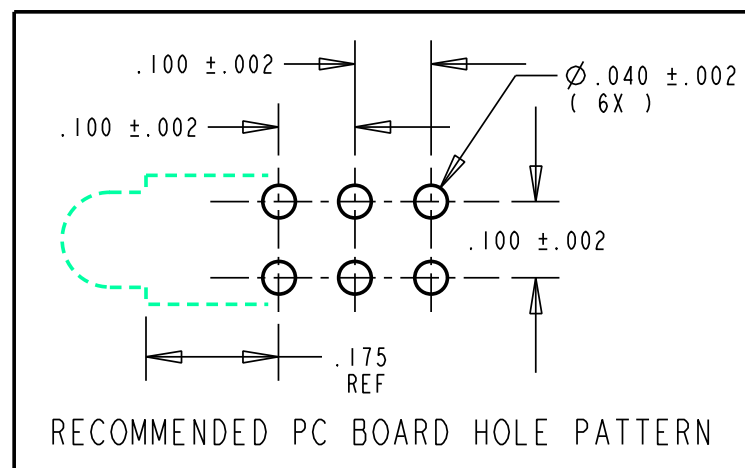
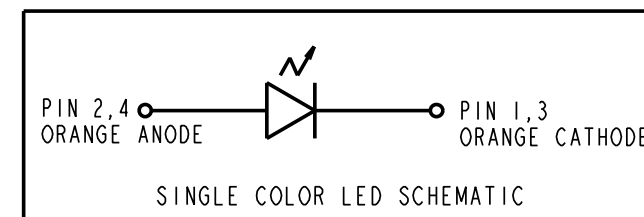
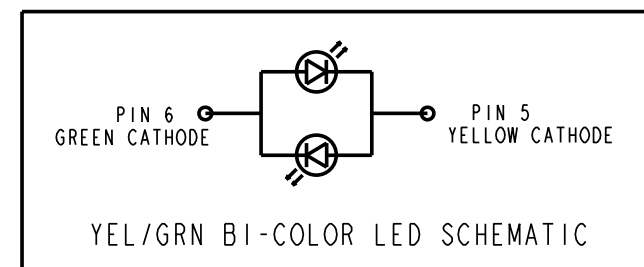
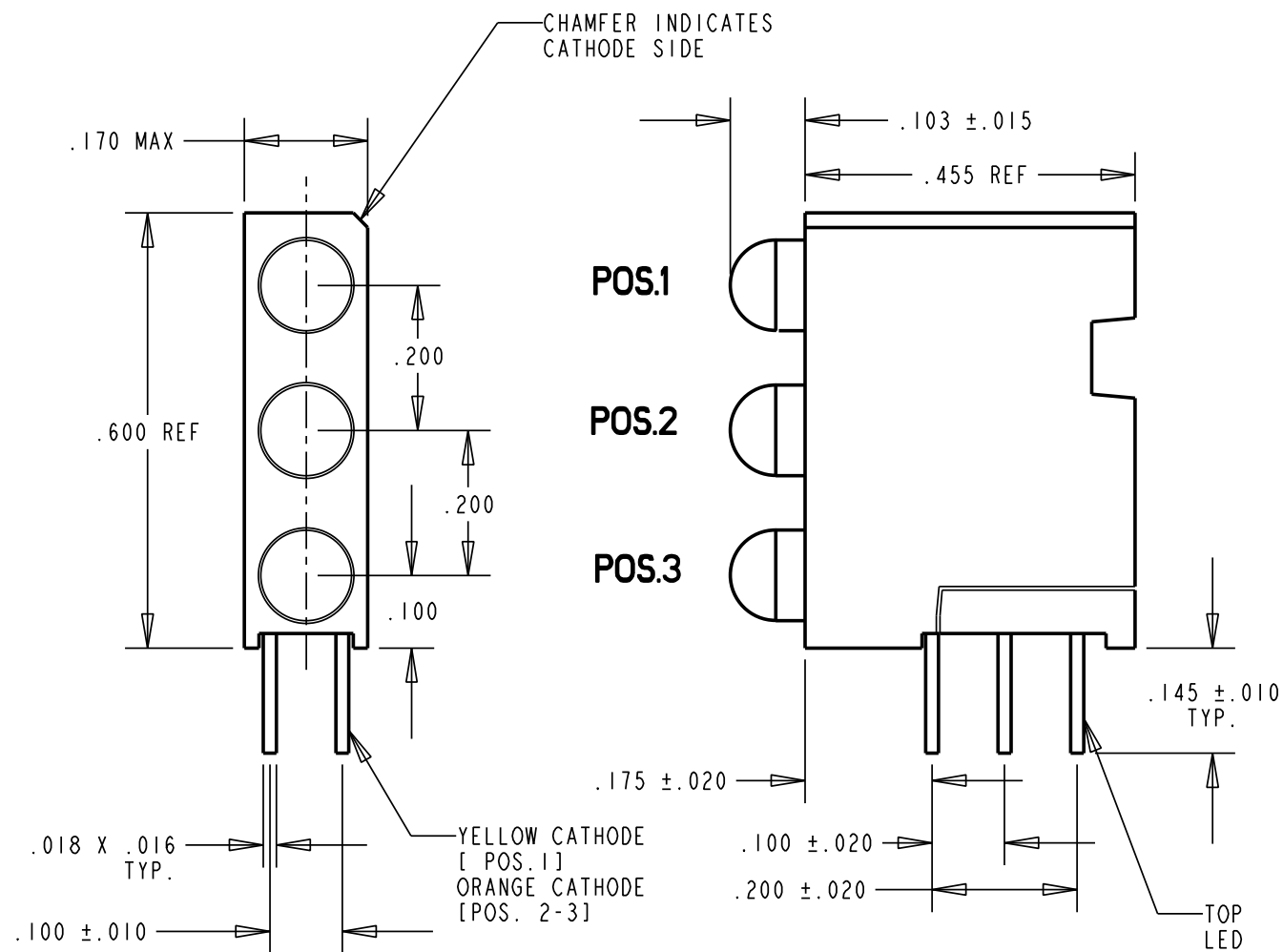
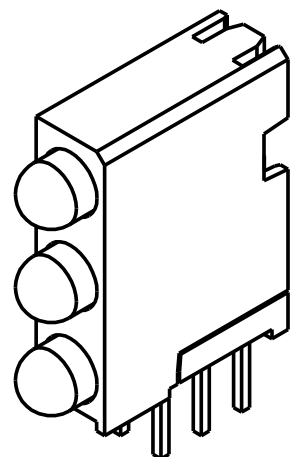


PART NUMBER and LEGEND	LED COLOR		
	POSITION 1	POSITION 2	POSITION 3
	564-0700-821F	YELLOW / GREEN	ORANGE DIFFUSED

REV	ECN NO	REVISIONS	DRN	CKD	APP	DATE
A		NEW RELEASE	SM			



NOTES:

- LEADS TO FIT INTO HOLES SPACED AS PER HOLE PATTERN
- PIN NUMBERS FOR REFERENCE ONLY, DESIGNATION NON-EXISTENT ON PARTS.
- LEADS TO BE FREE OF DEFORMATION AFTER BENDING AND CUTTING
- LED LEAD DIMENSIONS SHOWN ARE MEASURED AT HOUSING EXIT
- DIALIGHT PART NUMBER: 564-0700-821F
- THIS ASSEMBLY CONTAINS ELECTROSTATIC DISCHARGE SENSITIVE DEVICES (ESDS). MAINTAIN ALL PRECAUTIONARY MEASURES DURING ASSEMBLY, HANDLING AND STORAGE IN ACCORDANCE WITH IPC-A-610.

OPERATING CHARACTERISTICS AT T_A = 25°C

SYMBOL	PARAMETER	COLOR	MIN	TYP	MAX	UNITS	TEST COND.
V _F	FORWARD VOLTAGE	ORANGE	1.5	1.9	2.4	V	I _F = 20 mA
		GREEN		2.1	2.8		
		YELLOW		2.1	2.8		
I _R	REVERSE CURRENT	ORANGE			100	μA	V _R = 5 V
		GREEN			100		
		YELLOW			100		
λ _{PEAK}	PEAK WAVELENGTH	ORANGE		600		nm	MEASURED AT PEAK
		GREEN		565			
		YELLOW		585			
I _V	LUMINOUS INTENSITY	ORANGE	3.4	7.0		mcd	I _F = 10 mA
		GREEN	2.5	6.3			
		YELLOW	2.5	4.3			
	CAPACITANCE	ORANGE		4		pF	V _R = 0V, f = 1MHz
		GREEN		35			
		YELLOW		15			



ATTENTION:
OBSERVE PRECAUTIONS FOR
HANDLING ELECTROSTATIC
SENSITIVE DEVICES

ABSOLUTE MAXIMUM RATINGS AT 25°C	ORANGE	GREEN	YELLOW	UNITS
POWER DISSIPATION	135	100	60	mW
DERATE LINEARLY FROM 50°C	0.5	0.4	0.25	mA/°C
CONTINUOUS FORWARD CURRENT	25	30	20	mA
PEAK FORWARD CURRENT	90	120	80	mA
REVERSE VOLTAGE	5	5	5	V
LEAD SOLDERING TEMPERATURE, 5 SEC., 1/16" FROM BODY	260			°C
OPERATING AND STORAGE TEMPERATURE	-55 TO +100			°C

RoHS Compliant 564-0700-821F
Part Numbers with the "F" suffix ending are RoHS Compliant.
Packaging is marked with "RoHS Compliant" label or equivalent markings.
Parts can be wave soldered, dip soldered or hand soldered using typical lead-free soldering process with max 260°C temp. for 5 sec.

THIS DRAWING AND THE CONTENTS HEREIN ARE CONFIDENTIAL AND THE SOLE PROPERTY OF DIALIGHT. REPRODUCTION OF THIS DRAWING OR CONSTRUCTION OF ANY PARTS WITHIN THIS DRAWING ARE FORBIDDEN WITHOUT THE WRITTEN CONSENT OF DIALIGHT.		
SCALE: 4:1	DRAWING NUMBER	REV
ALL DIM'S IN: INCHES (MM)	C-17520	A
TOLERANCES: UNLESS OTHERWISE SPECIFIED	TITLE STANDARD 3X1 CBI BLOCK Y/G,O,O RoHS COMPLAINT	
FRACTIONS: ±1/64	MATERIAL	
DECIMALS (.XX): ±.02	FINISH:	
DECIMALS (.XXX): ±.015	Dialight	
DECIMALS (.XXXX): ±.0005	1501 ROUTE 34 SOUTH FARMINGDALE, NJ 07727	
ANGLES: ±1°	FSCM 83330	SHEET 1 OF 1 FAMILY TABLE: