

SOLENOID PRODUCT SPECIFICATION

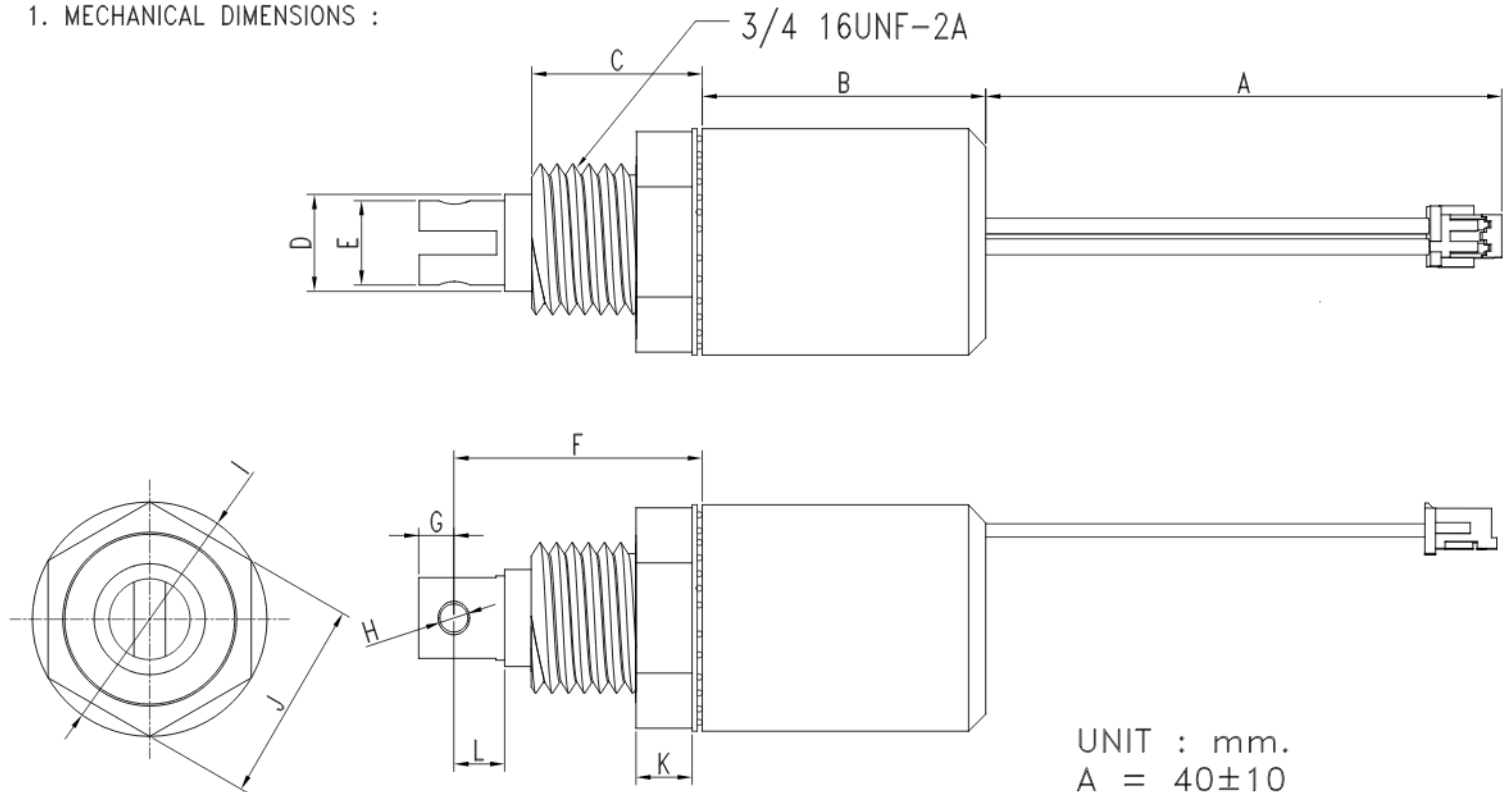
PART No.	VOLTAGE	DUTY CYCLE	POWER (W)	CURRENT (A)	DCR (Ω)*
DSTL-0829-24	24 VDC	100%	76	3.2	7.5
DSTL-0829-18	18 VDC	100%	72	4	4.5
DSTL-0829-12	12 VDC	100%	72	6	2
DSTL-0829-09	9 VDC	100%	73	8.2	1.1
DSTL-0829-05	5 VDC	100%	70	13.8	0.36

* OPERATION: POWER TO PULL

* DCR VALUES ARE ±10% AT 25°C

* WEIGHT ARE 102 GRAMS ±10%

1. MECHANICAL DIMENSIONS :



Connector : TYCO
 HOUSING : AMP 179228-2
 CONTACT PIN : AMP 179227-1
 CABLE : AWG 24 UL 1007

- UNIT : mm.
- A = 40±10
 - B = 29.0 MAX.
 - C = 9.5±0.3
 - D = $\varnothing 11.1 \pm 0.05$
 - E = 7.8±0.1
 - F = 19.05±0.5
 - G = 4.8±0.3
 - H = $\varnothing 2.4 \pm 0.1$
 - I = $\varnothing 25.4$ REF.
 - J = 22.20 REF.
 - K = 4.0±0.5
 - L = 3.5 REF.



INSULATION MATERIALS: UL CONSTRUCTION, CLASS B 130°C
 LIFE EXPECTANCY: 100K CYCLES OPERATIONS

LAYER TEST	IR. @500 Vdc.	HI-POT
(S-F) : 2KVp. MIN.	COIL TO CASE	@50/60Hz.,2mA
TEST ONLY COIL	30 MOHM MIN.	COIL TO CASE
		1048Vac.,60s