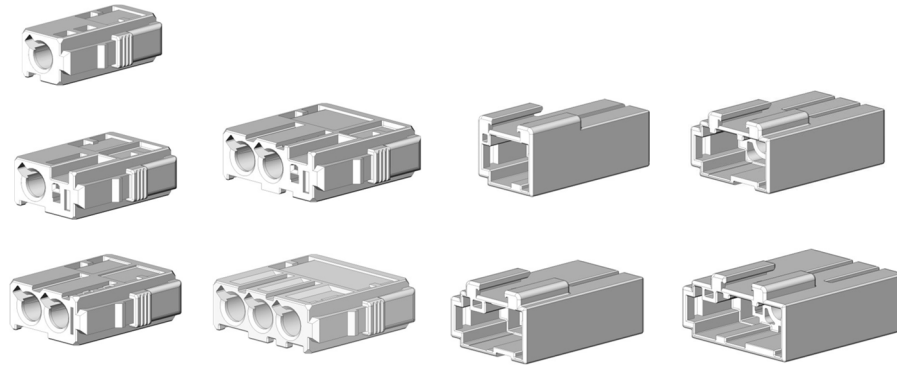


## Part Change Notice: CE2\*\*\*\*Z0\* Female and Male Connector Abolition of Plastic Bag Packaging



Currently, when packing CE2\*\*\*\*Z00 female connectors and male relays, each bundle is packed in a plastic bag. However, we have decided to discontinue plastic bag packaging as we no longer see the value in this method, and there is no difference to the connector's performance without it.

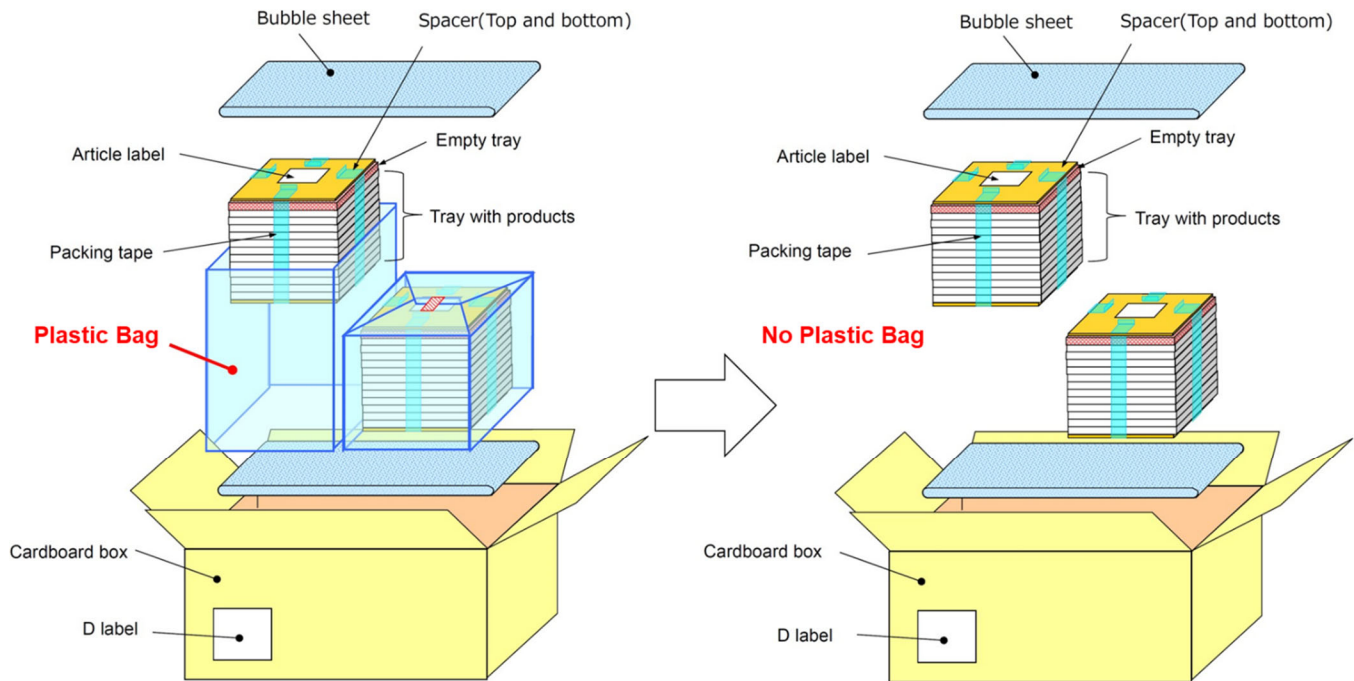
### 1. Applicable Product(s)

See applicable items below:

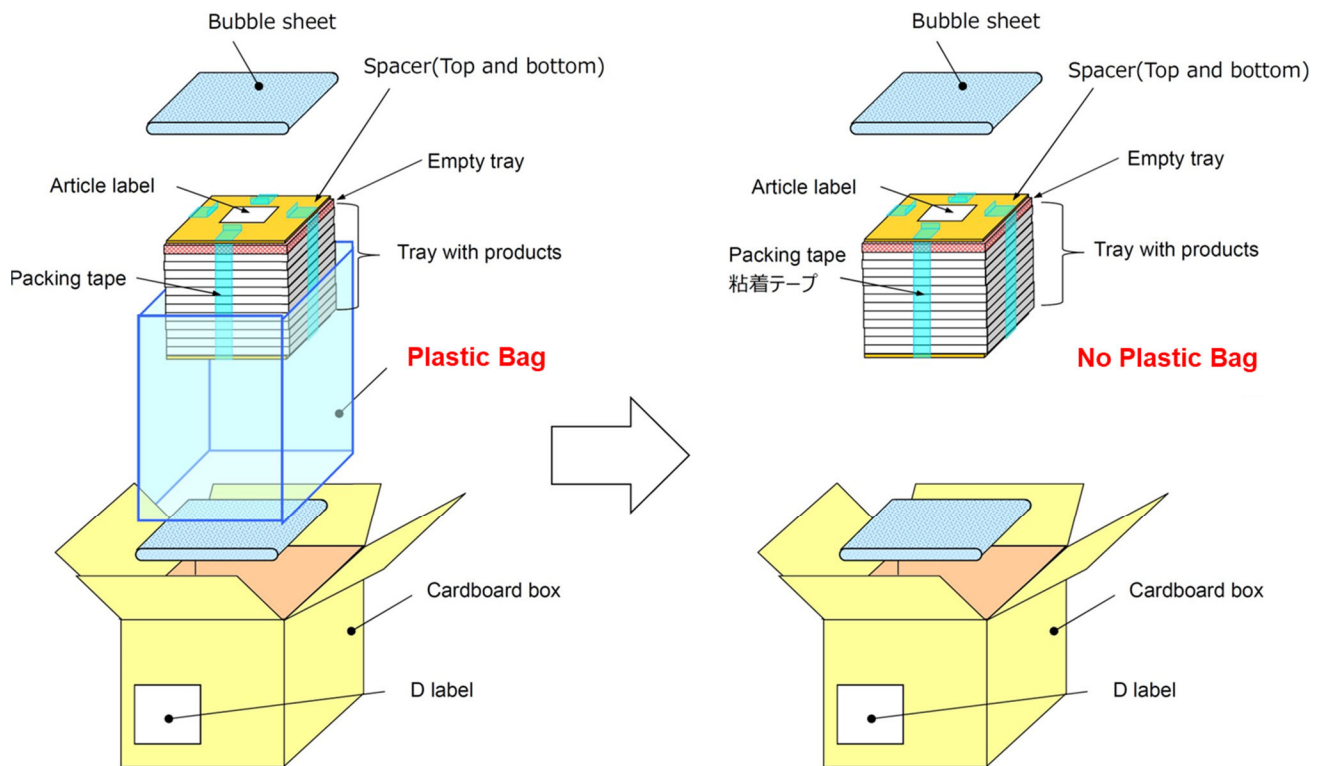
Product Name	Packaging Number of Outer Package Box
CE2A101Z00	2280 pcs / box
CE2A201Z00	2280 pcs / box
CE2G101Z00	2496 pcs / box
CE2A211Z00	1932 pcs / box
CE2G211Z00	1536 pcs / box
CE2A111Z00	2484 pcs / box
CE2G111Z00	1920 pcs / box
CE2G111Z01	960pcs / box
CE2A111Z01	1680pcs / box
CE2G201Z00	1800 pcs / box
CE2A102Z00	2280 pcs / box
CE2A112Z00	2484 pcs / box
CE2A202Z00	2280 pcs / box
CE2G202Z00	1800 pcs / box
CE2G102Z00	2496 pcs / box
CE2A301Z00	1824 pcs / box

## 2. Change

### Type 1



### Type 2



### 3. Schedule

The deadline date for any documentation requests is [February 16, 2023](#).

If you have any questions regarding this matter, please contact your JAE account manager.  
Thank you for your cooperation.

