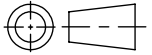
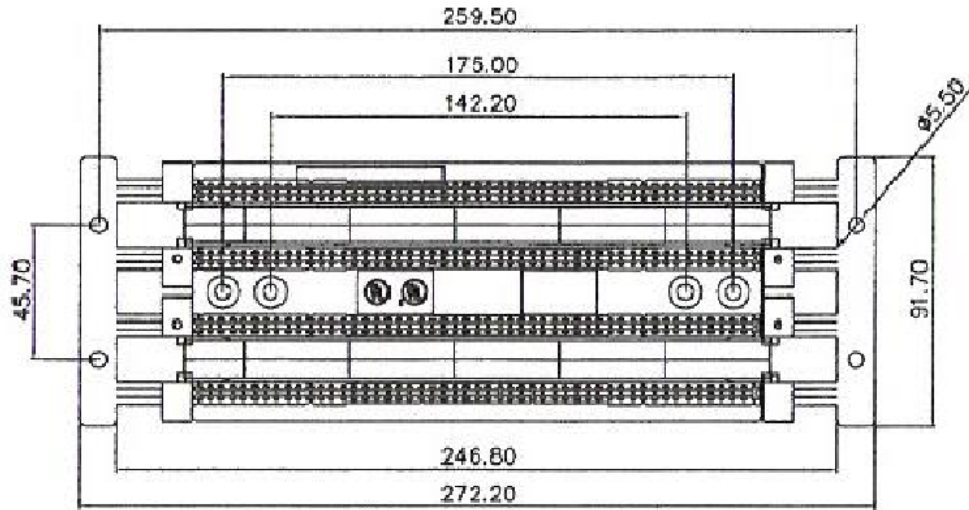


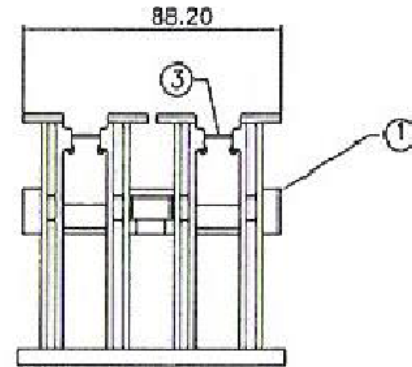
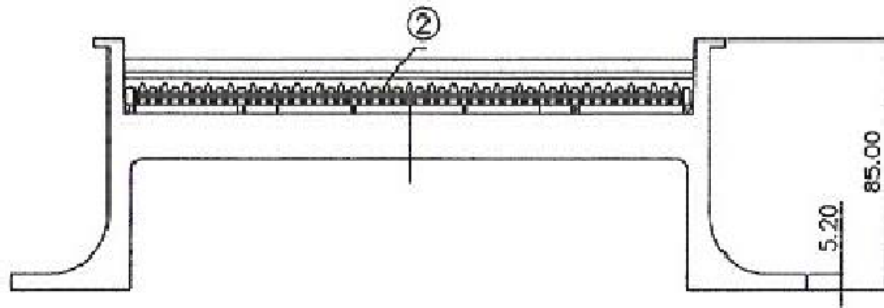
SW2014



Revision level			Revision Record	Changed	Date	Approved	Date
Drawing	State	Part					
A.0	In Work		SEE ECN# 013160	SNH	6/19/2015	KAC	6/19/2015



ITEM	PARTS DESCRIPTION	QTY	P/N
1	100 PR BASE WITH LEG	1	110AWB-100
2	DESI STRIP-WHITE	2	110PS
3	INDEX HOLDER	2	110PH



Material	Units: millimeters	<p>The copyright of this drawing is reserved by HellermannTyton. It is issued on condition that it is not reproduced, copied, or disclosed to a third party, either wholly or in part, without the consent of HellermannTyton.</p>	Drawn	SNH	6/19/2015	Article/Type-No	T110WBL100	Scale	1:1
	Dimension without tolerances details to: .XXX = ±.013 .XX = ±.13 .X = ±.3 None = ±.8 < = ±0.5° Dimension Formatted mm/[in]		Approved	KAC	6/19/2015	Title	CATEGORY 5e 100 PAIR 110 WIRING BLOCK WITH LEGS	Project Number	PRP 15-0385
	<p style="text-align: center;">HellermannTyton</p> North America Email: corp@htamericas.com Web: www.hellermann.tyton.com			Drawing-No		: Phase	Format	AH	
				<p style="text-align: center;">15-0385-001-CSU</p>			Sheet	1/1	