

Sound Processor for Car Audio with Built-in High-Voltage Amplifier and 2nd Order Post Filter

BD37069FV-M

General Description

BD37069FV-M is a sound processor developed for car audio with built-in selector of six stereo inputs and output interfaced to ADC after adjusting signal level. BD37069FV-M has a 6-channel volume circuit and built-in 2nd order post filter which reduces the out-of-band noise. The High-Voltage function is capable to reach up to 5.2V_{RMS} maximum output. Furthermore, the IC is simple to design due to the built-in TDMA noise reduction systems.

Features

- AEC-Q100 Qualified (Note1)
- Built-in differential input selector that can select single-ended / differential input
- Reduce switching pop noise of input gain control due to the built-in advanced switch circuit
- Less out-of-band noise of DAC by built-in 2nd order post filter
- Built-in buffered ground isolation amplifier to achieve high CMRR characteristics
- Built-in TDMA noise reduction circuit reduces the additional components for external filter
- Available to output 5.2V_{RMS} by High-Voltage function (This device is possible to 3.2V_{RMS} output by using another High-Voltage mode, VCCH=11.5V)
- Available to control by 3.3V / 5V for I²C-bus controller
- The input and output terminals are located together to arrange the flow of signal in a same direction making the PCB layout easier and PCB area smaller

(Note 1) Grade 3

Key Specifications (Note2)

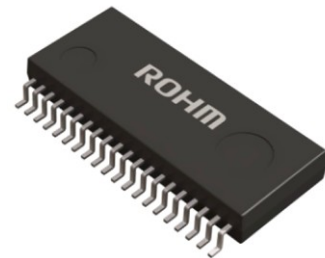
■ Total Harmonic Distortion:	0.003%(Typ)
■ Maximum Input Voltage:	2.1V _{RMS} (Typ)
■ Common Mode Rejection Ratio :	55dB(Min)
■ Maximum Output Voltage:	5.2V _{RMS} (Typ)
■ Output Noise Voltage:	23μV _{RMS} (Typ)
■ Residual Output Noise Voltage:	10.5μV _{RMS} (Typ)
■ Ripple Rejection Ratio:	-70dB (Typ)
■ Operating Temperature Range:	-40°C to +85°C

(Note2)These specifications are High-Voltage mode2.

Package

SSOP-B40

W(Typ) x D(Typ) x H(Max)
13.60mm x 7.80mm x 2.00mm



Applications

Car Audio and Other Audio Equipment

Typical Application Circuit

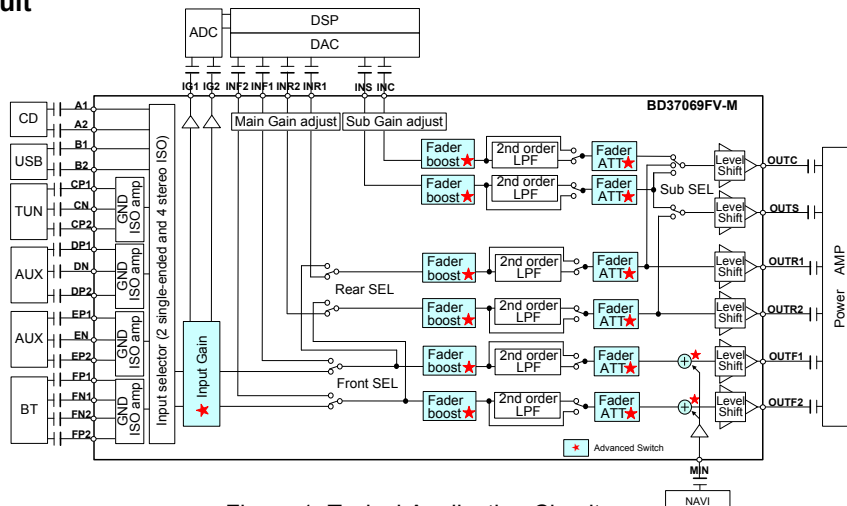


Figure 1. Typical Application Circuit

Contents

General Description 1

Features 1

Key Specifications^(Note2) 1

Package 1

Applications 1

Typical Application Circuit 1

Contents 2

Pin Configuration 3

Pin Descriptions 3

Block Diagram 4

Absolute Maximum Ratings (Ta=25°C) 5

Thermal Resistance^(Note 1) 5

Recommended Operating Condition 5

Electrical Characteristics 6

Typical Performance Curve(s) 9

I²C-bus CONTROL SIGNAL SPECIFICATION 11

 (1) Electrical specifications and timing for bus lines and I/O stages 11

 (2) I²C-bus FORMAT 12

 (3) I²C-bus Interface Protocol 12

 (4) Slave address 12

 (5) Select Address & Data 13

 (6) About power on reset 21

 (7) About start-up and power off sequence on IC 21

 (8) About relations of power supply voltage and the DC-bias voltage 22

About advanced switch circuit 23

Application Example 28

I/O Equivalence Circuit 29

Application Information 31

 1) Absolute maximum rating voltage 31

 2) About a signal input part 31

 3) About output load characteristics 31

 4) About HIVOLB terminal(20pin) when power supply is off 32

 5) About signal input terminals 32

 6) About changing gain of Input Gain and Fader Volume 32

 7) About inter-pin short to VCCH 32

Operational Notes 33

 1. Reverse Connection of Power Supply 33

 2. Power Supply Lines 33

 3. Ground Voltage 33

 4. Ground Wiring Pattern 33

 5. Thermal Consideration 33

 6. Recommended Operating Conditions 33

 7. Inrush Current 33

 8. Operation Under Strong Electromagnetic Field 33

 9. Testing on Application Boards 33

 10. Inter-pin Short and Mounting Errors 34

 11. Unused Input Pins 34

 12. Regarding the Input Pin of the IC 34

Ordering Information 35

Marking Diagram 35

Physical Dimension, Tape and Reel Information 36

Revision History 37

Block Diagram

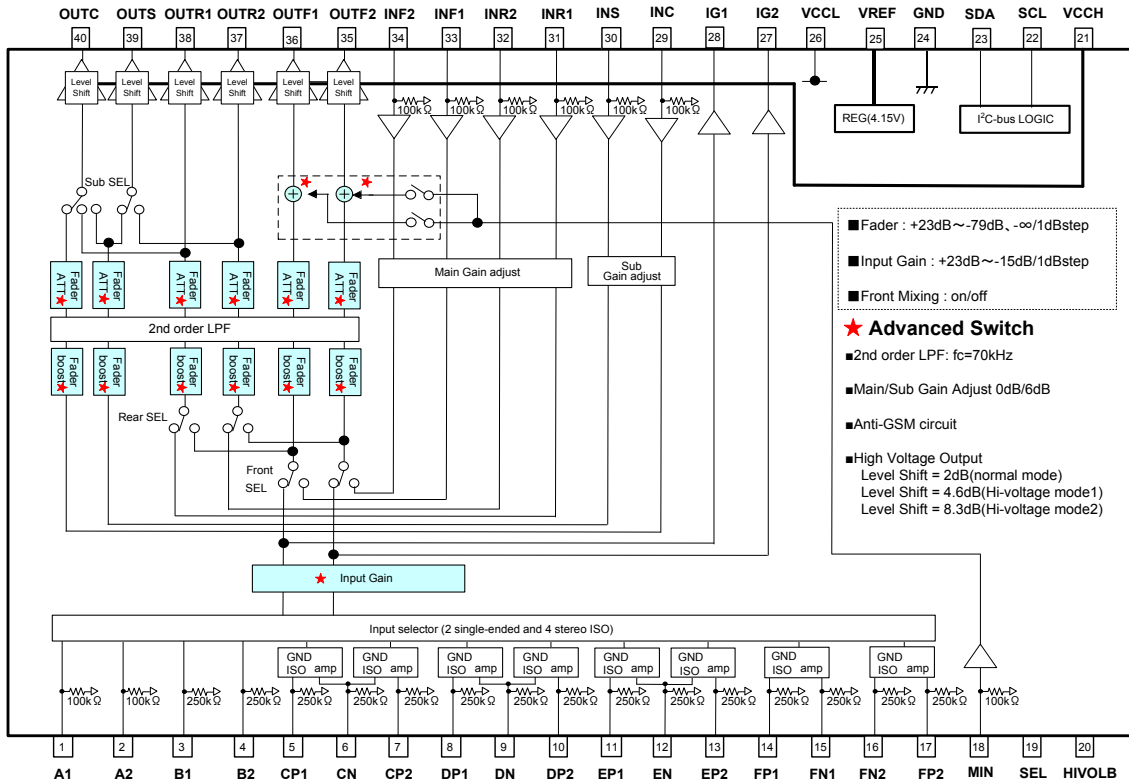


Figure 3. Block Diagram

- The outputs of Pin 27 and Pin 28 are selected by the input selector, from the inputs Pin 1 to Pin 17. Otherwise, these signals are possible to output directly on Pin 35 to Pin 40.
- 6-channel input signals from DSP on Pin 29 to Pin 34 pass through the volume circuit (Fader) and 2nd order post filter to the output terminals Pin 35 to Pin 40 .
- It is possible for 6-channel inputs to set the gain up to +6dB by Gain adjust function and to set the gain up to +8.3dB by Level Shift Circuit (High-Voltage Mode).

Absolute Maximum Ratings (Ta=25°C)

Parameter	Symbol	Rating	Unit
Power Supply Voltage	V _{CCL}	10	V
	V _{CCH}	18	V
Input Voltage	V _{IN}	SCL, SDA Other	GND-0.3 to +7 GND-0.3 to V _{CCL} +0.3
Storage Temperature	T _{STG}	-55 to +150	°C
Maximum Junction Temperature	T _{JMAX}	+150	°C

Caution: Operating the IC over the absolute maximum ratings may damage the IC. The damage can either be a short circuit between pins or an open circuit between pins and the internal circuitry. Therefore, it is important to consider circuit protection measures, such as adding a fuse, in case the IC is operated over the absolute maximum ratings.

Thermal Resistance ^(Note 1)

Parameter	Symbol	Thermal Resistance (Typ)		Unit
		1s ^(Note 3)	2s2p ^(Note 4)	
SSOP-B40				
Junction to Ambient	θ _{JA}	103.6	58.8	°C/W
Junction to Top Characterization Parameter ^(Note 2)	Ψ _{JT}	17	10	°C/W

(Note 1)Based on JESD51-2A(Still-Air)

(Note 2)The thermal characterization parameter to report the difference between junction temperature and the temperature at the top center of the outside surface of the component package.

(Note 3)Using a PCB board based on JESD51-3.

(Note 4)Using a PCB board based on JESD51-7

Layer Number of Measurement Board	Material	Board Size
Single	FR-4	114.3mm x 76.2mm x 1.6mmt

Top	
Copper Pattern	Thickness
Footprints and Traces	70µm

Layer Number of Measurement Board	Material	Board Size
4 Layers	FR-4	114.3mm x 76.2mm x 1.6mmt

Top		2 Internal Layers		Bottom	
Copper Pattern	Thickness	Copper Pattern	Thickness	Copper Pattern	Thickness
Footprints and Traces	70µm	74.2mm x 74.2mm	35µm	74.2mm x 74.2mm	70µm

Recommended Operating Condition (Ta= -40°C to +85°C)

Parameter	Symbol	Min	Typ	Max	Unit
Power Supply Voltage	V _{CCL}	7.0	9	9.5	V
	V _{CCH}	V _{CCL}	17	17.8	V

Electrical Characteristics

Unless otherwise specified, $T_a=25^\circ\text{C}$, $V_{CC1}=9\text{V}$, $V_{CC2}=17\text{V}$, $f=1\text{kHz}$, $V_{IN}=1V_{RMS}$, $R_L=10k\Omega$,
 Input selector A, Input Gain 0dB, Gain Adjust +6dB, High-Voltage ON (High-Voltage mode2), LPF ON, Fader 0dB,
 Input point=A1/A2, Monitor point=IG1/IG2

Block	Parameter	Symbol	Limit			Unit	Conditions
			Min	Typ	Max		
General	Current Consumption (VCCL)	I_{Q_VCCL}	-	30	43	mA	No signal
	Current Consumption (VCCH)	I_{Q_VCCH}	-	7	10	mA	No signal
Input Selector	Input Impedance (A)	R_{IN_S}	70	100	130	k Ω	
	Input Impedance (B, C, D, E, F)	R_{IN_D}	175	250	325	k Ω	
	Voltage Gain	G_V	-1.5	0	1.5	dB	$G_V = 20\log(V_{OUT}/V_{IN})$
	Channel Balance	CB	-1.5	0	1.5	dB	$CB = G_{V1} - G_{V2}$
	Total Harmonic Distortion	THD+N	-	0.003	0.05	%	$V_{OUT} = 1V_{RMS}$ BW = 400-30kHz
	Output Noise Voltage ^(Note1)	V_{NO1}	-	3.1	8.0	μV_{RMS}	$R_G = 0\Omega$ BW = IHF-A
	Maximum Input Voltage	V_{IM}	2.0	2.2	-	V_{RMS}	V_{IM} at THD+N(V_{OUT}) = 1% BW = 400-30kHz
	Crosstalk Between Channels ^(Note1)	CTC	-	-100	-90	dB	$R_G = 0\Omega$ $CTC = 20\log(V_{OUT}/V_{OUT'})$ BW = IHF-A
	Crosstalk Between Selectors ^(Note1)	CTS	-	-100	-90	dB	$R_G = 0\Omega$ $CTS = 20\log(V_{OUT}/V_{OUT'})$ BW = IHF-A
Common Mode Rejection Ratio (C, D, E, F) ^(Note1)	CMRR	55	65	-	dB	XP1 and XN input XP2 and XN input $CMRR = 20\log(V_{IN}/V_{OUT})$ BW = IHF-A, [X=C,D,E,F]	
Input Gain	Minimum Input Gain	G_{IN_MIN}	-17	-15	-13	dB	Input Gain = -15dB $V_{IN} = 0.1V_{RMS}$ $G_{IN} = 20\log(V_{OUT}/V_{IN})$
	Maximum Input Gain	G_{IN_MAX}	21	23	25	dB	Input Gain = 23dB $V_{IN} = 0.1V_{RMS}$ $G_{IN} = 20\log(V_{OUT}/V_{IN})$
	Gain Set Error	G_{IN_ERR}	-2	0	+2	dB	Input Gain = -15 to +23dB
	Output Impedance	R_{OUT}	-	-	50	Ω	
	Maximum Output Voltage	V_{OM}	2.0	2.2	-	V_{RMS}	THD+N = 1% BW = 400-30kHz

(Note1) VP-9690A (Average value detection, effective value display) filter by Panasonic is used for measurement. Input and output are in-phase.

Unless otherwise specified, Ta=25°C, V_{CCL}=V_{CCH}=9V, f=1kHz, V_{IN}=0.9V_{RMS}, R_L=10kΩ, Input selector A, Input Gain 0dB, Gain Adjust +6dB, High-Voltage OFF(normal mode), LPF ON, Fader 0dB, Input point=INF1/INF2/INR1/INR2/INC/INS, Monitor point=OUTF1/OUTF2/OUTR1/OUTR2/OUTC/OUTS

Block	Parameter	Symbol	Limit			Unit	Conditions
			Min	Typ	Max		
Level Shift	Output Impedance	R _{OUT}	-	-	50	Ω	
	☆Maximum Output Voltage	V _{OM}	2.3	2.5	-	V _{RMS}	V _{IN} = 1V _{RMS} THD+N = 1% BW = 400-30kHz
	☆Output Gain	G _{H(OUT)}	0.5	2	3.5	dB	G _{H(OUT)} = 20log(V _{OUT} /V _{IN})

☆This Item is designated by ROHM only to discriminate between other items and it.

Unless otherwise specified, Ta=25°C, V_{CCL}=9V, V_{CCH}=11.5V, f=1kHz, V_{IN}=0.9V_{RMS}, R_L=10kΩ, Input selector A, Input Gain 0dB, Gain Adjust +6dB, High-Voltage ON(High-Voltage mode1), LPF ON, Fader 0dB, Input point=INF1/INF2/INR1/INR2/INC/INS, Monitor point=OUTF1/OUTF2/OUTR1/OUTR2/OUTC/OUTS

Block	Parameter	Symbol	Limit			Unit	Conditions
			Min	Typ	Max		
Level Shift	Output Impedance	R _{OUT}	-	-	50	Ω	
	☆Maximum Output Voltage	V _{OM}	3.2	3.4	-	V _{RMS}	V _{IN} =1V _{RMS} THD+N=1% BW=400-30kHz
	☆Output Gain	G _{H(OUT)}	2.6	4.6	6.6	dB	G _{H(OUT)} =20log(V _{OUT} /V _{IN})

☆This Item is designated by ROHM only to discriminate between other items and it.

Unless otherwise specified, Ta=25°C, V_{CCL}=9V, V_{CCH}=17V, f=1kHz, V_{IN}=0.9V_{RMS}, R_L=10kΩ, Input selector A, Input Gain 0dB, Gain Adjust +6dB, High-Voltage ON(High-Voltage mode2), LPF ON, Fader 0dB, Input point=INF1/INF2/INR1/INR2/INC/INS, Monitor point=OUTF1/OUTF2/OUTR1/OUTR2/OUTC/OUTS

Block	Parameter	Symbol	Limit			Unit	Conditions
			Min	Typ	Max		
Level Shift	Output Impedance	R _{OUT}	-	-	50	Ω	
	☆Maximum Output Voltage	V _{OM}	5.0	5.2	-	V _{RMS}	V _{IN} =1V _{RMS} THD+N=1% BW=400-30kHz
	☆Output Gain	G _{H(OUT)}	6.3	8.3	10.3	dB	G _{H(OUT)} =20log(V _{OUT} /V _{IN})

☆This Item is designated by ROHM only to discriminate between other items and it.

Unless otherwise specified, Ta=25°C, V_{CCL}=9V, V_{CCH}=17V, f=1kHz, V_{IN}=0.9V_{RMS}, R_L=10kΩ, Input selector A, Input Gain 0dB, Gain Adjust +6dB, High-Voltage ON(High-Voltage mode2), LPF ON, Fader 0dB, Input point=INF1/INF2/INR1/INR2/INC/INS, Monitor point=OUTF1/OUTF2/OUTR1/OUTR2/OUTC/OUTS

Block	Parameter	Symbol	Limit			Unit	Conditions
			Min	Typ	Max		
Fader	Maximum Boost Gain	G _{F BST}	21	23	25	dB	Fader Boost Gain = +23dB V _{IN} =0.1V _{RMS} G _F =20log(V _{OUT} /V _{IN})-G _{H(OUT)} Gain Adjust=0dB
	Channel Balance	CB	-1.5	0	1.5	dB	CB = GV1-GV2
	Total Harmonic Distortion	THD+N	—	0.003	0.05	%	BW=400-30kHz Gain Adjust = 0dB
	Output Noise Voltage ^(Note1)	V _{NO1}	—	23	40	μV _{RMS}	R _G = 0Ω BW = IHF-A
	Residual Output Noise Voltage ^(Note1)	V _{NOR}	—	10.5	20	μV _{RMS}	Fader Attenuation = -∞dB R _G = 0Ω BW = IHF-A
	Maximum Input Voltage	V _{IM}	2.0	2.1	—	V _{RMS}	V _{IM} at THD+N(V _{OUT})=1% BW=400-30kHz Gain Adjust = 0dB
	Crosstalk Between Channels ^(Note1)	CTC	—	-100	-90	dB	R _G = 0Ω CTC=20log(V _{OUT} /V _{OUT'}) BW = IHF-A
	Maximum Attenuation ^(Note1)	G _{F MIN}	—	-100	-90	dB	Fader Attenuation = -∞dB G _F =20log(V _{OUT} /V _{IN}) BW = IHF-A
	Gain Set Error	G _{F ERR}	-2	0	2	dB	Fader Boost Gain = +1 to +23dB
	Attenuation Set Error 1	G _{F ERR1}	-2	0	2	dB	Fader Attenuation = 0 to -15dB
	Attenuation Set Error 2	G _{F ERR2}	-3	0	3	dB	Fader Attenuation = -16 to -47dB
	Attenuation Set Error 3	G _{F ERR3}	-4	0	4	dB	Fader Attenuation = -48 to -79dB
Power Supply Rejection Ratio	RR _{VCCL}	—	-70	-40	dB	V _{RR} =0.1V _{RMS} f _{RR} =1kHz RR _{VCCL} =20log(V _{OUT} /V _{CCL})	
	RR _{VCCH}	—	-70	-40	dB	V _{RR} =0.1V _{RMS} f _{RR} =1kHz RR _{VCCH} =20log(V _{OUT} /V _{CCH})	
Mixing	Input Impedance	R _{IN_M}	70	100	130	kΩ	
	Maximum Input Voltage	V _{IM_M}	2.0	2.2	-	V _{RMS}	V _{IM_M} at THD+N(V _{OUT})=1% BW=400-30kHz Input point=MIN
	Maximum Attenuation ^(Note1)	G _{MX MIN}	-	-100	-85	dB	Front Mixing=OFF G _{MX} =20log(V _{OUT} /V _{IN}) BW=IHF-A Input point=MIN
	Mixing Gain	G _{MX}	-2	0	2	dB	Front Mixing=ON G _{MX} =20log(V _{OUT} /V _{IN})- G _{H(OUT)}
Gain Adjust	Input Impedance	R _{IN_M}	70	100	130	kΩ	
	Boost Gain	G _{F BST}	4	6	8	dB	Gain Adjust=6dB V _{IN} =0.1V _{RMS} G _F =20log(V _{OUT} /V _{IN})- G _{H(OUT)}
	Channel Balance	CB	-1.5	0	1.5	dB	CB = GV1-GV2

(Note1) VP-9690A (Average value detection, effective value display) filter by Panasonic is used for measurement. Input and output are in-phase.

Typical Performance Curve(s)

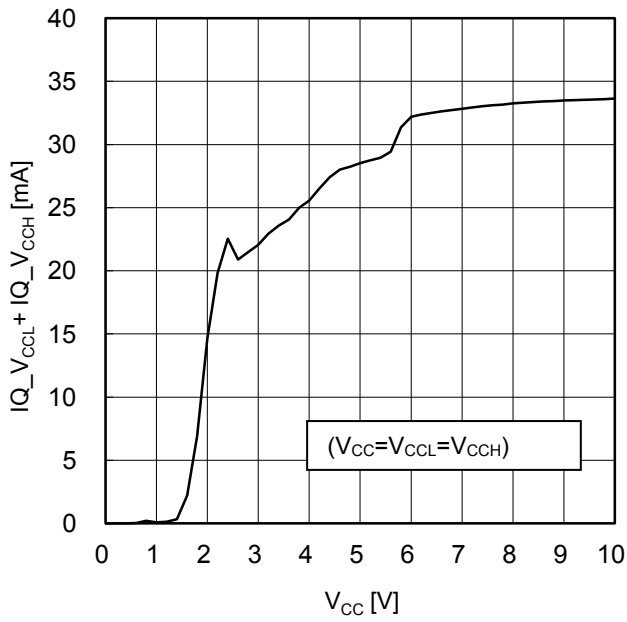


Figure 4. V_{CC} vs. $I_{Q_V_{CCL}}+I_{Q_V_{CCH}}$

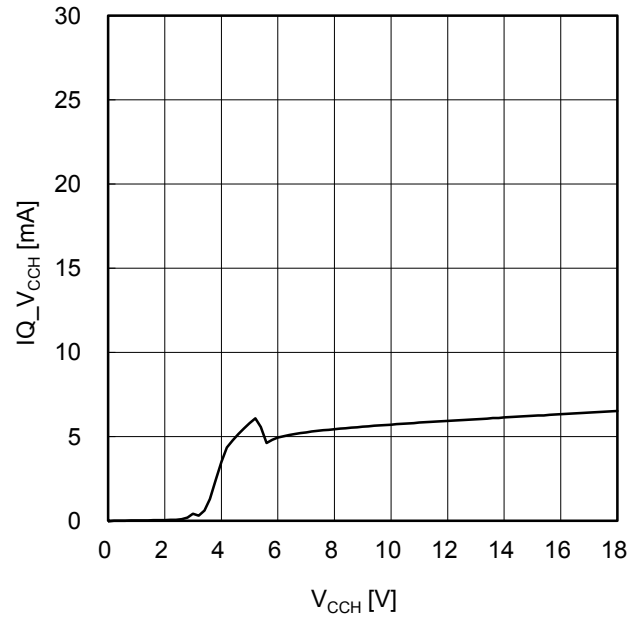


Figure 5. V_{CCH} vs. $I_{Q_V_{CCH}}$ (High-Voltage mode)

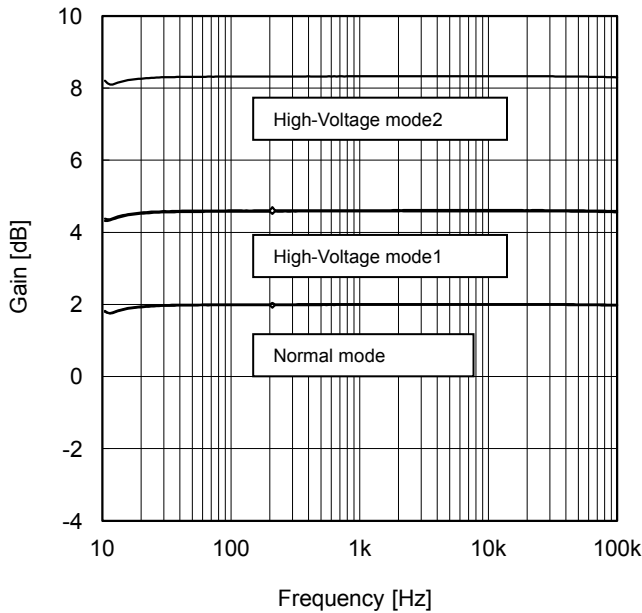


Figure 6. Gain vs. frequency (Normal / High-Voltage mode)

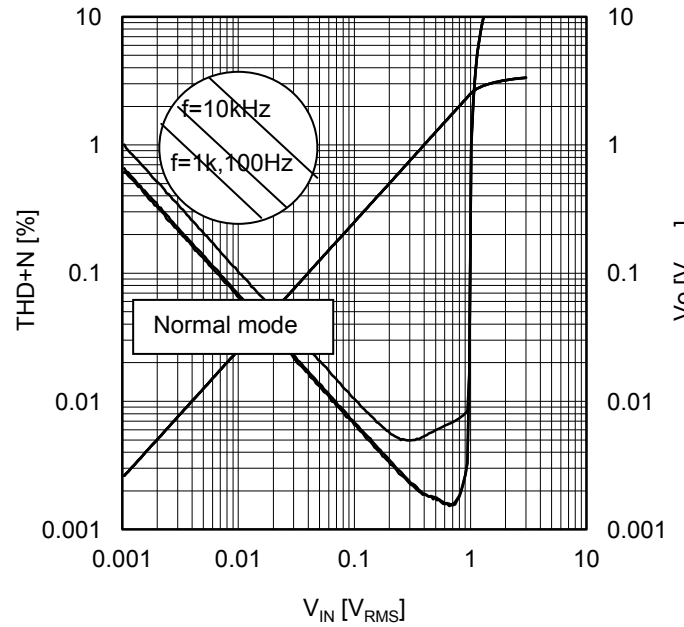


Figure 7. THD+N vs. V_{IN} / V_o (Gain Adjust=+6dB)

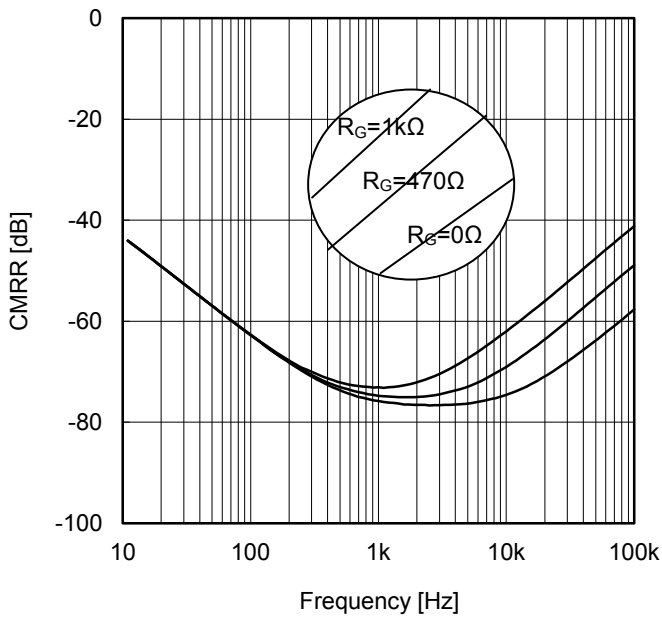


Figure 8. CMRR vs. frequency

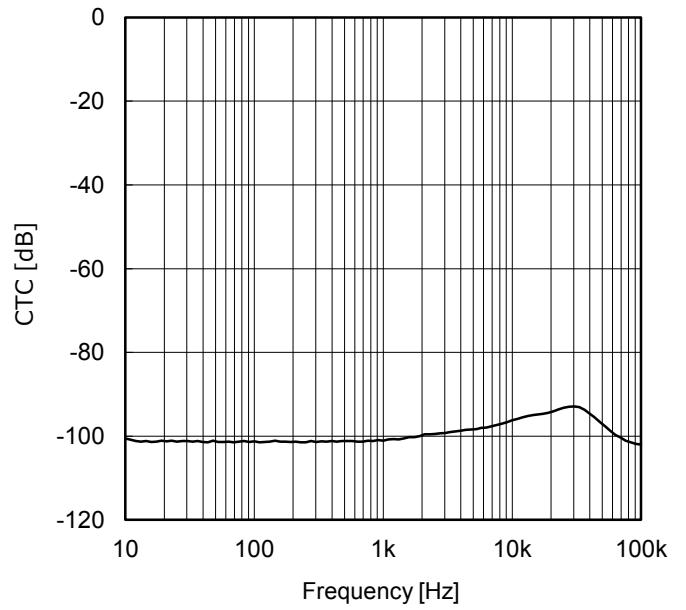


Figure 9. Crosstalk (between Channels) vs. frequency

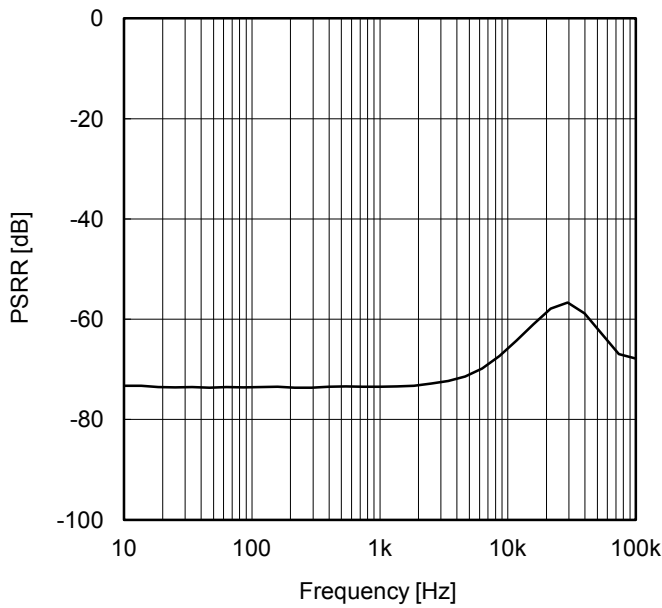


Figure 10. PSRR vs. frequency

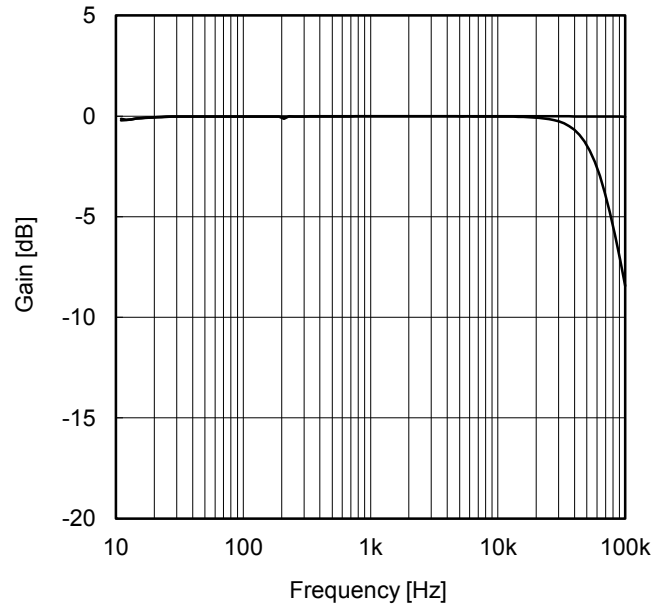


Figure 11. Gain(LPF ON/pass) vs. frequency

I²C-bus CONTROL SIGNAL SPECIFICATION

(1) Electrical specifications and timing for bus lines and I/O stages

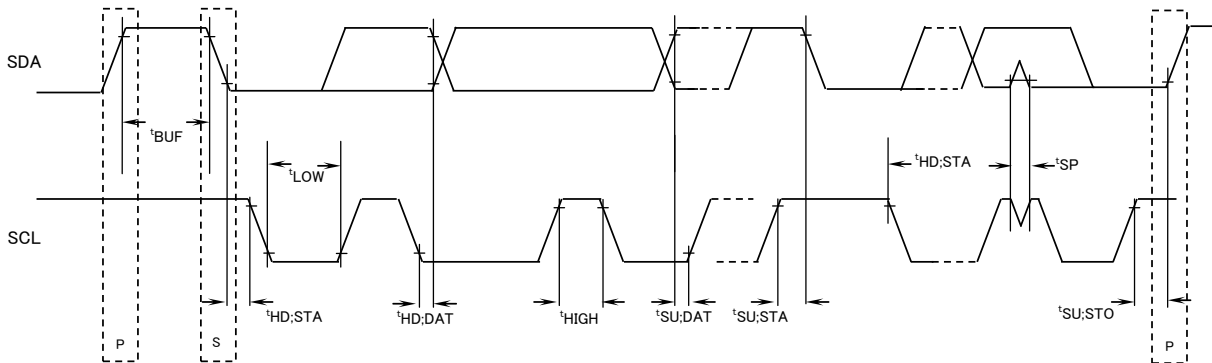


Figure 12. Definition of Timing on the I²C-bus

Table 1 Characteristics of the SDA and SCL bus lines for I²C-bus devices

Parameter	Symbol	Fast-mode I ² C-bus		Unit
		Min	Max	
1 SCL Clock Frequency	f_{SCL}	0	400	kHz
2 Bus Free Time between STOP and START Condition	t_{BUF}	1.3	—	μ sec
3 Hold Time (repeated) START condition. After this period, the first clock pulse is generated	$t_{HD;STA}$	0.6	—	μ sec
4 LOW Period of the SCL Clock	t_{LOW}	1.3	—	μ sec
5 HIGH Period of the SCL Clock	t_{HIGH}	0.6	—	μ sec
6 Set-up Time for a Repeated START Condition	$t_{SU;STA}$	0.6	—	μ sec
7 Data Hold Time	$t_{HD;DAT}$	0*	—	μ sec
8 Data Set-up Time	$t_{SU; DAT}$	100	—	nsec
9 Set-up Time for STOP Condition	$t_{SU;STO}$	0.6	—	μ sec

All values referred to V_{IH} min. and V_{IL} max. Levels (see Table 2).

Table 2 Characteristics of the SDA and SCL I/O stages for I²C-bus devices

Parameter	Symbol	Fast-mode I ² C-bus		Unit
		Min	Max	
10 LOW level input voltage: Fixed input levels	V_{IL}	-0.5	1	V
11 HIGH level input voltage: Fixed input levels	V_{IH}	2.3	-	V
12 Pulse width of spikes, which must be suppressed by the input filter.	t_{SP}	0	50	nsec
13 LOW level output voltage (open drain or open collector): At 3mA sink current	V_{OL1}	0	0.4	V
14 Input current each I/O pin with an input voltage between 0.4V and 0.9 VDD max.	I_I	-10	10	μ A

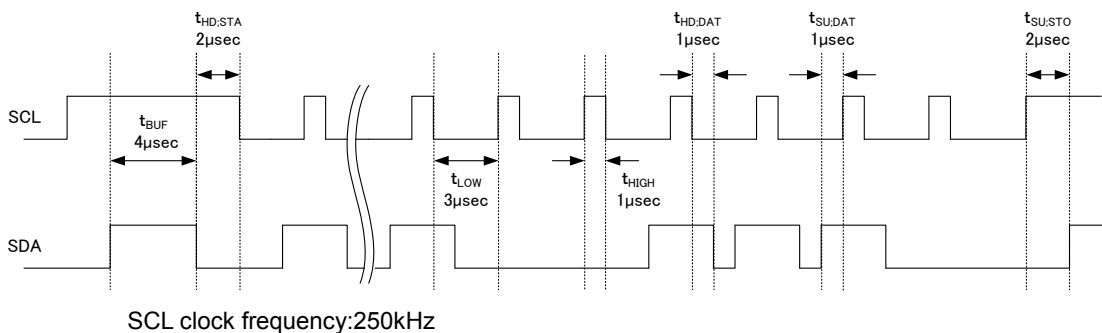
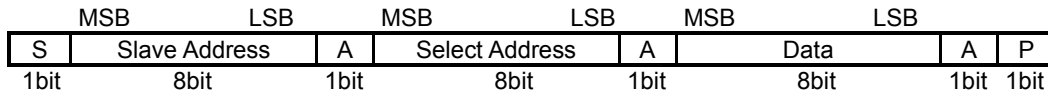


Figure 13. I²C-bus data transmission timing

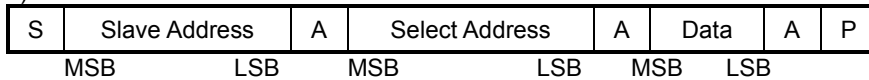
(2) I²C-bus FORMAT



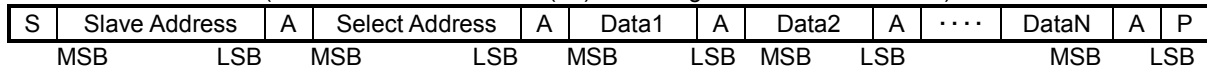
- S = Start condition (Recognition of start bit)
- Slave Address = Recognition of slave address. 7 bits in upper order are optional.
The least significant bit is "L" due to write format.
- A = ACKNOWLEDGE bit (Recognition of acknowledgement)
- Select Address = Selection of register that contain data on volume, bass and treble settings.
- Data = Data on every volume and tone to be stored in selected register.
- P = Stop condition (Recognition of stop bit)

(3) I²C-bus Interface Protocol

1) Basic form

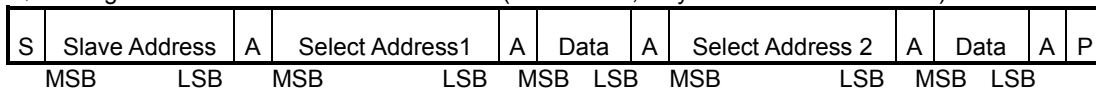


2) Automatic increment (Select Address increases (+1) according to the number of data.)



- (Example) ① Data1 shall be set as data of address specified by Select Address.
- ② Data2 shall be set as data of address specified by Select Address +1.
- ③ DataN shall be set as data of address specified by Select Address +N-1.

3) Configuration unavailable for transmission (In this case, only Select Address1 is set.)



(Note) If any data is transmitted as Select Address 2 next to data, It is recognized as data, not as Select Address 2.

(4) Slave address

	MSB						LSB	
	A6	A5	A4	A3	A2	A1	A0	R/W
	1	0	0	0	0	0	0	0

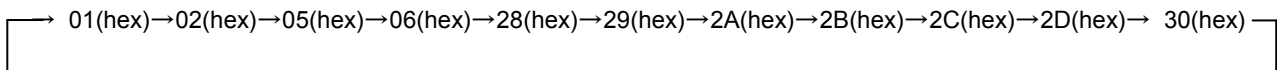
(5) Select Address & Data

Items	Select Address (hex)	MSB		Data						LSB
		D7	D6	D5	D4	D3	D2	D1	D0	
Initial Setup 1	01	Advanced Switch ON/OFF	0	Advanced Switch Time of Input Gain/Fader		0	High-Voltage Mode Select	0	0	
Initial Setup 2	02	0	0	Sub Selector		0	0	Rear Selector	Front Selector	
Input Selector	05	0	0	0	0	Input Selector				
Input Gain	06	0	0	Input Gain						
Fader 1ch Front	28	Fader Boost Gain / Attenuation								
Fader 2ch Front	29	Fader Boost Gain / Attenuation								
Fader 1ch Rear	2A	Fader Boost Gain / Attenuation								
Fader 2ch Rear	2B	Fader Boost Gain / Attenuation								
Fader Center	2C	Fader Boost Gain / Attenuation								
Fader Subwoofer	2D	Fader Boost Gain / Attenuation								
LPF Setup Mixing ON/OFF	30	Front Mixing ON/OFF	LPF fc	0	0	0	0	Sub Gain Adjust	Main Gain Adjust	
Test Mode	F0	0	0	0	0	0	0	0	0	
System Reset	FE	1	0	0	0	0	0	0	1	

 Advanced switch

Notes on data format

1. "Advanced switch" function is available for the hatched parts on the above table.
2. In case of transferring data continuously, Select Address flows by *Automatic Increment function*, as shown below.



3. Input selector that is not corresponded for "Advanced switch" function, cannot reduce the noise caused when changing the input selector. Therefore, it is recommended to turn on mute when changing these settings.
4. In case of setting to infinite "-∞" by using Fader when input selector setting is changed, please consider "Advanced switch" time.

Explanation of each Select Address

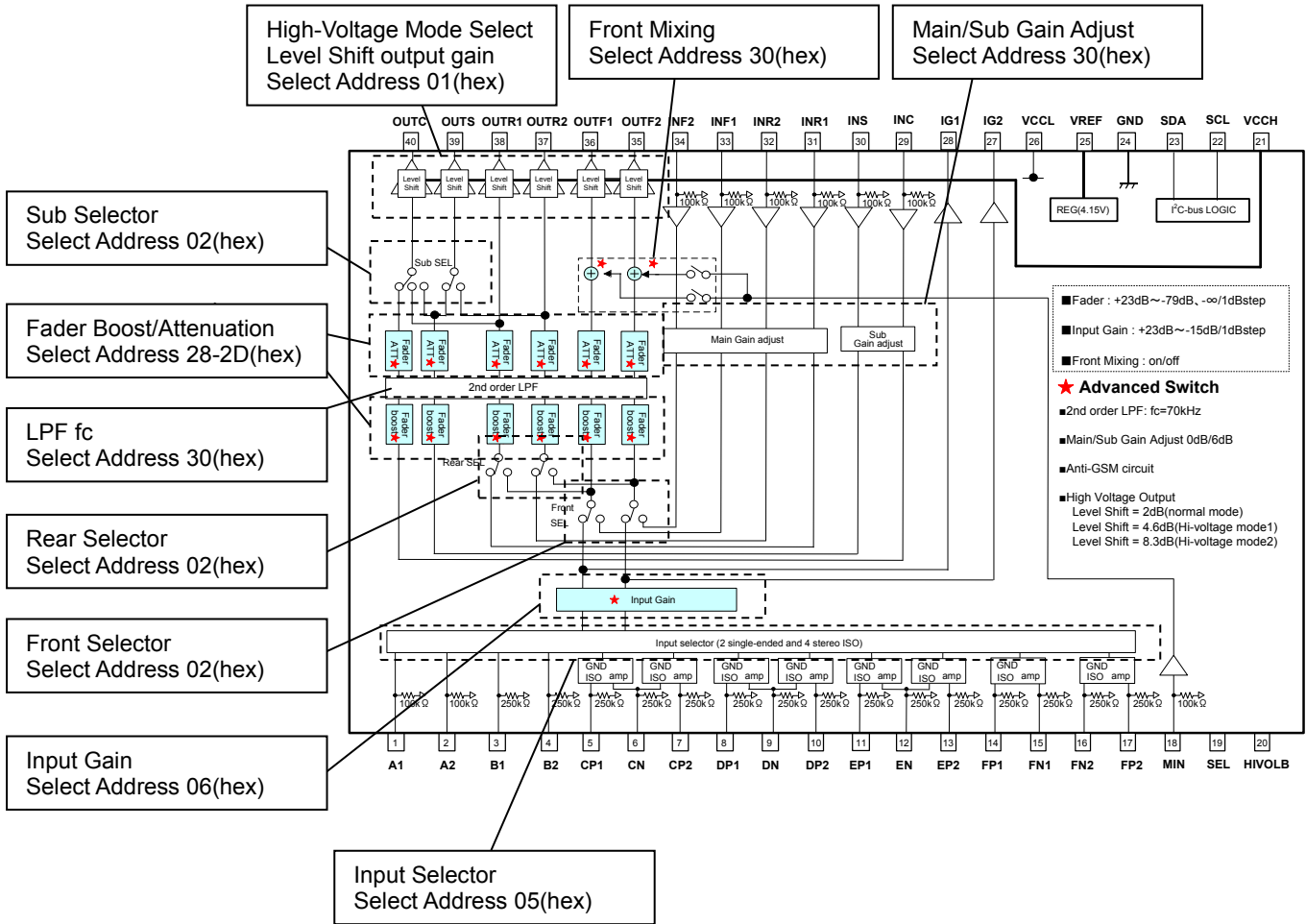


Figure 14. Block diagram for explanation of Select Address

Command Specification

 Initial Condition, 1/0 Fixed value Do not send the data not designated

Select Address 01 (hex)

Mode	High-Voltage Mode Select							LSB
	D7	D6	D5	D4	D3	D2	D1	D0
High-Voltage mode2 (+8.3dB)						0		
High-Voltage mode1 (+4.6dB)		0						

Mode	Advanced Switch Time of Input Gain/Fader ^(Note1,2)							LSB
	D7	D6	D5	D4	D3	D2	D1	D0
4.7 msec			0	0				
7.1 msec			0	1				
11.2 msec		0	1	0				
14.4 msec			1	1				

(Note1) Advanced switch time is Typ value. Max value is 1.4 times of Typ value.

(Note2) If changing Advanced switch time while Advanced switch function is activated, Advance switch time is changed immediately.

Mode	Advanced Switch ON/OFF ^(Note3)							LSB
	D7	D6	D5	D4	D3	D2	D1	D0
OFF	0							
ON	1	0						

(Note3) If Advanced switch ON/OFF is changed while Advanced switch function is activated, it will become effective from the next switching operation.

Select Address 02 (hex)

Mode	Front Selector							LSB
	D7	D6	D5	D4	D3	D2	D1	D0
Front								0
Inside Through	0	0						1

Mode	Rear Selector							LSB
	D7	D6	D5	D4	D3	D2	D1	D0
Rear							0	
Front Copy	0	0					1	

Mode ^(Note4)	Sub Selector							LSB
	D7	D6	D5	D4	D3	D2	D1	D0
OUTC(INS)/OUTS(INS)			0	0				
OUTC(INR1)/OUTS(INR2)			0	1				
OUTC (INC)/OUTS(INS)	0	0	1	0				
Prohibition			1	1				

(Note4) xxx(INxx) : "xxx" means "Output terminal", "(INxx)" means "Output signal"

Command Specification

 Initial Condition, 1/0 Fixed value Do not send the data not designated

Select Address 05(hex)

Mode	MSB				Input Selector				LSB	
	D7	D6	D5	D4	D3	D2	D1	D0		
A	0	0	0	0	0	0	0	0		
B					0	0	0	1		
C single					0	0	1	0		
D single					0	0	1	1		
E single					0	1	0	0		
F single					0	1	0	1		
C diff.					0	1	1	0		
D diff.					0	1	1	1		
E diff.					1	0	0	0		
F full-diff.					1	0	0	1		
Prohibition					1	0	1	0		
					:	:	:	:		
	1	1	1	1						

List of active input terminal when set input selector

Mode	Lch positive input terminal	Lch negative input terminal	Rch positive input terminal	Rch negative input terminal
A	1pin(A1)	-	2pin(A2)	-
B	3pin(B1)	-	4pin(B2)	-
C single	5pin(CP1)	-	7pin(CP2)	-
D single	8pin(DP1)	-	10pin(DP2)	-
E single	11pin(EP1)	-	13pin(EP2)	-
F single	14pin(FP1)	-	17pin(FP2)	-
C diff.	5pin(CP1)	6pin(CN)	7pin(CP2)	6pin(CN)
D diff.	8pin(DP1)	9pin(DN)	10pin(DP2)	9pin(DN)
E diff.	11pin(EP1)	12pin(EN)	13pin(EP2)	12pin(EN)
F full-diff.	14pin(FP1)	15pin(FN1)	17pin(FP2)	16pin(FN2)

Command Specification

 Initial Condition, 1/0 Fixed value Do not send the data not designated

Select Address 06 (hex)

Mode	MSB		Input Gain					LSB
	D7	D6	D5	D4	D3	D2	D1	D0
Prohibition	0	0	0	0	0	0	0	0
			:	:	:	:	:	:
0			0	1	0	0	0	
+23dB			0	0	1	0	0	1
+22dB			0	0	1	0	1	0
+21dB			0	0	1	0	1	1
+20dB			0	0	1	1	0	0
+19dB			0	0	1	1	0	1
+18dB			0	0	1	1	1	0
+17dB			0	0	1	1	1	1
+16dB			0	1	0	0	0	0
+15dB			0	1	0	0	0	1
+14dB			0	1	0	0	1	0
+13dB			0	1	0	0	1	1
+12dB			0	1	0	1	0	0
+11dB			0	1	0	1	0	1
+10dB			0	1	0	1	1	0
+9dB			0	1	0	1	1	1
+8dB			0	1	1	0	0	0
+7dB			0	1	1	0	0	1
+6dB			0	1	1	0	1	0
+5dB			0	1	1	0	1	1
+4dB			0	1	1	1	0	0
+3dB			0	1	1	1	0	1
+2dB	0	1	1	1	1	0		
+1dB	0	1	1	1	1	1		
0dB			1	0	0	0	0	
-1dB	1	0	0	0	0	0	1	
-2dB	1	0	0	0	0	1	0	
-3dB	1	0	0	0	0	1	1	
-4dB	1	0	0	1	0	0	0	
-5dB	1	0	0	1	0	0	1	
-6dB	1	0	0	1	1	1	0	
-7dB	1	0	0	1	1	1	1	
-8dB	1	0	1	0	0	0	0	
-9dB	1	0	1	0	0	0	1	
-10dB	1	0	1	0	1	1	0	
-11dB	1	0	1	0	1	1	1	
-12dB	1	0	1	1	0	0	0	
-13dB	1	0	1	1	0	0	1	
-14dB	1	0	1	1	1	1	0	
-15dB	1	0	1	1	1	1	1	
Prohibition	1	1	0	0	0	0	0	
	:	:	:	:	:	:	:	
	1	1	1	1	1	1	1	

Command Specification

 Initial Condition, 1/0 Fixed value Do not send the data not designated

Select Address 28, 29, 2A, 2B, 2C, 2D (hex)

Boost & Attenuation	MSB		Fader Boost / Attenuation					LSB	
	D7	D6	D5	D4	D3	D2	D1	D0	
Prohibition	0	0	0	0	0	0	0	0	0
	0	0	0	0	0	0	0	0	1
	:	:	:	:	:	:	:	:	:
	0	1	1	0	1	0	0	0	0
+23dB	0	1	1	0	1	0	0	1	
+22dB	0	1	1	0	1	0	1	0	
+21dB	0	1	1	0	1	0	1	1	
:	:	:	:	:	:	:	:	:	
:	:	:	:	:	:	:	:	:	
:	:	:	:	:	:	:	:	:	
+10dB	0	1	1	1	0	1	1	0	
+9dB	0	1	1	1	0	1	1	1	
+8dB	0	1	1	1	1	0	0	0	
+7dB	0	1	1	1	1	0	0	1	
+6dB	0	1	1	1	1	0	1	0	
+5dB	0	1	1	1	1	0	1	1	
+4dB	0	1	1	1	1	1	0	0	
+3dB	0	1	1	1	1	1	0	1	
+2dB	0	1	1	1	1	1	1	0	
+1dB	0	1	1	1	1	1	1	1	
0dB	1	0	0	0	0	0	0	0	
-1dB	1	0	0	0	0	0	0	1	
-2dB	1	0	0	0	0	0	1	0	
-3dB	1	0	0	0	0	0	1	1	
:	:	:	:	:	:	:	:	:	
:	:	:	:	:	:	:	:	:	
-78dB	1	1	0	0	1	1	1	0	
-79dB	1	1	0	0	1	1	1	1	
Prohibition	1	1	0	1	0	0	0	0	
	:	:	:	:	:	:	:	:	
	1	1	1	1	1	1	1	0	
-∞dB	1	1	1	1	1	1	1	1	

Details of Fader Boost / Attenuation

 Initial Condition,

(dB)	D7	D6	D5	D4	D3	D2	D1	D0	(dB)	D7	D6	D5	D4	D3	D2	D1	D0
+23	0	1	1	0	1	0	0	1	-29	1	0	0	1	1	1	0	1
+22	0	1	1	0	1	0	1	0	-30	1	0	0	1	1	1	1	0
+21	0	1	1	0	1	0	1	1	-31	1	0	0	1	1	1	1	1
+20	0	1	1	0	1	1	0	0	-32	1	0	1	0	0	0	0	0
+19	0	1	1	0	1	1	0	1	-33	1	0	1	0	0	0	0	1
+18	0	1	1	0	1	1	1	0	-34	1	0	1	0	0	0	1	0
+17	0	1	1	0	1	1	1	1	-35	1	0	1	0	0	0	1	1
+16	0	1	1	1	0	0	0	0	-36	1	0	1	0	0	1	0	0
+15	0	1	1	1	0	0	0	1	-37	1	0	1	0	0	1	0	1
+14	0	1	1	1	0	0	1	0	-38	1	0	1	0	0	1	1	0
+13	0	1	1	1	0	0	1	1	-39	1	0	1	0	0	1	1	1
+12	0	1	1	1	0	1	0	0	-40	1	0	1	0	1	0	0	0
+11	0	1	1	1	0	1	0	1	-41	1	0	1	0	1	0	0	1
+10	0	1	1	1	0	1	1	0	-42	1	0	1	0	1	0	1	0
+9	0	1	1	1	0	1	1	1	-43	1	0	1	0	1	0	1	1
+8	0	1	1	1	1	0	0	0	-44	1	0	1	0	1	1	0	0
+7	0	1	1	1	1	0	0	1	-45	1	0	1	0	1	1	0	1
+6	0	1	1	1	1	0	1	0	-46	1	0	1	0	1	1	1	0
+5	0	1	1	1	1	0	1	1	-47	1	0	1	0	1	1	1	1
+4	0	1	1	1	1	1	0	0	-48	1	0	1	1	0	0	0	0
+3	0	1	1	1	1	1	0	1	-49	1	0	1	1	0	0	0	1
+2	0	1	1	1	1	1	1	0	-50	1	0	1	1	0	0	1	0
+1	0	1	1	1	1	1	1	1	-51	1	0	1	1	0	0	1	1
0	1	0	0	0	0	0	0	0	-52	1	0	1	1	0	1	0	0
-1	1	0	0	0	0	0	0	1	-53	1	0	1	1	0	1	0	1
-2	1	0	0	0	0	0	1	0	-54	1	0	1	1	0	1	1	0
-3	1	0	0	0	0	0	1	1	-55	1	0	1	1	0	1	1	1
-4	1	0	0	0	0	1	0	0	-56	1	0	1	1	1	0	0	0
-5	1	0	0	0	0	1	0	1	-57	1	0	1	1	1	0	0	1
-6	1	0	0	0	0	1	1	0	-58	1	0	1	1	1	0	1	0
-7	1	0	0	0	0	1	1	1	-59	1	0	1	1	1	0	1	1
-8	1	0	0	0	1	0	0	0	-60	1	0	1	1	1	1	0	0
-9	1	0	0	0	1	0	0	1	-61	1	0	1	1	1	1	0	1
-10	1	0	0	0	1	0	1	0	-62	1	0	1	1	1	1	1	0
-11	1	0	0	0	1	0	1	1	-63	1	0	1	1	1	1	1	1
-12	1	0	0	0	1	1	0	0	-64	1	1	0	0	0	0	0	0
-13	1	0	0	0	1	1	0	1	-65	1	1	0	0	0	0	0	1
-14	1	0	0	0	1	1	1	0	-66	1	1	0	0	0	0	1	0
-15	1	0	0	0	1	1	1	1	-67	1	1	0	0	0	0	1	1
-16	1	0	0	1	0	0	0	0	-68	1	1	0	0	0	1	0	0
-17	1	0	0	1	0	0	0	1	-69	1	1	0	0	0	1	0	1
-18	1	0	0	1	0	0	1	0	-70	1	1	0	0	0	1	1	0
-19	1	0	0	1	0	0	1	1	-71	1	1	0	0	0	1	1	1
-20	1	0	0	1	0	1	0	0	-72	1	1	0	0	1	0	0	0
-21	1	0	0	1	0	1	0	1	-73	1	1	0	0	1	0	0	1
-22	1	0	0	1	0	1	1	0	-74	1	1	0	0	1	0	1	0
-23	1	0	0	1	0	1	1	1	-75	1	1	0	0	1	0	1	1
-24	1	0	0	1	1	0	0	0	-76	1	1	0	0	1	1	0	0
-25	1	0	0	1	1	0	0	1	-77	1	1	0	0	1	1	0	1
-26	1	0	0	1	1	0	1	0	-78	1	1	0	0	1	1	1	0
-27	1	0	0	1	1	0	1	1	-79	1	1	0	0	1	1	1	1
-28	1	0	0	1	1	1	0	0	-∞	1	1	1	1	1	1	1	1

Command Specification

 Initial Condition,
 1/0 Fixed value Do not send the data not designated

Select Address 30(hex)

Mode	Main Gain Adjust							LSB
	D7	D6	D5	D4	D3	D2	D1	D0
0dB			0	0	0	0		0
+6dB			0	0	0	0		1

Mode	Sub Gain Adjust							LSB
	D7	D6	D5	D4	D3	D2	D1	D0
0dB			0	0	0	0	0	
+6dB			0	0	0	0	1	

Mode	LPF fc							LSB
	D7	D6	D5	D4	D3	D2	D1	D0
70kHz		0	0	0	0	0		
PASS		1	0	0	0	0		

Mode	Front Mixing ON/OFF							LSB
	D7	D6	D5	D4	D3	D2	D1	D0
OFF	0		0	0	0	0		
ON	1		0	0	0	0		

(6) About power on reset

It is possible for the reset circuit inside the IC to initialize when supply voltage is turned on. Please send data to all address as initial data when the supply is turned on, and turn on mute until all initial data are sent.

Item	Symbol	Limit			Unit	Condition
		Min	Typ	Max		
Rise time of VCCL	t _{RISE}	250	—	—	μsec	V _{CCL} rise time to 5V
VCCL voltage of release power on reset	V _{POR}	—	4.1	—	V	

(7) About start-up and power off sequence on IC

By setting the terminal voltage of HIVOLB and SEL, it is possible to change the output gain. At the same time, output DC voltage will also be changed at each mode.

HIVOLB Terminal Voltage	High-Voltage
GND to 1.0V	ON
2.3V to VCCL	OFF

SEL Terminal Voltage	High-Voltage mode
GND to 0.5V	High-Voltage mode1
1.5V to VCCL	High-Voltage mode2

Please set HIVOLB terminal voltage between the ranges showed by the above tables. If HIVOLB terminal is open, the terminal voltage will be set to 5V due to the pull-up voltage inside the IC. In this case, the IC will be set to “High-Voltage OFF” mode. SEL terminal is 4.15V due to the pull-up voltage inside the IC. Output DC voltage and Output gain, that are changed by the combination of “HIVOLB” terminal and “SEL” terminal shows as the following table.

VCCH Supplied Voltage	9 V		11.5 V	17 V
HIVOLB Terminal Voltage	5 V (High-Voltage OFF)		0V (High-Voltage ON)	
SEL Terminal Voltage	0V (High-Voltage mode1)	Open (4.15 V) (High-Voltage mode2)	0 V (High-Voltage mode1)	Open (4.15 V) (High-Voltage mode2)
Output DC Bias Voltage	4.35 V		5.6 V	8.35 V
Level Shift Output gain	2 dB		4.6 dB	8.3 dB

If HIVOLB terminal voltage is changed during its operation, Output DC voltage will be also changed shown as above. For reducing these variations, turn the power on after setting the status of the HIVOLB and SEL terminal according to the output gain. The start-up and power off sequence is shown next.

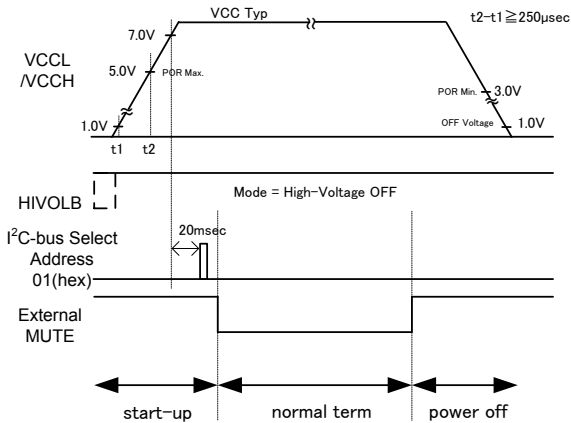


Figure 15. Normal mode(High-Voltage OFF) operation

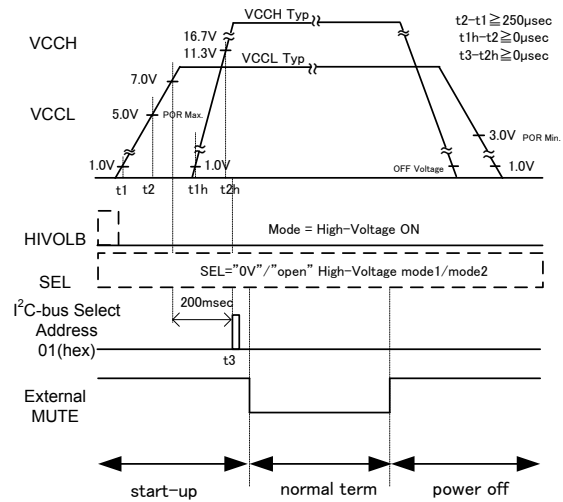


Figure 16. High-Voltage mode operation (High-Voltage mode1 and mode2 common)

HIVOLB in the figure above is used to select the Output gain. This IC will become active-state by sending data of Select Address 01(hex) on I²C-bus after 20msec from that VCCL reaches over 7.0V. High-Voltage Output gain is selected by setting SEL terminal voltage and sending I²C-bus data. Therefore, this command must always be sent in the start-up sequence. In addition, "External MUTE" in the figure above is the recommended period that the muting is activated from outside the IC. In addition, the starting sequence of VCCL and VCC does not have the limit, but please start VCCL earlier to reduce a pop noise.

For HIVOLB terminal, there is countermeasure taken for protection from voltage spikes. But, please take care that the output DC voltage may fluctuate, if the period of voltage spike is over 50nsec.

(8) About relations of power supply voltage and the DC-bias voltage

Output DC-bias voltage is decided by the regulator that is embedded in this IC, DC-bias does not fluctuate up to a constant level even if power supply voltage is lowered. The following graphs show the relationship between DC-bias voltage and power supply voltage.

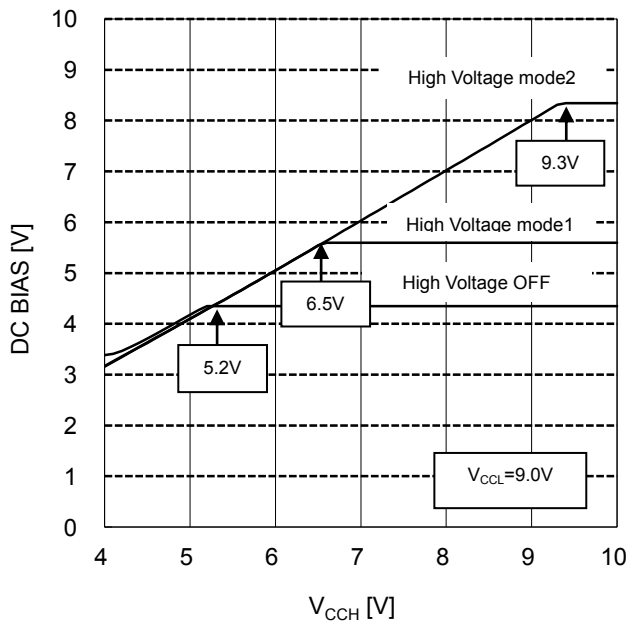


Figure 17. V_{CCH} vs DC Bias

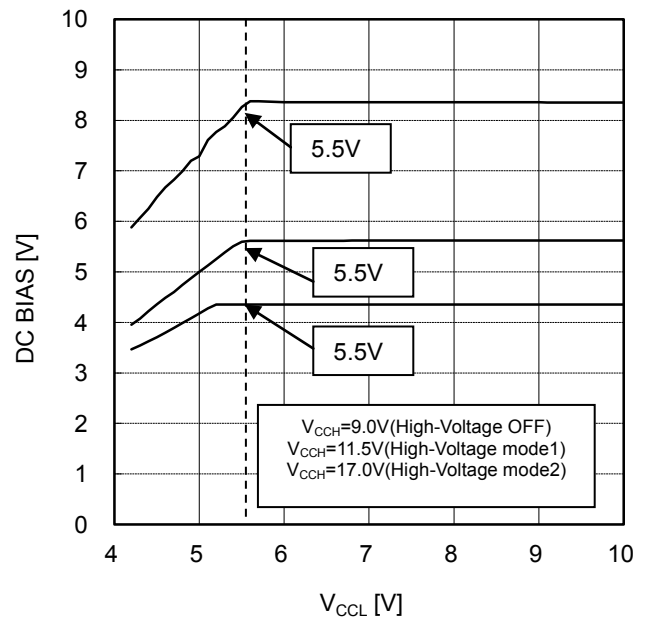


Figure 18. V_{CCL} vs DC Bias

About advanced switch circuit

【1】 Advanced switch technology

1-1. Advanced switch effects

Advanced switch technology is ROHM original technology that can prevent from switching pop noise. If changing the gain setting (for example Fader) immediatery, the audible signal will become discontinuously and pop noise will be occurred. This Advanced switch technology will prevent this discontinuous signal by completing the signal waveform and will significantly reduce the noise.

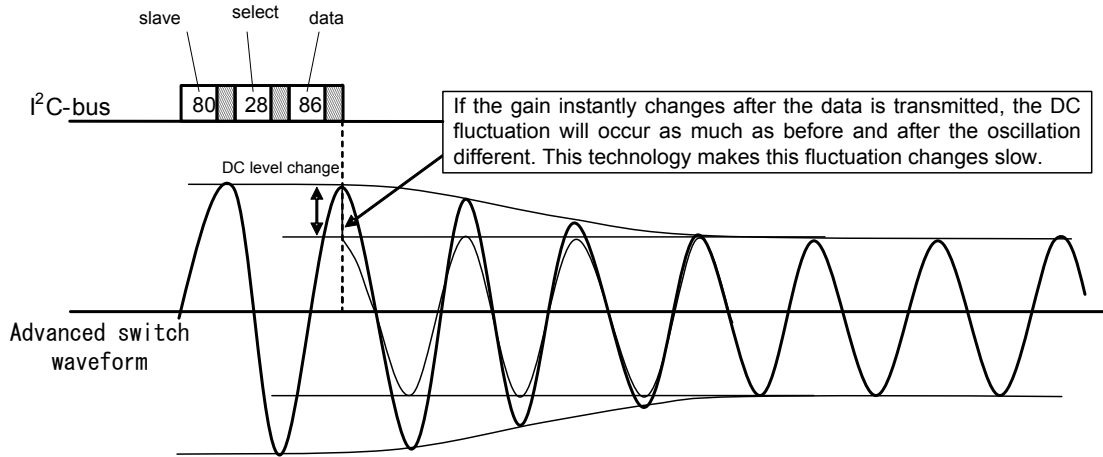


Figure 19. Advanced switch waveform

This Advanced switch circuit will start operating when the data is transmitted from microcontroller. Advanced switch waveform is shown as the figure above. For preventing switching noise, This IC will operate optimally by internal processing after the data is transmitted from microcontroller.

However, sometimes the switching waveform is not like the intended form depends on the transmission timing. Therefore, below is the example of the relationship between the transmission timing and actual switching time. Please consider this relationship for the setting.

1-2. The kind of the Transferring Data

- Data setting that is not corresponded to Advanced switch
 ((5)Select Address & data Data format without hatching)
 There is no particular rule about transferring data.
- Data setting that is corresponded to Advanced switch ^(Note1)
 ((5)Select Address & data Data format with hatching)
 There is no particular rule about transferring data, but Advanced switch must follow the switching sequence as mentioned in 【2】 as follows.

(Note1) The blocks that are corresponded Advanced switch are “Input Gain” , “Fader” and ” Front Mixing ON/OFF” (In detail, please refer to (5) Select Address & data).

[2] Data transmission that is corresponded to Advanced switch

2-1. Switching time of Advanced switch

Switching time includes [Twait(Wait time)], [Tsft(A→B switching time)] and [Tsft(B→A switching time)].
 25msec is needed per 1 switching. (Tsoft = Twait + 2 * Tsft, Twait=2.3msec, Tsft=11.2msec)

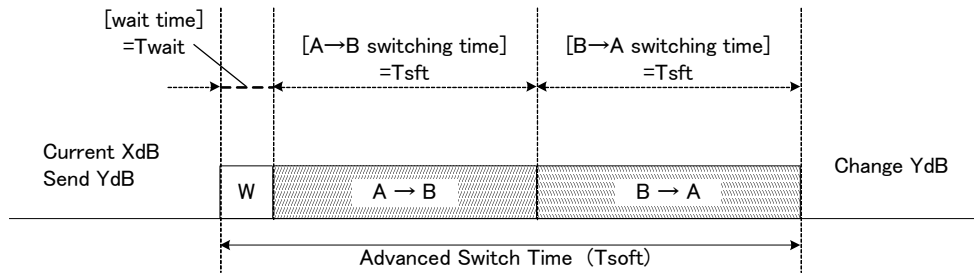


Figure 20. About Advanced switching time

In the figure above, Start/Stop state is expressed as “A” and temporary state is expressed as “B”.
 The switching sequence of Advanced switch consists of the cycle “A(start)→B(temporary)→A(stop)”. Therefore, switching sequence will not stop at B state.
 For example, switching is performed from A(Initial gain)→B(set gain)→A(set gain) when switching from initial gain to set gain. And switching time (Tsft) of A→B or B→A are equal.

2-2. Explanation on data transmission’s timing and switching operation.

The following examples show the timing chart from data transmission to starting of switching.

Definition of example expression :

F1=Fader 1ch Front, F2=Fader 2ch Front, R1=Fader 1ch Rear, R2=Fader 2ch Rear
 C=Fader Center, S=Fader Subwoofer, MIX=Front Mixing

■ Transmission example 1

This is an example when transmitting data in same block with “enough interval for data transmission”.
 (enough interval for data transmission : 1.4 x Tsoft * "1.4" includes tolerance margin.)

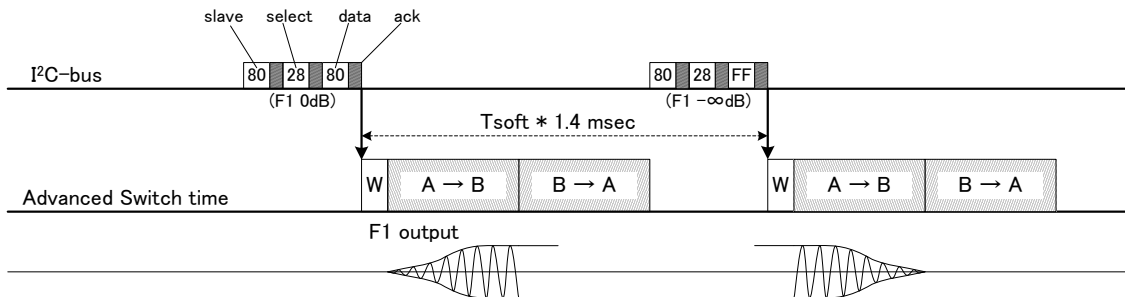


Figure 21. Transmission example 1

■ Transmission example 2

■ This is an example when the transmission interval is not enough (smaller than “Transmission example 1”).

■ When the data is transmitted during first switching operation, the second data will be reflected after the first switching operation. In this case, there is no wait time (Twait) before the second switching operation.

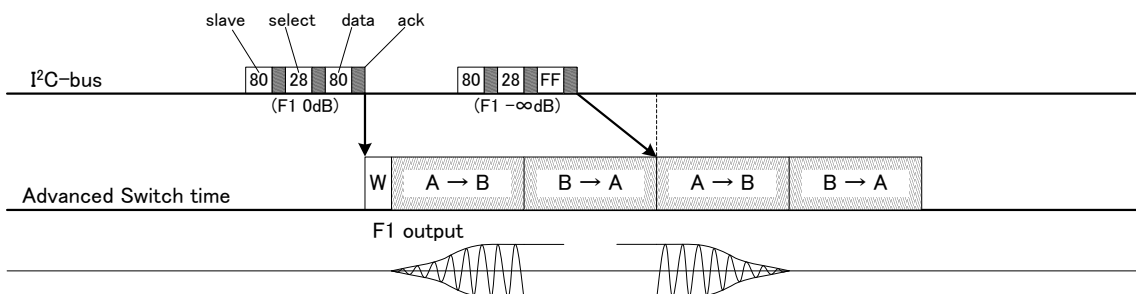


Figure 22. Transmission example 2

■ Transmission example 3

This is an example when transmission interval is smaller than “Transmission example 2”).

When the data is transmitted during the first switching operation, and transmission timing is just during A→B switching operation, the second data will be reflected at B→A switching term in case of Fader.

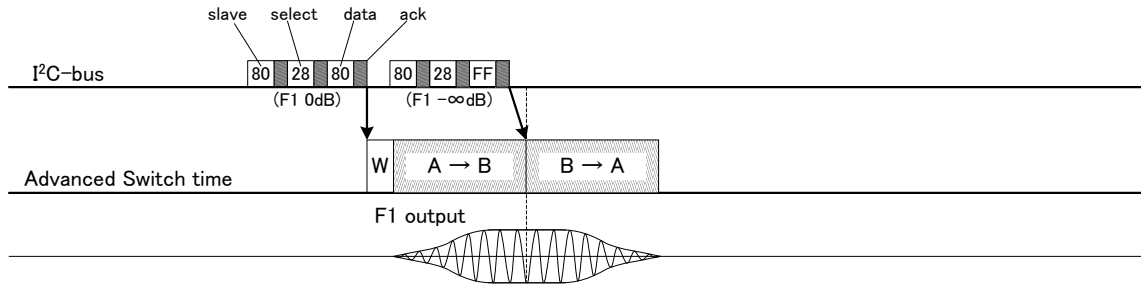


Figure 23. Transmission example 3

Please take care as follows when transmitting data to multiple channels.

It is possible that Lch and Rch in same block(Front/Rear/Center,Subwoofer) can be switched at the same timing.

For example, if the data transmission is set as the figure below, F1 and F2 can be switched at the same timing.

(Data ① is sent for F1 (Lch) and data ② is sent for F2 (Rch).)

Twait (designed to 2.3 msec) is the wait time for starting switching.

Twait may change from 1.2msec (Min.) to 4.6msec (Max.) by considering tolerance margin.

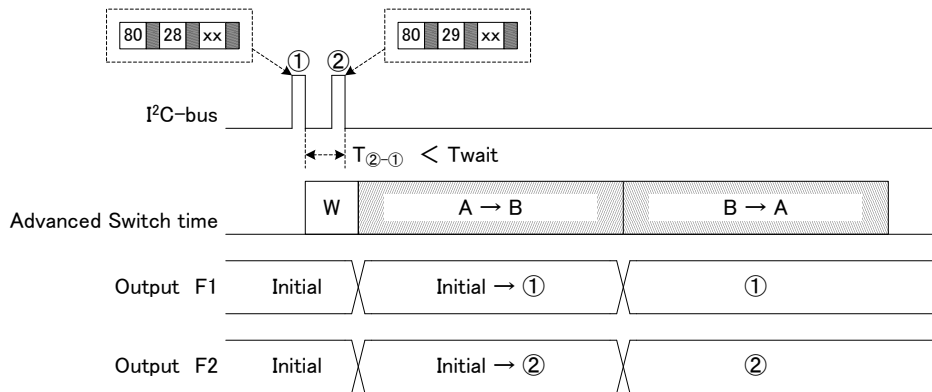


Figure 24. The operation during multi-channels (Lch, Rch) data transmission (smaller than Twait interval).

Next, if data ② is not transmitted during the Twait, the switching operation will be as the figure below.

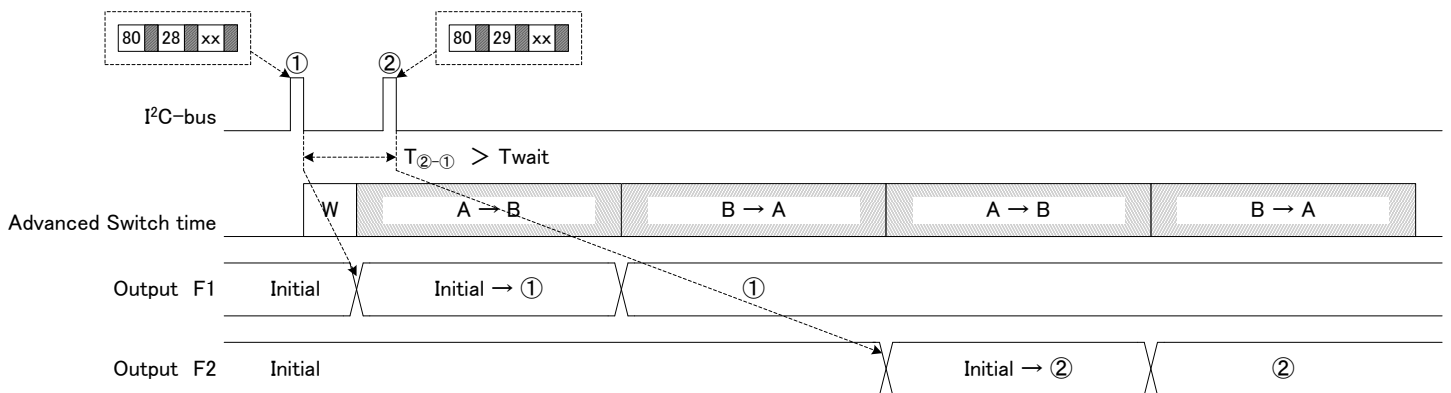


Figure 25. The operation during multiple channels (Lch, Rch) data transmission (larger than Twait interval).

2-3. Multiple blocks data transmission timing and switching operation.

In case the data is transmitted to multiple blocks, the processing is performed internally by BS (Block state) unit. Starting order of Advanced switch is determined by BS unit.

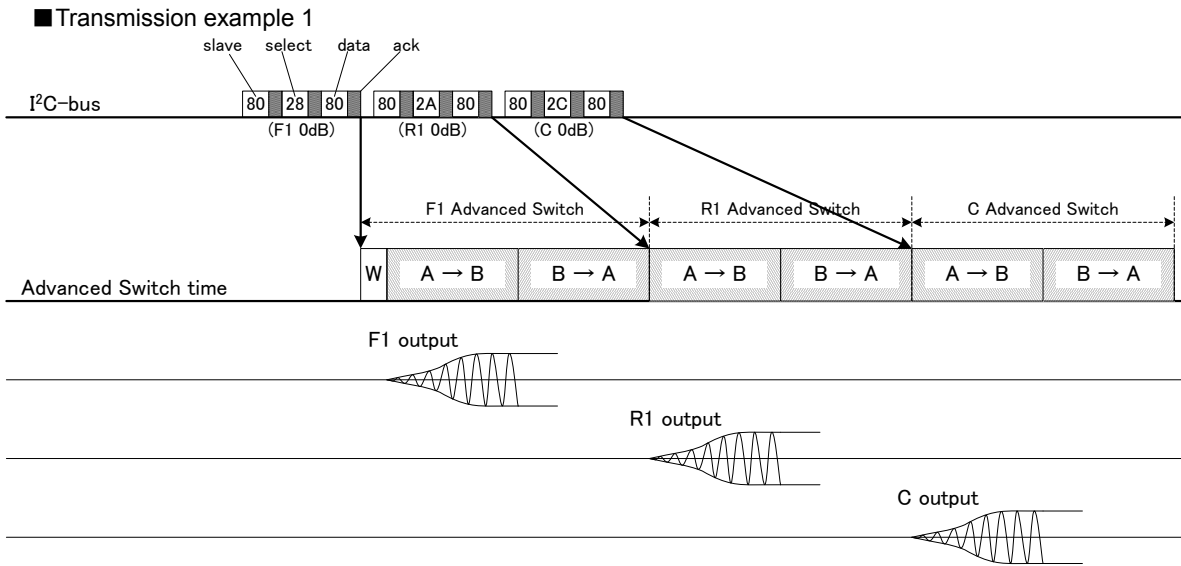


Figure 26. Multi-blocks data transmission timing

There are no timing regulations of I²C-bus data transmission. But next switching will start after the end of the current switching. The timing of Advanced switch is depended, not on the order of data transmission, but on the order of the figure below. The blocks in the same group (For example, BS1, BS3) can start switching at the same time.

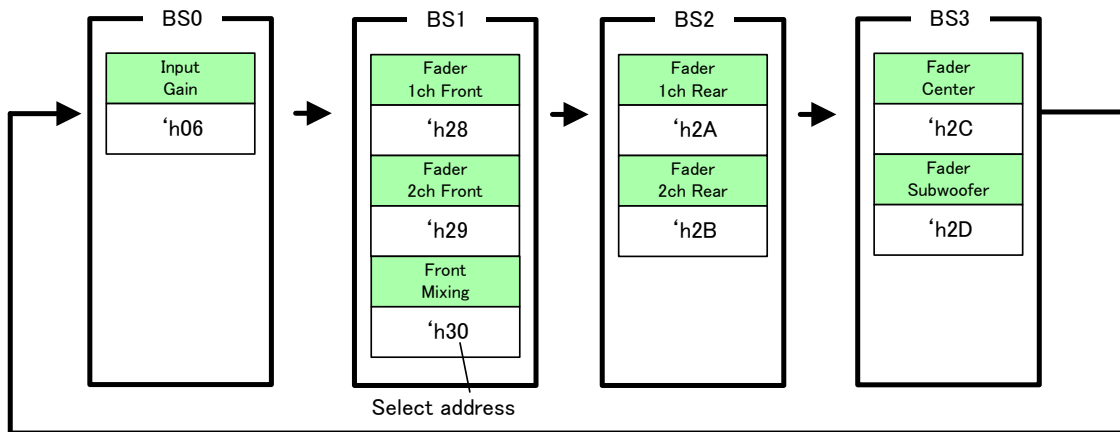


Figure 27. The turn of Advanced switch start

■ Transmission example 2

In case of that the transmission order is different with actual switching order.

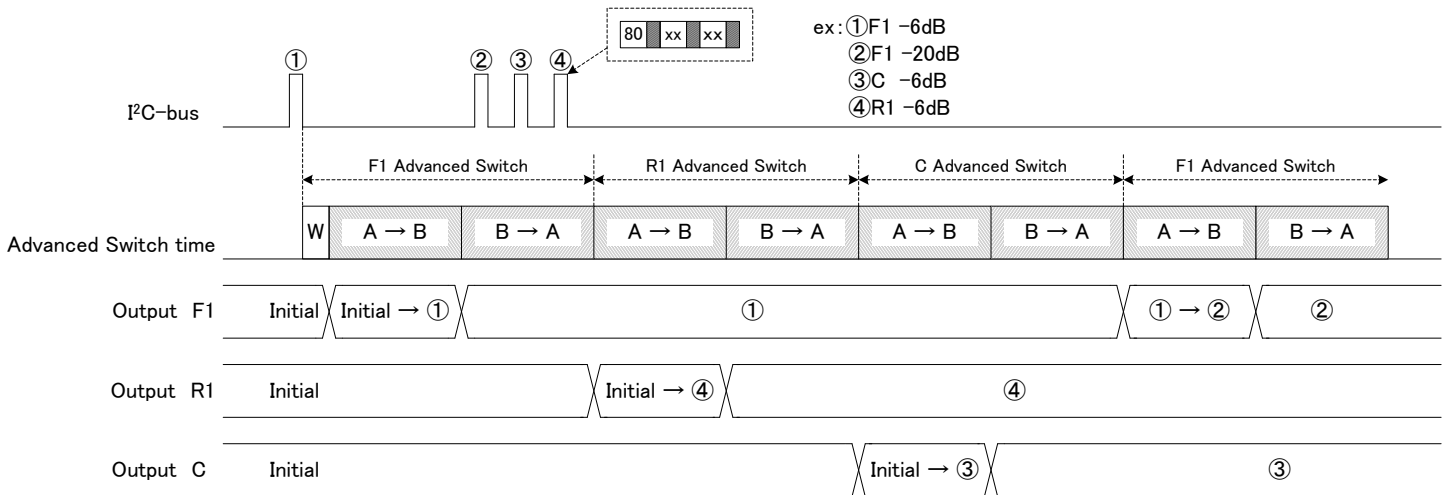


Figure 28. In case of the transmission order is different with actual switching order

If the data of Front/Rear/Center setting is transmitted during the switching of Front, Rear and Center switching have priority over Front switching. In order to proceeding the switching starts as the data transmission order, please transmit the next data after the end of current switching.

■ Transmission example 3

If Refresh data that is same as current setting is transmitted, gain switching operation will not start.

The below figure shows the case of transmitting data after Refresh data.

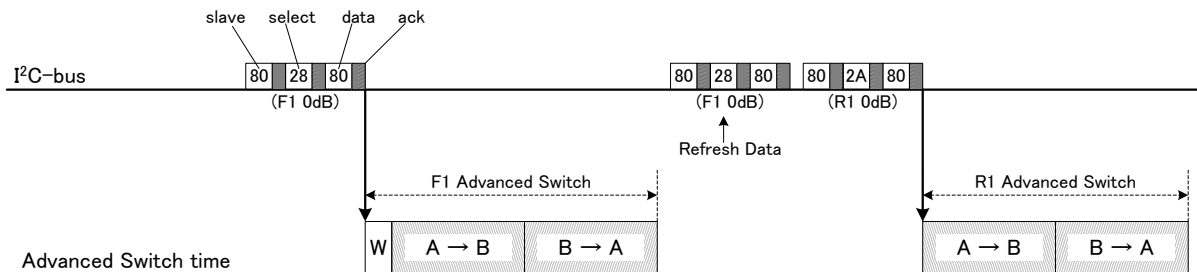


Figure 29. In case of the transmission of Refresh data

Application Example

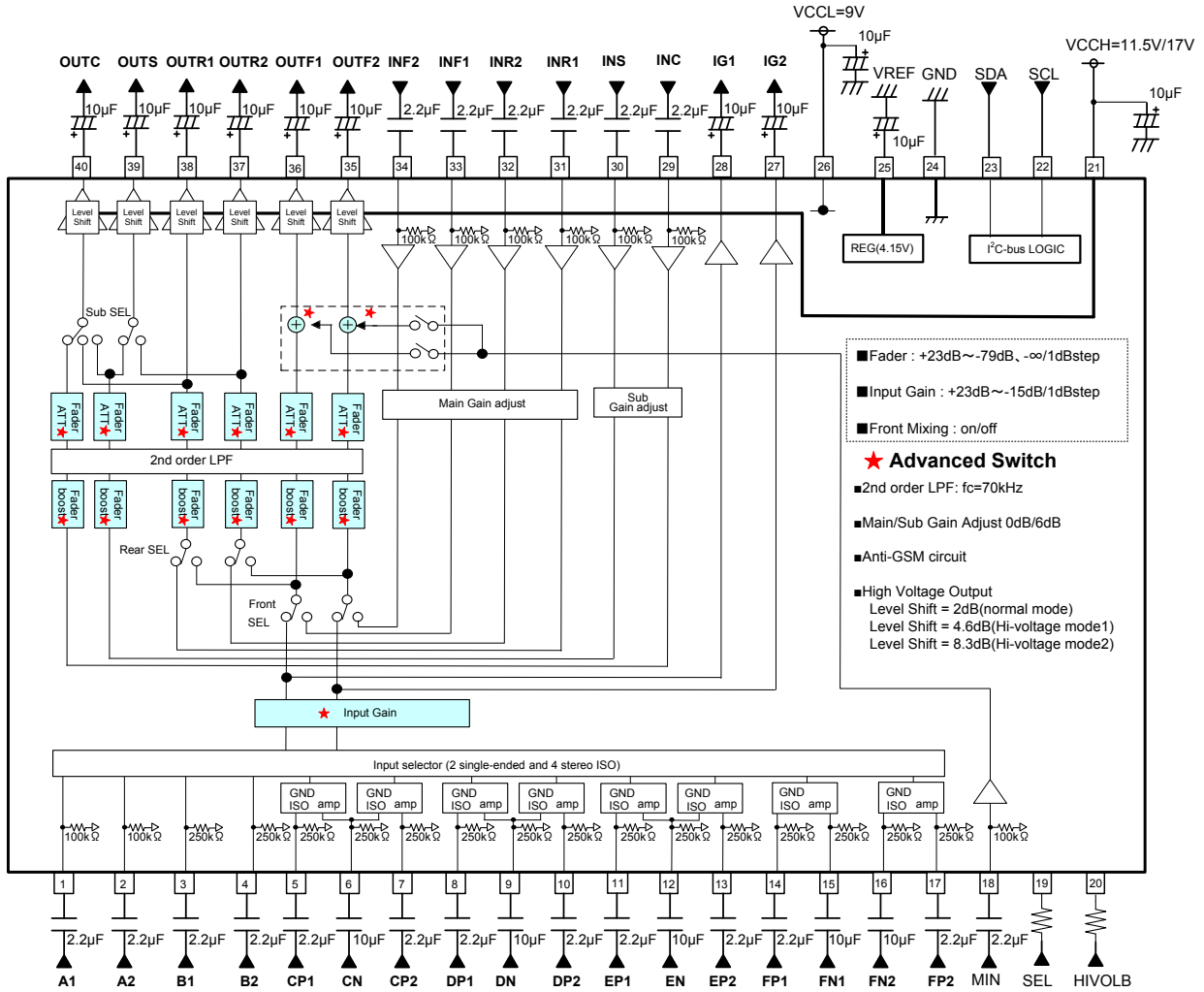


Figure 30. Application Example

UNIT
RESISTANCE: Ω
CAPACITANCE: F

- Notes on wiring**
- ① Please connect the decoupling capacitor of a power supply as close as possible to GND.
 - ② Lines of GND shall be one-point connected.
 - ③ Wiring pattern of Digital unit shall be away from that of analog unit and crosstalk shall not be acceptable.
 - ④ Lines of SCL and SDA of I²C-bus shall not be parallel if possible. The lines shall be shielded, if they are adjacent to each other.
 - ⑤ Lines of analog input shall not be parallel if possible. The lines shall be shielded, if they are adjacent to each other.

I/O Equivalence Circuit

Terminal No	Terminal Name	Terminal Voltage	Equivalence Circuit	Terminal Description
1 2 29 30 31 32 33 34 18	A1 A2 INC INS INR1 INR2 INF1 INF2 MIN	4.15V		A terminal for signal input The input impedance is 100kΩ(Typ).
3 4 5 6 7 8 9 10 11 12 13 14 15 16 17	B1 B2 CP1 CN CP2 DP1 DN DP2 EP1 EN EP2 FP1 FN1 FN2 FP2	4.15V		Input terminal Single/Differential mode is selectable. The input impedance is 250kΩ(Typ).
27 28	IG2 IG1	4.15V		Input gain output terminal
35 36 37 38 39 40	OUTF2 OUTF1 OUTR2 OUTR1 OUTS OUTC	(1) 4.35V (2) 5.6V (3) 8.35V		Fader Output terminal (1) Normal mode : 4.35V (2) High-Voltage mode1 : 5.6V (3) High-Voltage mode2 : 8.35V

The figures in the pin explanation and input/output Equivalence circuit are reference values, it doesn't guarantee exact values.

Terminal No	Terminal Name	Terminal Voltage	Equivalence Circuit	Terminal Description
20	HIVOLB	5V		Output gain control terminal Low(0V supply) : High-Voltage ON High(terminal open) : High-Voltage OFF
21 26	VCCH VCCL	17/11.5/9V 9V		Power supply terminal.
22	SCL	—		Terminal for clock input of I ² C-bus communication. Note: When this pin is shorted to next pin(VCCH), it may result in property degradation and destruction of the device.
23	SDA	—		Terminal for data input of I ² C-bus communication.
24	GND	0V		Ground terminal.
25	VREF	4.15V		BIAS terminal. Voltage for reference bias of analog signal system. The simple precharge circuit and simple discharge circuit for an external capacitor are built in.
19	SEL	4.15V		High Voltage Output Select terminal Low(0V supply) : High-Voltage mode1 High(terminal open) : High-Voltage mode2

The figures in the pin explanation and input/output Equivalence circuit are reference values, it doesn't guarantee exact values.

Application Information

1) Absolute maximum rating voltage

When voltage is impressed to VCCL/VCCH exceeding absolute maximum rating voltage, circuit current increases rapidly and it may result in property degradation and destruction of a device. When impressed by a VCCL terminal (26pin) especially by surge examination etc., even if it includes an of operation voltage +surge pulse component, be careful not to impress voltage (about 14V) much higher than absolute maximum rating voltage. And, be careful that there is no more than 18V on the VCCH terminal (21pin).

2) About a signal input part

In the signal input terminal, the value of the input coupling capacitor C(F) should be sufficient to match the value of input impedance $R_{IN}(\Omega)$ inside the IC. The first HPF characteristic of CR is as shown below.

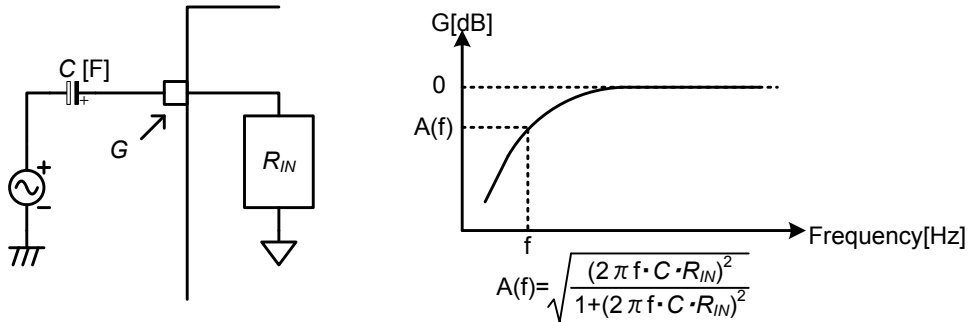


Figure 31. Input Equivalence Circuit

3) About output load characteristics

The usages of load for output are below (reference). Please use the load more than 10 kΩ(Typ).

Output terminal

Terminal No.	Terminal Name	Terminal No.	Terminal Name	Terminal No.	Terminal Name	Terminal No.	Terminal Name
28	IG1	36	OUTF1	38	OUTR1	40	OUTC
27	IG2	35	OUTF2	37	OUTR2	39	OUTS

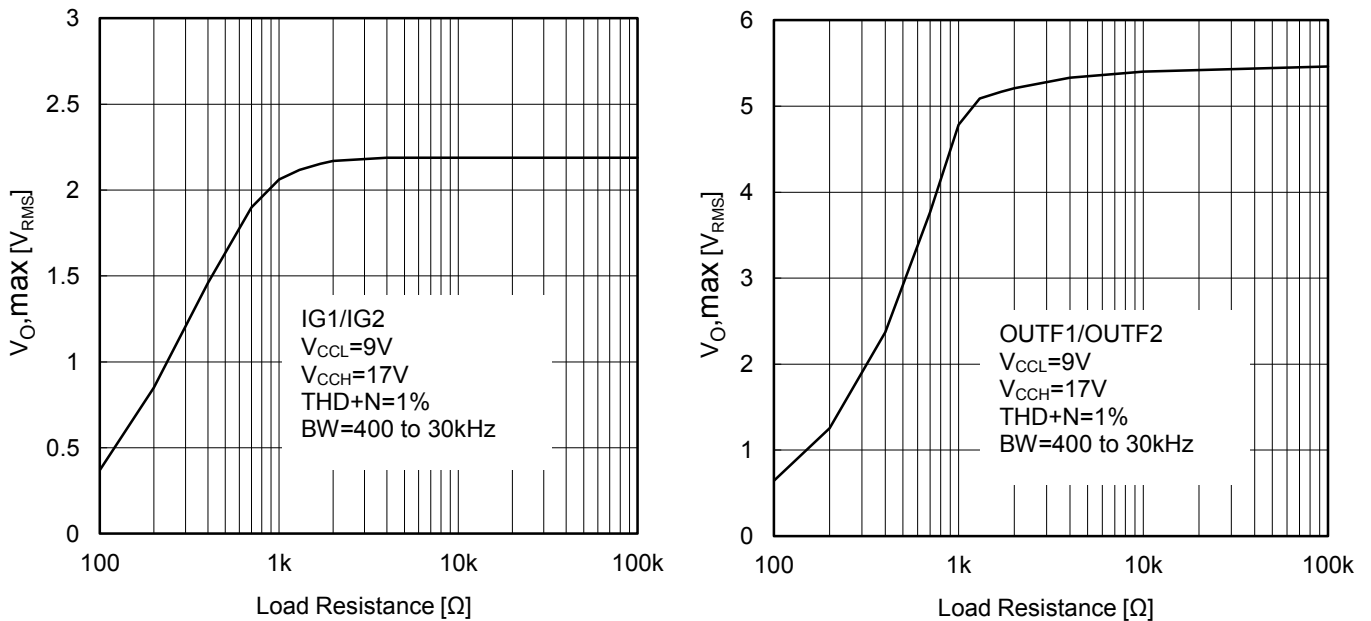


Figure 32. Output load characteristic at $V_{CCL}=9V$, $V_{CCH}=17V$ (Reference)

- 4) About HIVOLB terminal(20pin) when power supply is off
Any voltage shall not be supplied to HIVOLB terminal (20pin) when power-supply is off. Please insert a resistor (about 2.2k Ω) to HIVOLB terminal in series, in case voltage is supplied to HIVOLB terminal. (Please refer Application Circuit Diagram.)
- 5) About signal input terminals
Because the inner impedance of the terminal becomes 100 k Ω or 250 k Ω when the signal input terminal makes a terminal open, the plunge noise from outside sometimes becomes a problem. When there is an unused signal input terminal, design so it is shorted to ground.
- 6) About changing gain of Input Gain and Fader Volume
When increasing the input gain and fader volume, especially those exceeding 20dB, the switching pop noise sometimes becomes big. In this case, we recommend changing the gain in 1 dB steps, without abruptly changing the gain at once. Also, the pop noise can sometimes be reduced by increasing the advanced switch time.
- 7) About inter-pin short to VCCH
VCCH terminal(21pin) is assumed at applied high voltage(Max 17.8V) for 5.2V_{RMS}(Max) output. And so, avoid short between VCCH and SCL. When Inter-pin shorts occur, circuit current increases rapidly, and it may result in property degradation and destruction of a device.

Operational Notes

- 1. Reverse Connection of Power Supply**
Connecting the power supply in reverse polarity can damage the IC. Take precautions against reverse polarity when connecting the power supply, such as mounting an external diode between the power supply and the IC's power supply pins.
- 2. Power Supply Lines**
Design the PCB layout pattern to provide low impedance supply lines. Separate the ground and supply lines of the digital and analog blocks to prevent noise in the ground and supply lines of the digital block from affecting the analog block. Furthermore, connect a capacitor to ground at all power supply pins. Consider the effect of temperature and aging on the capacitance value when using electrolytic capacitors.
- 3. Ground Voltage**
Ensure that no pins are at a voltage below that of the ground pin at any time, even during transient condition.
- 4. Ground Wiring Pattern**
When using both small-signal and large-current ground traces, the two ground traces should be routed separately but connected to a single ground at the reference point of the application board to avoid fluctuations in the small-signal ground caused by large currents. Also ensure that the ground traces of external components do not cause variations on the ground voltage. The ground lines must be as short and thick as possible to reduce line impedance.
- 5. Thermal Consideration**
Should by any chance the maximum junction temperature rating be exceeded the rise in temperature of the chip may result in deterioration of the properties of the chip. In case of exceeding this absolute maximum rating, increase the board size and copper area to prevent exceeding the maximum junction temperature rating.
- 6. Recommended Operating Conditions**
These conditions represent a range within which the expected characteristics of the IC can be approximately obtained. The electrical characteristics are guaranteed under the conditions of each parameter.
- 7. Inrush Current**
When power is first supplied to the IC, it is possible that the internal logic may be unstable and inrush current may flow instantaneously due to the internal powering sequence and delays, especially if the IC has more than one power supply. Therefore, give special consideration to power coupling capacitance, power wiring, width of ground wiring, and routing of connections.
- 8. Operation Under Strong Electromagnetic Field**
Operating the IC in the presence of a strong electromagnetic field may cause the IC to malfunction.
- 9. Testing on Application Boards**
When testing the IC on an application board, connecting a capacitor directly to a low-impedance output pin may subject the IC to stress. Always discharge capacitors completely after each process or step. The IC's power supply should always be turned off completely before connecting or removing it from the test setup during the inspection process. To prevent damage from static discharge, ground the IC during assembly and use similar precautions during transport and storage.

Operational Notes – continued

10. Inter-pin Short and Mounting Errors

Ensure that the direction and position are correct when mounting the IC on the PCB. Incorrect mounting may result in damaging the IC. Avoid nearby pins being shorted to each other especially to ground, power supply and output pin. Inter-pin shorts could be due to many reasons such as metal particles, water droplets (in very humid environment) and unintentional solder bridge deposited in between pins during assembly to name a few.

11. Unused Input Pins

Input pins of an IC are often connected to the gate of a MOS transistor. The gate has extremely high impedance and extremely low capacitance. If left unconnected, the electric field from the outside can easily charge it. The small charge acquired in this way is enough to produce a significant effect on the conduction through the transistor and cause unexpected operation of the IC. So unless otherwise specified, unused input pins should be connected to the power supply or ground line.

12. Regarding the Input Pin of the IC

This monolithic IC contains P+ isolation and P substrate layers between adjacent elements in order to keep them isolated. P-N junctions are formed at the intersection of the P layers with the N layers of other elements, creating a parasitic diode or transistor. For example (refer to figure below):

When $GND > Pin A$ and $GND > Pin B$, the P-N junction operates as a parasitic diode.
 When $GND > Pin B$, the P-N junction operates as a parasitic transistor.

Parasitic diodes inevitably occur in the structure of the IC. The operation of parasitic diodes can result in mutual interference among circuits, operational faults, or physical damage. Therefore, conditions that cause these diodes to operate, such as applying a voltage lower than the GND voltage to an input pin (and thus to the P substrate) should be avoided.

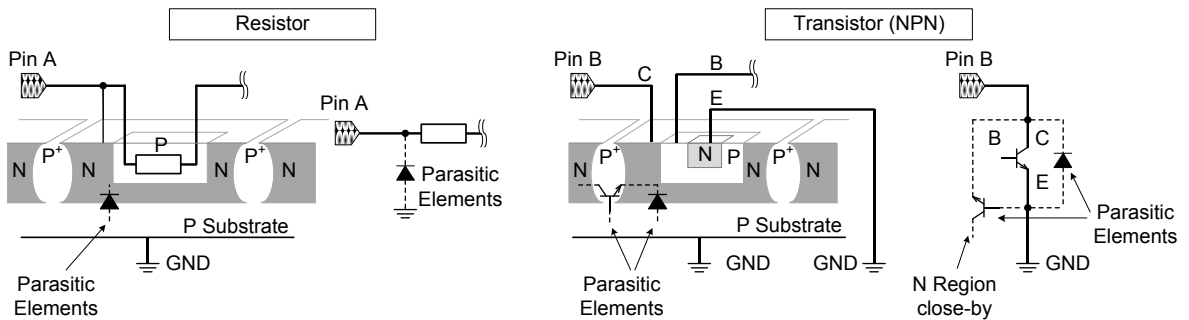
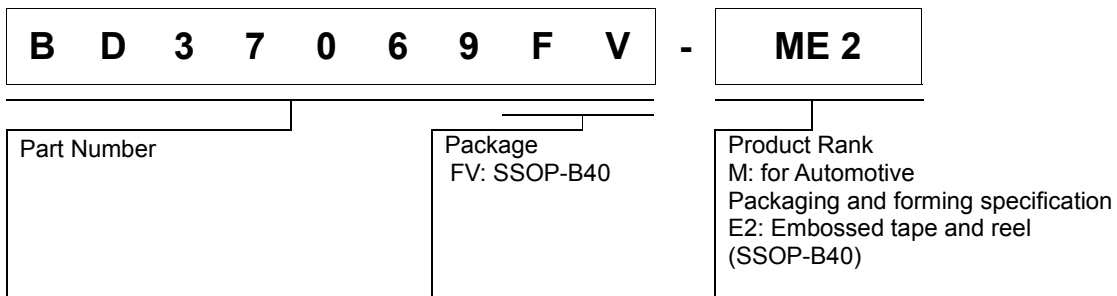
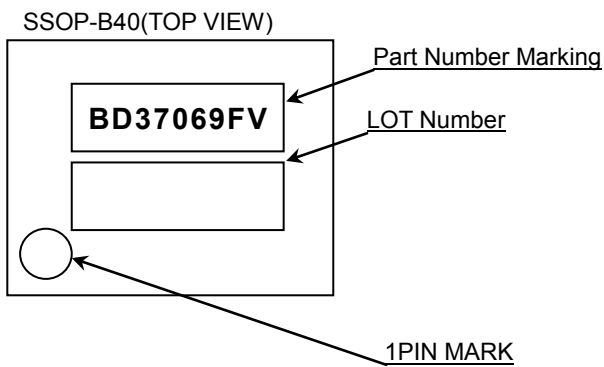


Figure 33. Example of monolithic IC structure

Ordering Information

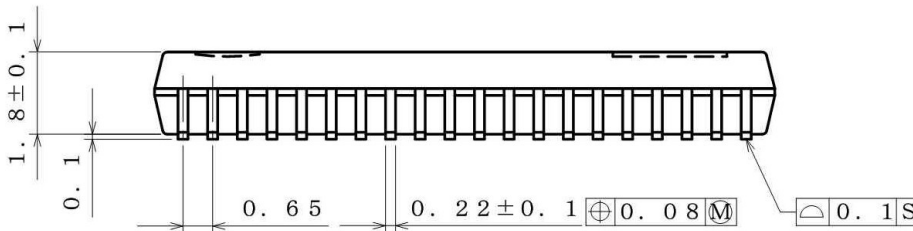
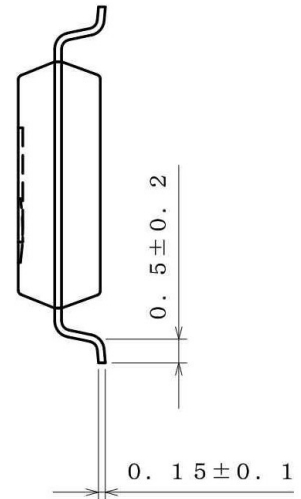
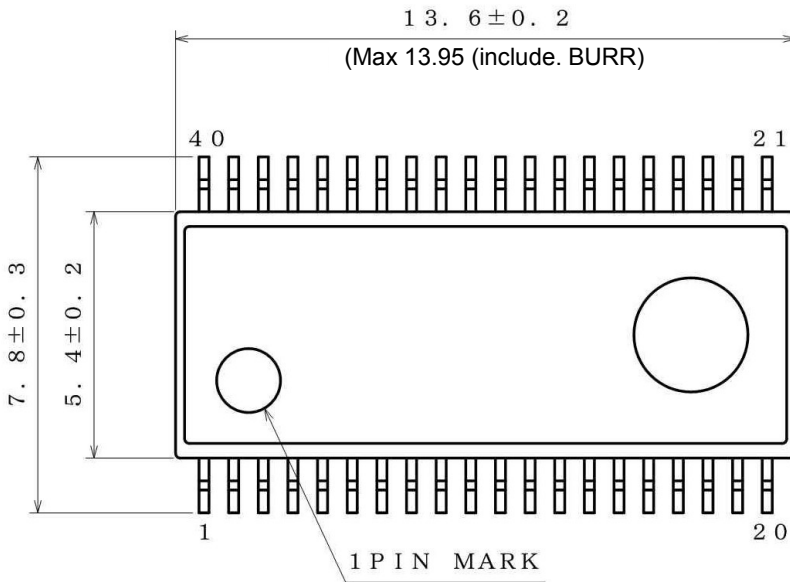


Marking Diagram



Physical Dimension, Tape and Reel Information

Package Name	SSOP-B40
--------------	----------



(UNIT ; mm)
 PKG : SSOP-B40
 Drawing No. EX157-5001

<Tape and Reel information>

Tape	Embossed carrier tape
Quantity	2000pcs
Direction of feed	E2 (The direction is the 1pin of product is at the upper left when you hold reel on the left hand and you pull out the tape on the right hand)

Reel

1pin

Direction of feed

*Order quantity needs to be multiple of the minimum quantity.

Revision History

Date	Revision	Changes
12.MAY.2016	001	New Release

Notice

Precaution on using ROHM Products

1. If you intend to use our Products in devices requiring extremely high reliability (such as medical equipment ^(Note 1), aircraft/spacecraft, nuclear power controllers, etc.) and whose malfunction or failure may cause loss of human life, bodily injury or serious damage to property ("Specific Applications"), please consult with the ROHM sales representative in advance. Unless otherwise agreed in writing by ROHM in advance, ROHM shall not be in any way responsible or liable for any damages, expenses or losses incurred by you or third parties arising from the use of any ROHM's Products for Specific Applications.

(Note1) Medical Equipment Classification of the Specific Applications

JAPAN	USA	EU	CHINA
CLASS III	CLASS III	CLASS II b	CLASS III
CLASS IV		CLASS III	

2. ROHM designs and manufactures its Products subject to strict quality control system. However, semiconductor products can fail or malfunction at a certain rate. Please be sure to implement, at your own responsibilities, adequate safety measures including but not limited to fail-safe design against the physical injury, damage to any property, which a failure or malfunction of our Products may cause. The following are examples of safety measures:
 - [a] Installation of protection circuits or other protective devices to improve system safety
 - [b] Installation of redundant circuits to reduce the impact of single or multiple circuit failure
3. Our Products are not designed under any special or extraordinary environments or conditions, as exemplified below. Accordingly, ROHM shall not be in any way responsible or liable for any damages, expenses or losses arising from the use of any ROHM's Products under any special or extraordinary environments or conditions. If you intend to use our Products under any special or extraordinary environments or conditions (as exemplified below), your independent verification and confirmation of product performance, reliability, etc. prior to use, must be necessary:
 - [a] Use of our Products in any types of liquid, including water, oils, chemicals, and organic solvents
 - [b] Use of our Products outdoors or in places where the Products are exposed to direct sunlight or dust
 - [c] Use of our Products in places where the Products are exposed to sea wind or corrosive gases, including Cl₂, H₂S, NH₃, SO₂, and NO₂
 - [d] Use of our Products in places where the Products are exposed to static electricity or electromagnetic waves
 - [e] Use of our Products in proximity to heat-producing components, plastic cords, or other flammable items
 - [f] Sealing or coating our Products with resin or other coating materials
 - [g] Use of our Products without cleaning residue of flux (even if you use no-clean type fluxes, cleaning residue of flux is recommended); or Washing our Products by using water or water-soluble cleaning agents for cleaning residue after soldering
 - [h] Use of the Products in places subject to dew condensation
4. The Products are not subject to radiation-proof design.
5. Please verify and confirm characteristics of the final or mounted products in using the Products.
6. In particular, if a transient load (a large amount of load applied in a short period of time, such as pulse. is applied, confirmation of performance characteristics after on-board mounting is strongly recommended. Avoid applying power exceeding normal rated power; exceeding the power rating under steady-state loading condition may negatively affect product performance and reliability.
7. De-rate Power Dissipation depending on ambient temperature. When used in sealed area, confirm that it is the use in the range that does not exceed the maximum junction temperature.
8. Confirm that operation temperature is within the specified range described in the product specification.
9. ROHM shall not be in any way responsible or liable for failure induced under deviant condition from what is defined in this document.

Precaution for Mounting / Circuit board design

1. When a highly active halogenous (chlorine, bromine, etc.) flux is used, the residue of flux may negatively affect product performance and reliability.
2. In principle, the reflow soldering method must be used on a surface-mount products, the flow soldering method must be used on a through hole mount products. If the flow soldering method is preferred on a surface-mount products, please consult with the ROHM representative in advance.

For details, please refer to ROHM Mounting specification

Precautions Regarding Application Examples and External Circuits

1. If change is made to the constant of an external circuit, please allow a sufficient margin considering variations of the characteristics of the Products and external components, including transient characteristics, as well as static characteristics.
2. You agree that application notes, reference designs, and associated data and information contained in this document are presented only as guidance for Products use. Therefore, in case you use such information, you are solely responsible for it and you must exercise your own independent verification and judgment in the use of such information contained in this document. ROHM shall not be in any way responsible or liable for any damages, expenses or losses incurred by you or third parties arising from the use of such information.

Precaution for Electrostatic

This Product is electrostatic sensitive product, which may be damaged due to electrostatic discharge. Please take proper caution in your manufacturing process and storage so that voltage exceeding the Products maximum rating will not be applied to Products. Please take special care under dry condition (e.g. Grounding of human body / equipment / solder iron, isolation from charged objects, setting of Ionizer, friction prevention and temperature / humidity control).

Precaution for Storage / Transportation

1. Product performance and soldered connections may deteriorate if the Products are stored in the places where:
 - [a] the Products are exposed to sea winds or corrosive gases, including Cl₂, H₂S, NH₃, SO₂, and NO₂
 - [b] the temperature or humidity exceeds those recommended by ROHM
 - [c] the Products are exposed to direct sunshine or condensation
 - [d] the Products are exposed to high Electrostatic
2. Even under ROHM recommended storage condition, solderability of products out of recommended storage time period may be degraded. It is strongly recommended to confirm solderability before using Products of which storage time is exceeding the recommended storage time period.
3. Store / transport cartons in the correct direction, which is indicated on a carton with a symbol. Otherwise bent leads may occur due to excessive stress applied when dropping of a carton.
4. Use Products within the specified time after opening a humidity barrier bag. Baking is required before using Products of which storage time is exceeding the recommended storage time period.

Precaution for Product Label

A two-dimensional barcode printed on ROHM Products label is for ROHM's internal use only.

Precaution for Disposition

When disposing Products please dispose them properly using an authorized industry waste company.

Precaution for Foreign Exchange and Foreign Trade act

Since concerned goods might be fallen under listed items of export control prescribed by Foreign exchange and Foreign trade act, please consult with ROHM in case of export.

Precaution Regarding Intellectual Property Rights

1. All information and data including but not limited to application example contained in this document is for reference only. ROHM does not warrant that foregoing information or data will not infringe any intellectual property rights or any other rights of any third party regarding such information or data.
2. ROHM shall not have any obligations where the claims, actions or demands arising from the combination of the Products with other articles such as components, circuits, systems or external equipment (including software).
3. No license, expressly or implied, is granted hereby under any intellectual property rights or other rights of ROHM or any third parties with respect to the Products or the information contained in this document. Provided, however, that ROHM will not assert its intellectual property rights or other rights against you or your customers to the extent necessary to manufacture or sell products containing the Products, subject to the terms and conditions herein.

Other Precaution

1. This document may not be reprinted or reproduced, in whole or in part, without prior written consent of ROHM.
2. The Products may not be disassembled, converted, modified, reproduced or otherwise changed without prior written consent of ROHM.
3. In no event shall you use in any way whatsoever the Products and the related technical information contained in the Products or this document for any military purposes, including but not limited to, the development of mass-destruction weapons.
4. The proper names of companies or products described in this document are trademarks or registered trademarks of ROHM, its affiliated companies or third parties.

General Precaution

1. Before you use our Products, you are requested to carefully read this document and fully understand its contents. ROHM shall not be in any way responsible or liable for failure, malfunction or accident arising from the use of any ROHM's Products against warning, caution or note contained in this document.
2. All information contained in this document is current as of the issuing date and subject to change without any prior notice. Before purchasing or using ROHM's Products, please confirm the latest information with a ROHM sales representative.
3. The information contained in this document is provided on an "as is" basis and ROHM does not warrant that all information contained in this document is accurate and/or error-free. ROHM shall not be in any way responsible or liable for any damages, expenses or losses incurred by you or third parties resulting from inaccuracy or errors of or concerning such information.