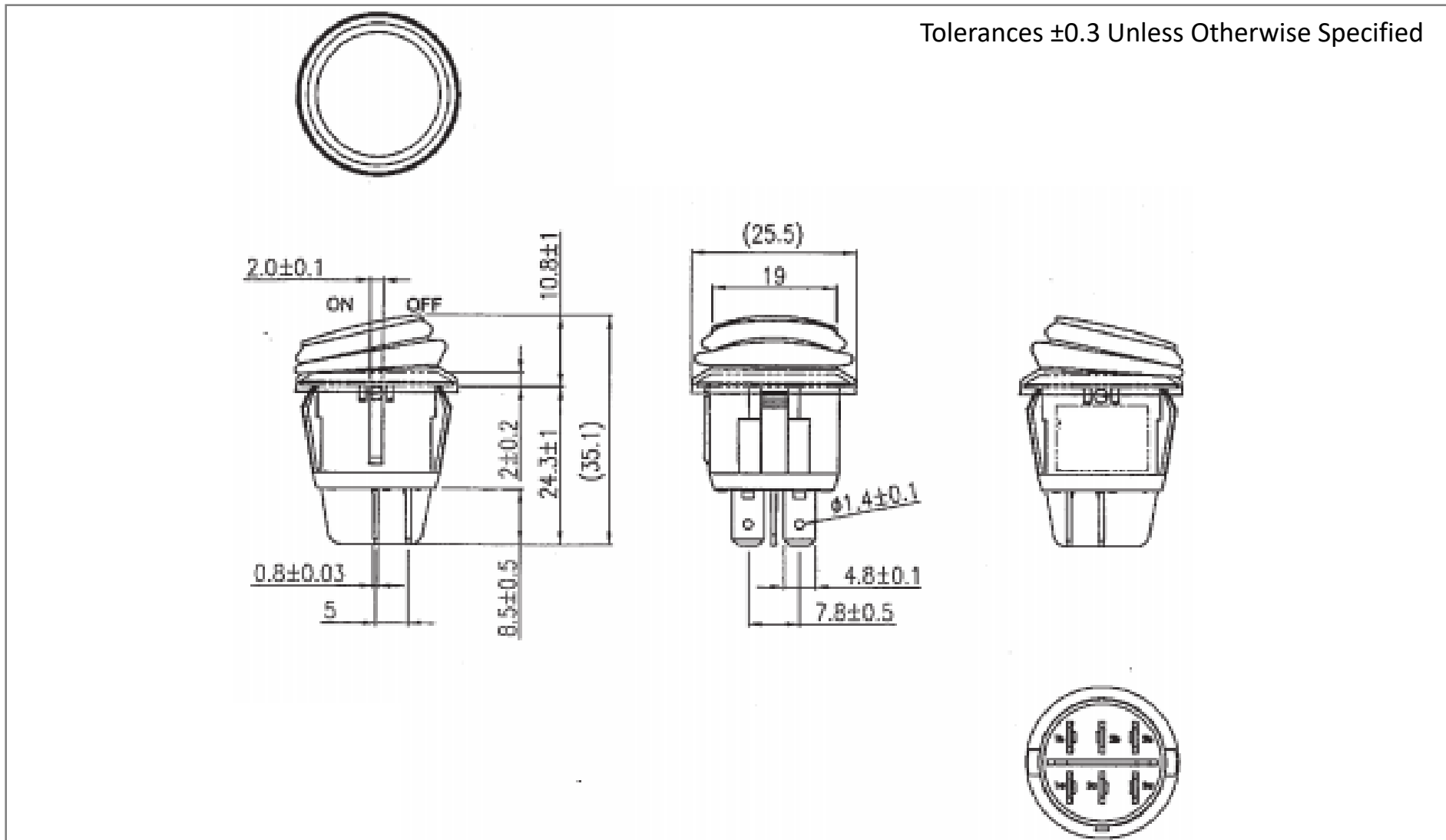
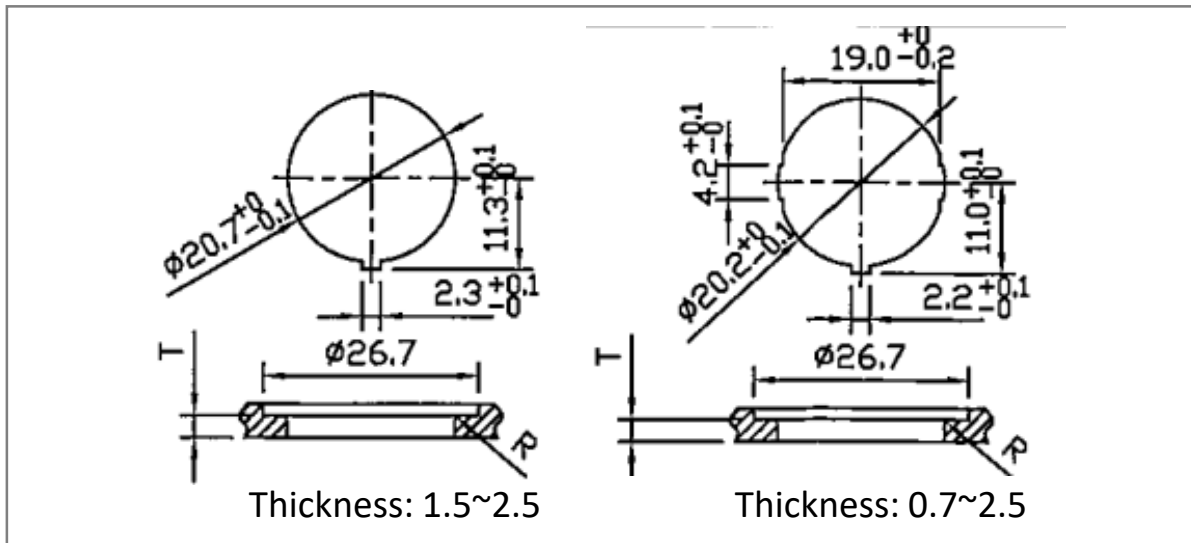


Mechanical Dimensions (mm)

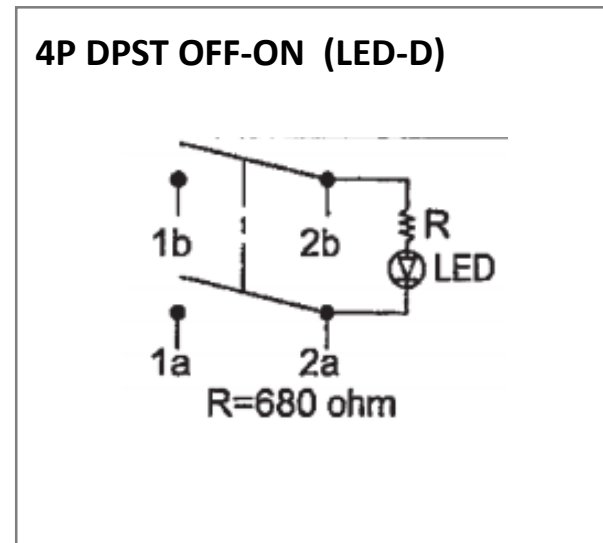


Tolerances ±0.3 Unless Otherwise Specified

Mounting Hole



Circuit Diagram



Electrical Specifications

|                       |                       |
|-----------------------|-----------------------|
| Rating                | 20A 14V DC            |
| Contact Resistance    | 50m ohm Max.          |
| Insulation Resistance | DC 500V 100M ohm Min. |
| Dielectric Strength   | AC 1500V 1 minute     |
| Operation Temperature | -25°C~85°C            |

Material Specifications

|            |                         |
|------------|-------------------------|
| Frame      | Black, Nylon#66 (94-V2) |
| Actuator   | Red, PC                 |
| LED        | Red (Dependent)         |
| Waterproof | IP65                    |