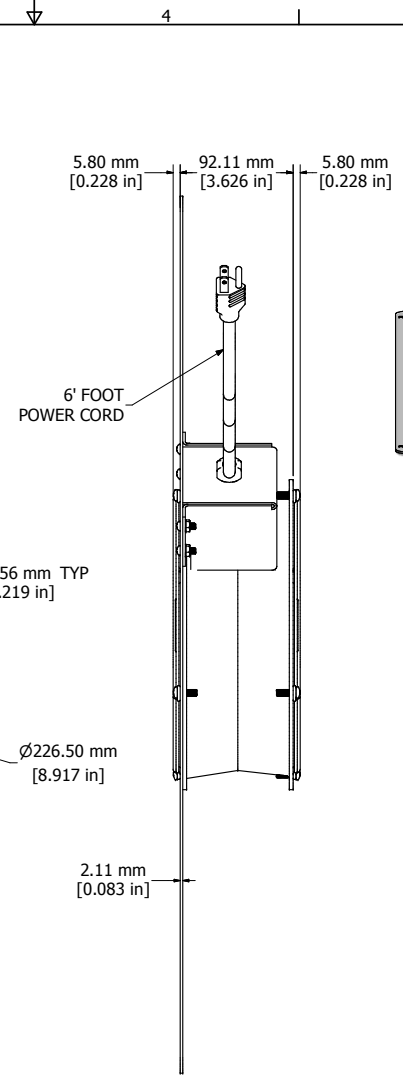


ASSEMBLY - VIEW FROM TOP



ASSEMBLY - VIEW FROM SIDE



ISOMETRIC VIEW

<b>C2T2436F10</b>	
Finish - Top - Painted Steel	
- Finger Guard - Chrome Plated	
Rated - 115 VAC, 50/60 Hz, 0.29 Amps	
Free Flow Air Delivery - 550 CFM	
Approvals - cURus Recognized UL507 and CSA C22.2 No.113	
<b>COLOURS</b>	
Black - C2T2436F10BK1	
Beige - C2T2436F10CG1	
<b>HARDWARE</b>	
6 Screws - RoundHead 8-32 x 1/2"	
6 Speed Nuts	



**HAMMOND  
MANUFACTURING™**

**C2T2436F10**

www.hammondmfg.com