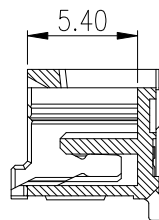
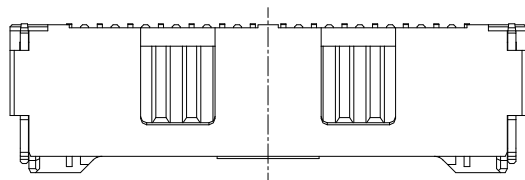


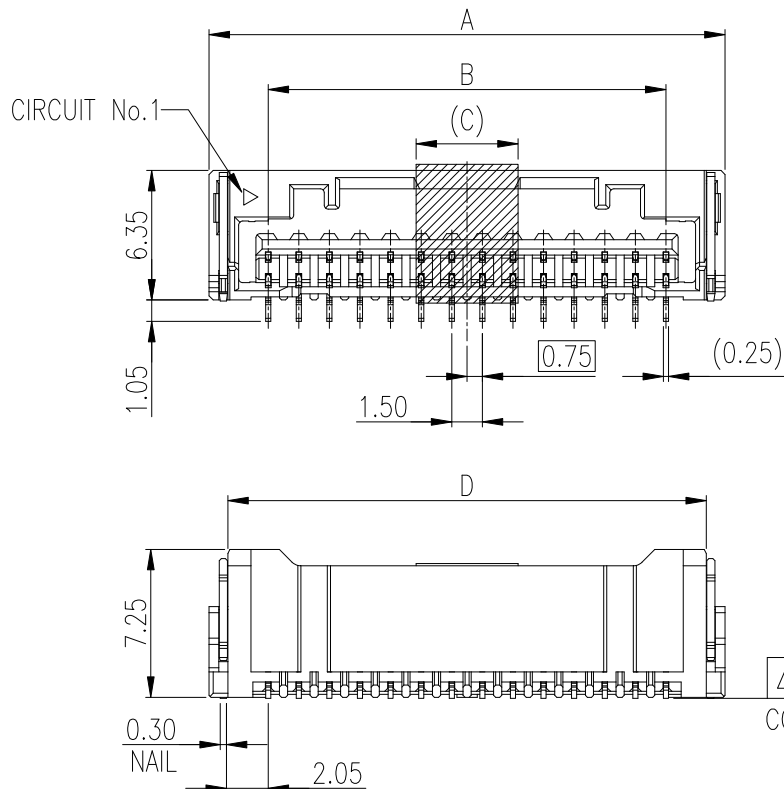
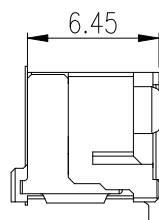


PRODUCT NUMBER

10135177-XXXXXLF

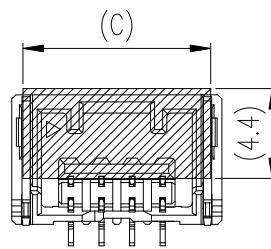


SECTION A-A



0.10

CONTACT & NAIL



MYLAR FIGURE OF 2P~6P CIRCUIT

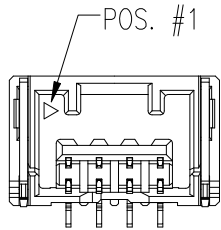
NOTE:

- MATERIAL SPECIFICATION:
 - INSULATION: HIGH TEMP. THERMOPLASTIC, UL 94V-0.
 - CONTACT: COPPER ALLOY
 - NAIL: COPPER ALLOY
 - FINISH SPECIFICATION:
 - CONTACT: Ni UNDERPLATE. SEE P/N FOR PLATING ON CONTACT AREA AND TAILS.
 - NAIL: TIN PLATE OVER Ni UNDERPLATE.
 - RoHS & HF COMPLIANCE
 - PART NO SCHEME:
10135177- XX X X X LF
- No. OF POS.: 02~15
- HSG COLOR: 1: NATURAL
- PLATING: 1: TIN
- PACKAGE: 1: TAPE AND REEL
- THE CONNECTOR MATES WITH FCI WIRE CONNECTOR, HSG 10135175 AND CRIMPED TERMINAL 10135176
 - THE HOUSING WILL WITHSTAND EXPOSURE TO 260°C PEAK TEMPERATURE 10 SEC. IN A CONVECTION REFLOW OVEN.
 - PRODUCT SPECIFICATION: GS-12-1321
 - PACKAGE SPECIFICATION: GS-14-2471
 - DIMENSIONAL TABLE:

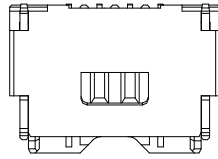
Pos.	A	B	C	D
02	7.30	—	6.10	5.5
03	8.80	3.00	7.60	7.0
04	10.30	4.50	9.10	8.5
05	11.80	6.00	10.60	10.0
06	13.30	7.50	12.10	11.5
07	14.80	9.00	5.00	13.0
08	16.30	10.50	5.00	14.5
09	17.80	12.00	5.00	16.0
10	19.30	13.50	5.00	17.5
11	20.80	15.00	5.00	19.0
12	22.30	16.50	5.00	20.5
13	23.80	18.00	5.00	22.0
14	25.30	19.50	5.00	23.5
15	26.80	21.00	5.00	25.0

mat'l. code		surface		tolerance		projection		product family	
ltr		ecn no		dr		date		MINITEK 1.5mm WTB	
A		TAI		2015-06-16		angles		title	
						linear		MINITEK 1.5mm, RECEPTACLE	
						±2'		CONNECTOR, VERTICAL MOUNT, SMT	
						dr		scale	
						KENNY TAI		2015-05-08	
						enr		KENNY TAI	
						2015-05-08		dwg no	
						chr		KENNY TAI	
						2015-06-10		sheet 1 of 2	
						appd		PM ZHENG	
						2015-06-16		10135177	
								size	
								A4	
								type	
								CUSTOMER Drawing	
sheet index	revision sheet	A	A	1	2				

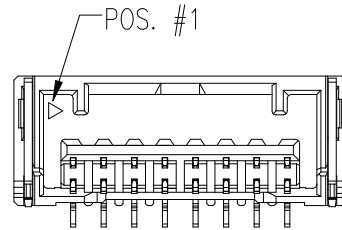
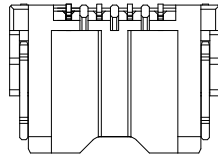
PRODUCT NUMBER
10135177-XXXXXL



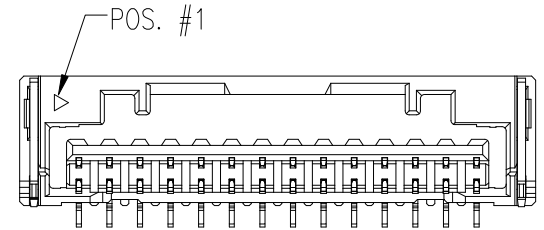
CASE OF 2~5 POSITIONS



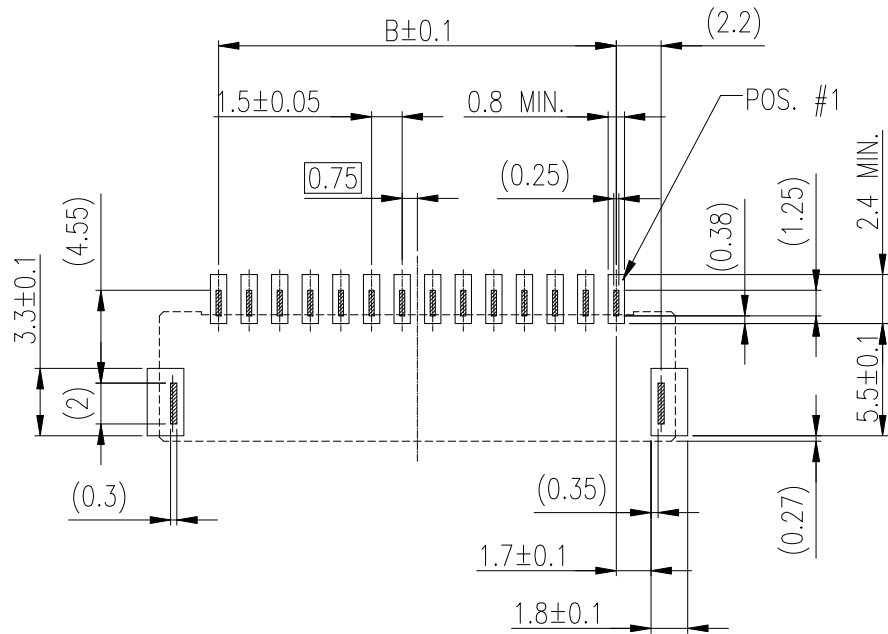
CASE OF 2~5 POSITIONS



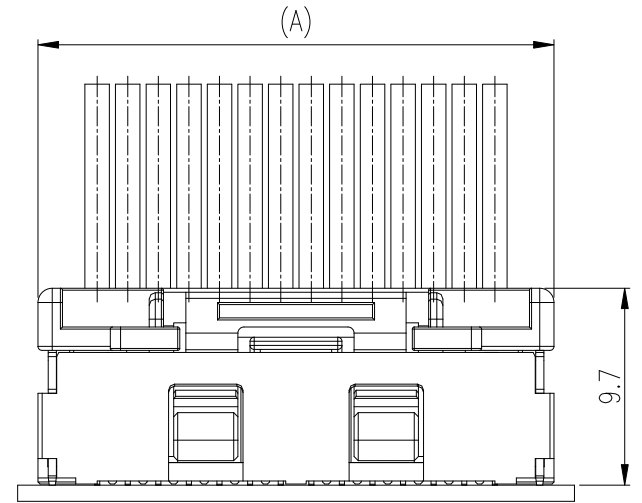
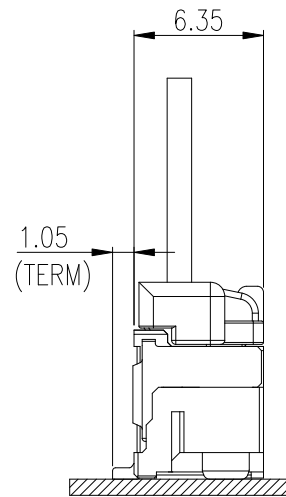
CASE OF 6~11 POSITIONS



CASE OF 12~15 POSITIONS



RECOMMENDED P.C.B BOARD LAYOUT
GENERAL TOLERANCE ±0.05



MATED CONNECTORS

mat'l. code		surface		tolerance		projection		product family	
ltr		ecn no		dr		date		MINITEK 1.5mm WTB	
angles		±2'		linear		mm		title	
dr		enr		chr		appd		MINITEK 1.5mm, RECEPTACLE CONNECTOR, VERTICAL MOUNT, SMT	
sheet index		revision sheet		A		A		scale	
1		2						dwg no	
								sheet 2 of 2	
								size	
								A4	
								10135177	
								type	
								CUSTOMER Drawing	