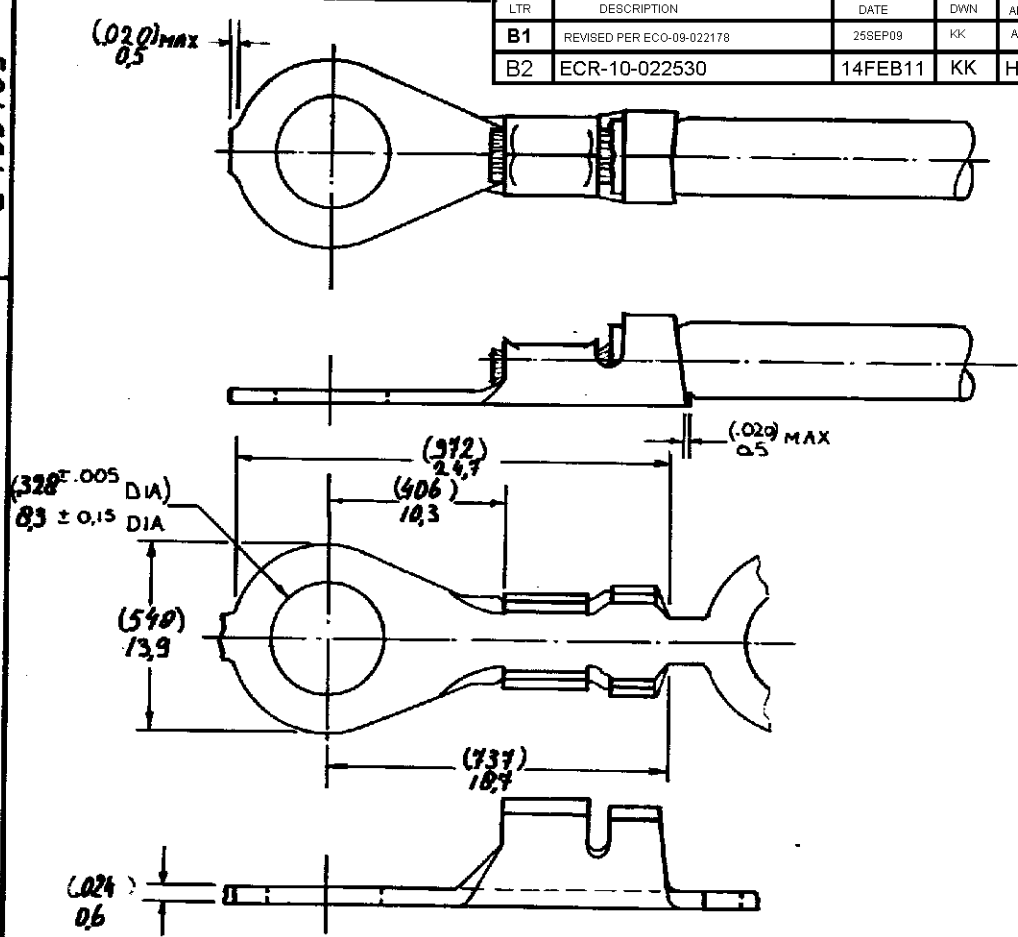


DRAWING MADE IN AMERICAN PROJECTION

REVISIONS

LTR	DESCRIPTION	DATE	DWN	APVD
B1	REVISED PER ECO-09-022178	25SEP09	KK	AEG
B2	ECR-10-022530	14FEB11	KK	HMR

NUMBER C-160789



- ① REEL WITH PAPER COVER
- ② OBSOLETE PARTS: OBSOLETE CIS STREAMLINING PER D.RENAUD/D.SINISI
- ③ OBSOLETE

DIMENSIONS IN INCHES DO NOT SCALE PRINT

160789-5	PH. BRONZE	—	—	①
② 160789-4	BRASS	—	—	①
160789-3	PHOSPHOR BR.	—	—	
160789-2	BRASS	TIN PLATED	—	
460780-4	BRASS	—	—	
ORDER NO.	MATERIAL	PLATING		
CHK <i>[Signature]</i>	S/ DATE 12-79	DE	DATE	
CHK KK	DATE 25/09/09	AE	DATE	

CUSTOMER COPY FOR REFERENCE ONLY

©1979 BY TE-HOLLAND N.V. ALL RIGHTS RESERVED TE PRODUCTS COVERED BY PATENTS AND/OR PATENTS PENDING.

TE
TE Connectivity

WIRE RANGE 10-25	RESUL. RANGE (100 - 150) / (2.54 - 3.81)	FIRST USED
SCALE N.T.S.	LOC H	SIZE A
NO C-160789	REV B2	NAME RING TONGUE