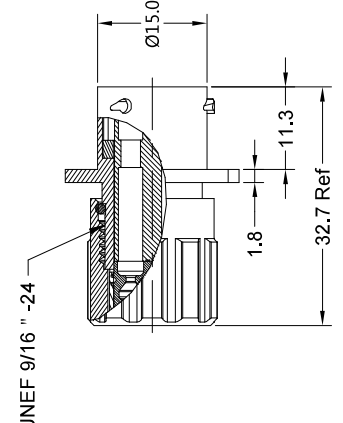
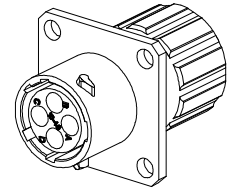
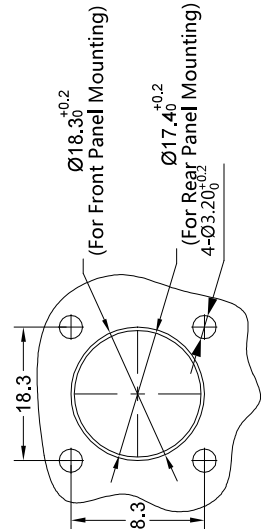
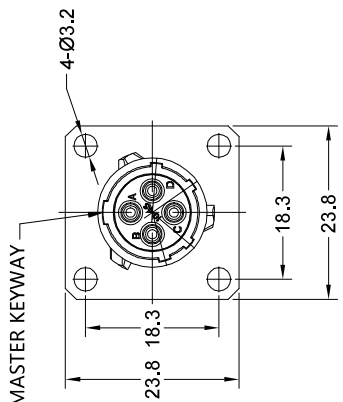
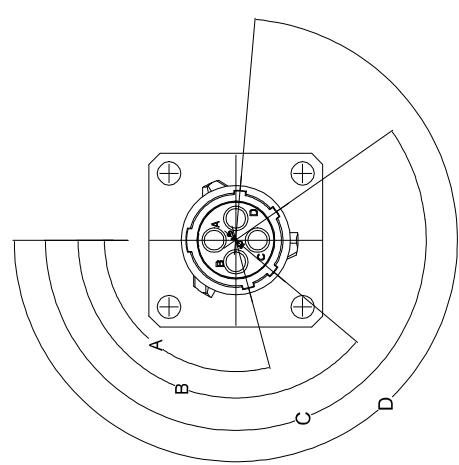


REV	ECO	DESCRIPTION	DATE	BY	APPR
B1	-	RELEASED DRAWING	Nov-17-2014	Ben	Tommy
B2	-	VOLTAGE UPDATE AND ADD KEY ICON	Jun-17-2020	Flan	Tommy

REVISIONS



- NOTES : (UNLESS OTHERWISE SPECIFIED)
- MATERIAL :
 - SHELL : ZINC ALLOY , NICKEL PLATED.
 - INSERT : THERMOPLASTIC , UL94 V-0.
 - END CAP : THERMOPLASTIC , UL94 V-0.
 - PLASTIC BUSHING : THERMOPLASTIC , UL94 V-0.
 - O-RING : NBR/SILICONE RUBBER.
 - WIRE SEAL : SIICONE RUBBER.
 - SPECIFICATIONS :
 - 2.1 RATED CURRENT : 13A (MAX).
 - 2.2 RATED VOLTAGE : 500V (AC/DC) . B2
 - 2.3 OPERATING TEMPERATURE : SEE CHART.
 - 2.4 DIELECTRIC WITHSTANDING VOLTAGE : LESS THAN 2 MILLIAMPS CURRENT LEAKAGE@2000 VOLTS AC.
 - 2.5 INSULATION RESISTANCE : 5000 MEGOHMS MIN.
 - 2.6 IP--CLASS : IP67(MATED CONDITION).
 - 2.7 MATING CYCLES DURABILITY : 500 CYCLES MIN.
 - 2.8 RoHS COMPLIANT.
 - SUITABLE CONTACTS : 16# CONTACTS.
 - ALL DIMENSIONS ARE FOR REFERENCE USE ONLY.
 - CONTACT SIZE AND REAR SEAL WIRE RANGE :

CONTACT SIZE	MIN. INSUL O.D.	MAX. INSUL O.D.
16#	Ø2.0mm	Ø3.2mm

KEY POS	PART NUMBER		A	B	C	D
	-40°C ~ 105°C	-40°C ~ 125°C				
N	RT00104SNHEC	RT00104SNHEC03	105°	140°	215°	265°
W	RT00104SWHEC	RT00104SWHEC03	45°	140°	215°	265°
X	RT00104SXHEC	RT00104SXHEC03	105°	160°	215°	265°
Y	RT00104SYHEC	RT00104SYHEC03	105°	140°	225°	265°
Z	RT00104SZHEC	RT00104SZHEC03	105°	140°	215°	295°

QUANTITY	SEE PART NUMBER CHART	PART NUMBER	DESCRIPTION	ITEM												
MATERIALS LIST																
UNLESS OTHERWISE SPECIFIED: 1) All dimensions are in millimeters. 2) Tolerances are as follows: 3 PL DEC 03.15 Angles 90° 3) Note reference = B2		<table border="1"> <thead> <tr> <th>SIGNATURES</th> <th>DATE</th> </tr> </thead> <tbody> <tr> <td>DRASER: Flan</td> <td>Jun-17-2020</td> </tr> <tr> <td>CHECKED: Olan</td> <td>Jun-18-2020</td> </tr> <tr> <td>ENGINEER: Tommy</td> <td>Jun-18-2020</td> </tr> <tr> <td>APPROVAL:</td> <td></td> </tr> <tr> <td>CUSTOMER:</td> <td></td> </tr> </tbody> </table>			SIGNATURES	DATE	DRASER: Flan	Jun-17-2020	CHECKED: Olan	Jun-18-2020	ENGINEER: Tommy	Jun-18-2020	APPROVAL:		CUSTOMER:	
SIGNATURES	DATE															
DRASER: Flan	Jun-17-2020															
CHECKED: Olan	Jun-18-2020															
ENGINEER: Tommy	Jun-18-2020															
APPROVAL:																
CUSTOMER:																
MATERIAL SPECIFICATIONS		<p>Amphenol Sine Systems - www.amphenol-sine.com 44724 Motley Drive Clinton Township, MI 48036</p>														
PROCESS SPECIFICATIONS		<p>ECOMATE RM RECEPTACLE SIZE 10,4POS, SOCKET, END CAP.</p>														
NEXT ASST.		<table border="1"> <thead> <tr> <th>SIZE</th> <th>TYPE</th> <th>DWG NO.</th> <th>SHEET</th> <th>OF</th> </tr> </thead> <tbody> <tr> <td>B</td> <td>C-</td> <td>RT00104S*HEC*</td> <td>1</td> <td>1</td> </tr> </tbody> </table>			SIZE	TYPE	DWG NO.	SHEET	OF	B	C-	RT00104S*HEC*	1	1		
SIZE	TYPE	DWG NO.	SHEET	OF												
B	C-	RT00104S*HEC*	1	1												