



Spartan

MA650.A.AB.002

Specification

Part No.	MA650.A.AB.002
Product Name	Spartan 2in1 MA.650 with 10M cable length Low Profile Screw Mount (Permanent Mount) GPS/GLONASS Cellular combination antenna
Feature	Cellular <ul style="list-style-type: none"> • 850/900/1700/1800/2100MHz • GSM/CDMA/UMTS/HSPA GPS/GLONASS - 5dBic IP67 Waterproof High Efficiency / Peak Gain Outdoor Antenna Advanced RF Design and Materials Heavy Duty – Integrated Metal Base / Ground-plane Standard 10 meters low loss cables Custom cables and connectors available RoHS Compliant

1. Introduction

The Spartan MA.650 antenna is a low profile, heavy-duty, fully IP67 waterproof external M2M antenna for use in telematics, transportation and remote monitoring applications. With a standard length of 10 meters of very low loss cable it is specially designed suitable for e-Bus or train telematics applications where long cable lengths are needed.

The Spartan MA.650 antenna is unique in the market because it combines 2in1 GPS, Cellular (2G and 3G) antennas in a heavy-duty structure with high efficiency in a low profile compact format.

The antenna screws down permanently onto a roof or metal panel and can be pole or wall-mounted.

The antennas are designed to be isolated from each other to prevent cross-interference.

For industries such as commercial vehicle telematics, remote monitoring, smart meter systems, construction equipment, at only 40mm high, the Spartan provides an unobtrusive, robust, rugged antenna that is durable even in extreme environments.

2. Specification

Electrical – GPS/GLONASS Passive Antenna

Frequency	1575.42 ± 3MHz 1602 ± 3MHz
Radiation Efficiency	50%
Peak Gain	4 ±1 dBic typ.
VSWR	2:1 Max
Polarization	Linear
Impedance	50Ω

Electrical - LNA

Frequency (MHz)	1575.42 ± 3MHz 1602 ± 3MHz		
Impedance	50 Ω		
VSWR	2:1 Max		
DC Power Input	3.3V	4V	5V
Gain @3.3V	28dB	28dB	28dB
Noise Figure	1.50dB	1.55dB	1.62dB
Power Consumption	8mA	10mA	13mA
Band Attenuation	±50MHz 30dB	±70MHz 30dB	±100MHz 30dB

2. Specification

Electrical – Cellular Antenna

Frequency (GHz)	824~896	880~960	1710~1880	1850~1990	1920~2170
Peak Gain (dBi) *	-0.5	-0.5	-1.0	-0.5	-0.8
Avg. Gain (dBi) *	-5.8	-5.6	-5.4	-5.3	-5.5
Efficiency (%) *	29	28	30	27.9	28
VSWR	3 Max				
Polarization	Linear				
Radiation pattern	Omni				

*Including 10 meters cable loss

Mechanical

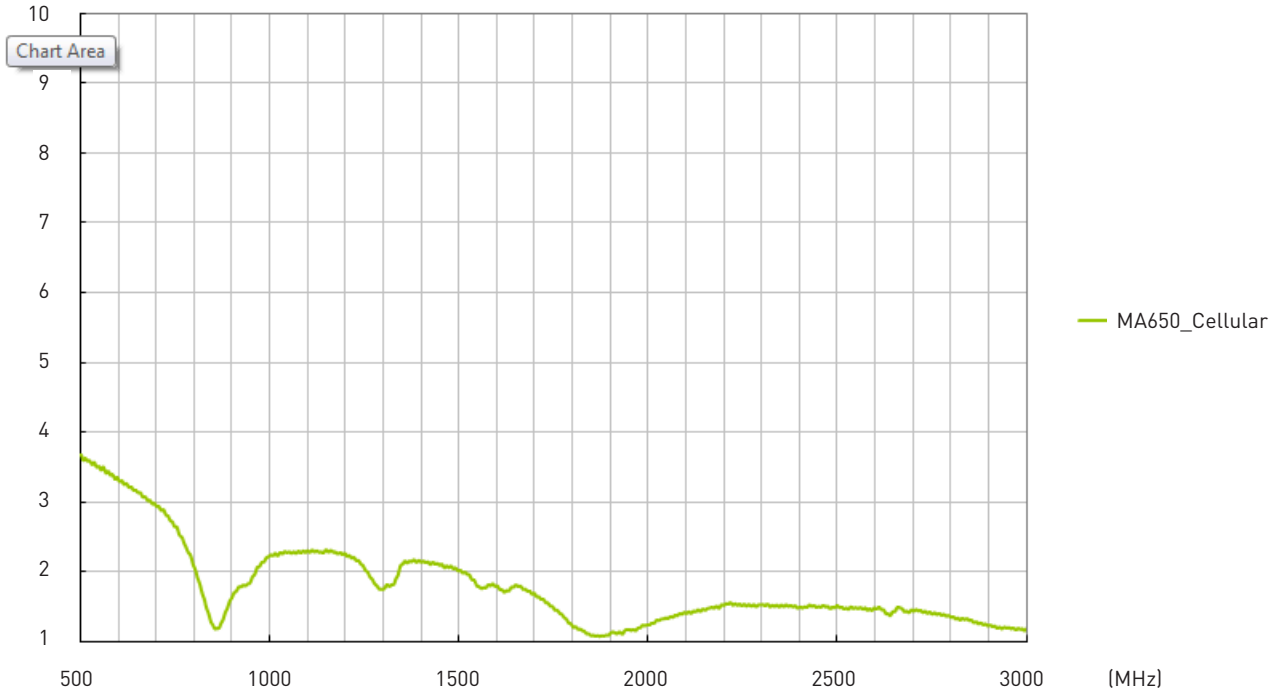
Antenna Dimensions	Height 50mm x Diameter 150mm
Housing	PC
Base and thread	Nickel plated Zinc
Waterproof	IP67

Environmental

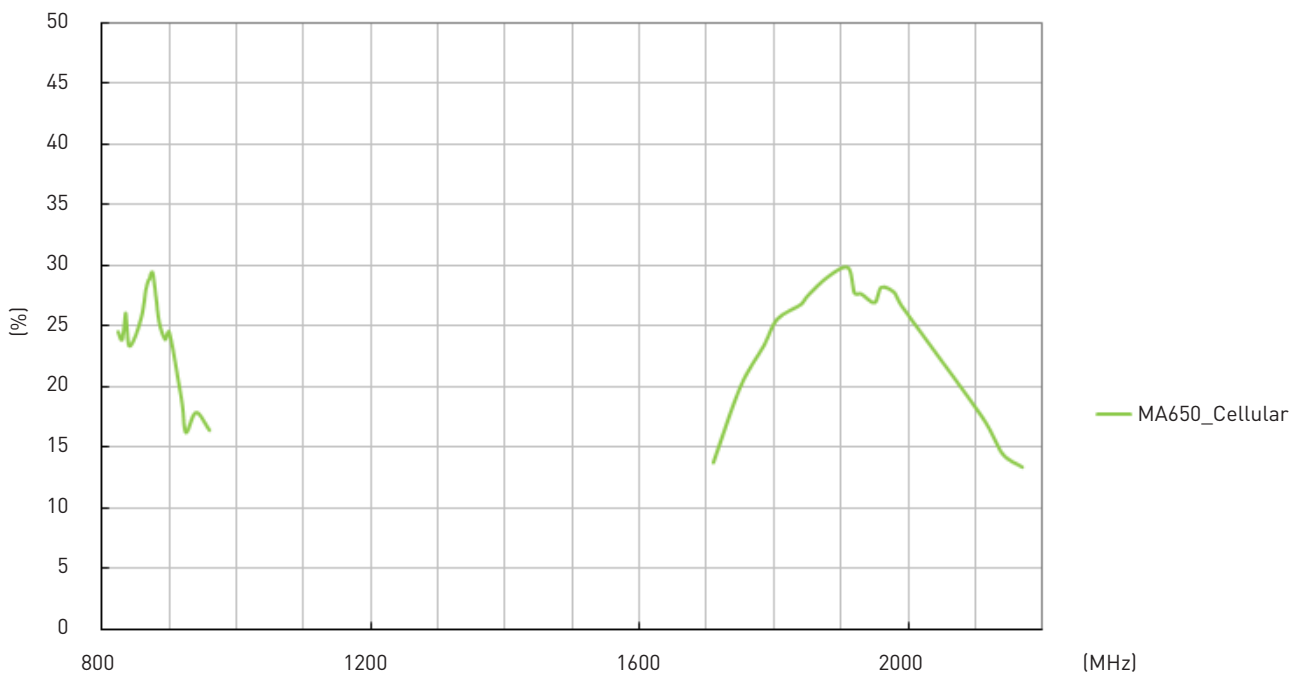
Operating Temperature	-40°C to 85°C
Storage Temperature	-40°C to 80°C
Humidity	Non-condensing 65°C 95% RH

3. Cellular Antenna Characteristics

3.1 VSWR

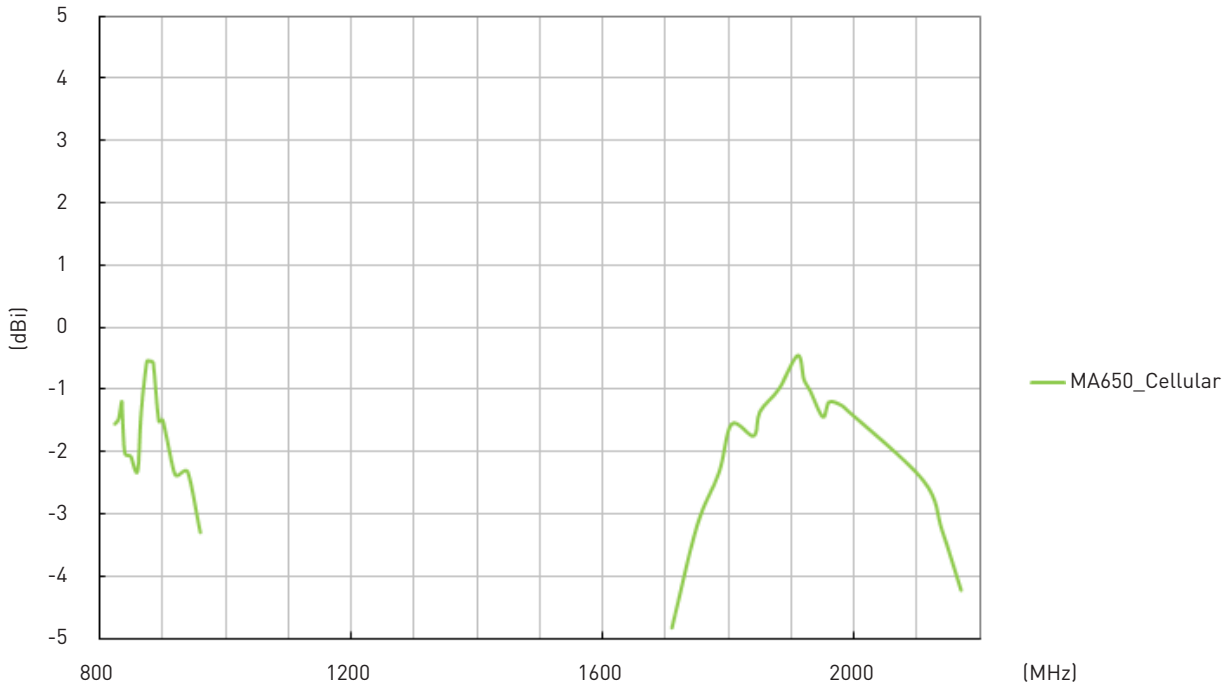


3.2 Efficiency

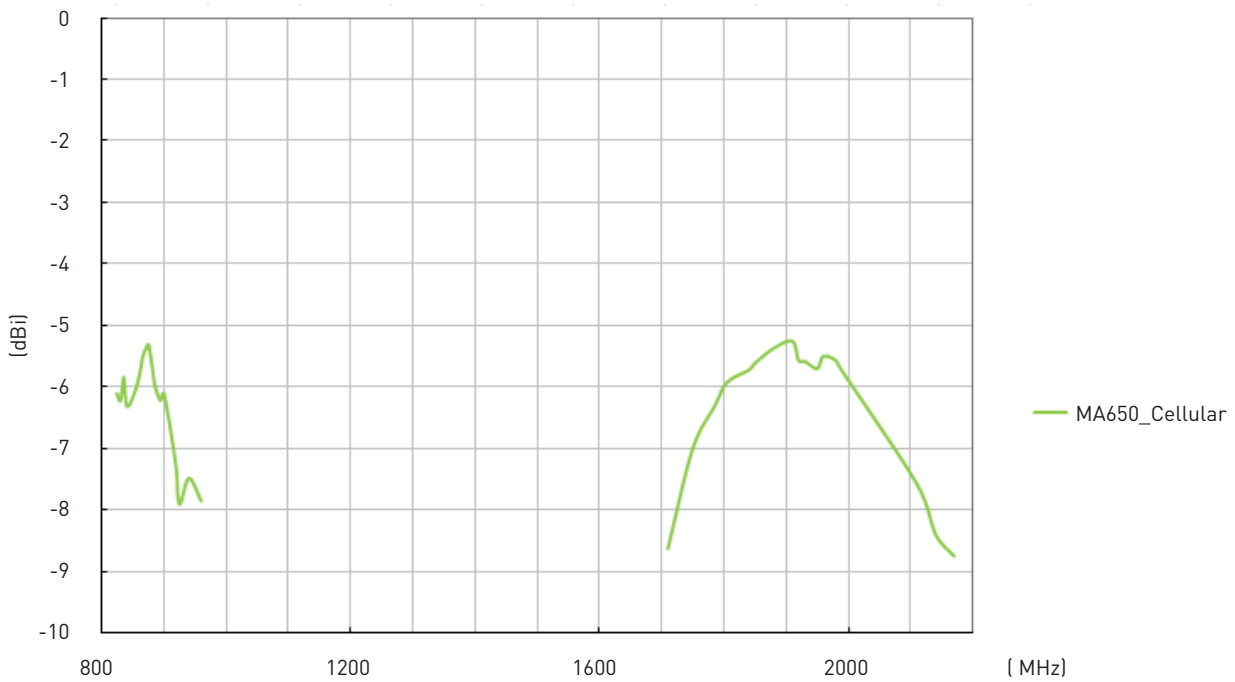


3. Cellular Antenna Characteristics

3.3 Peak Gain

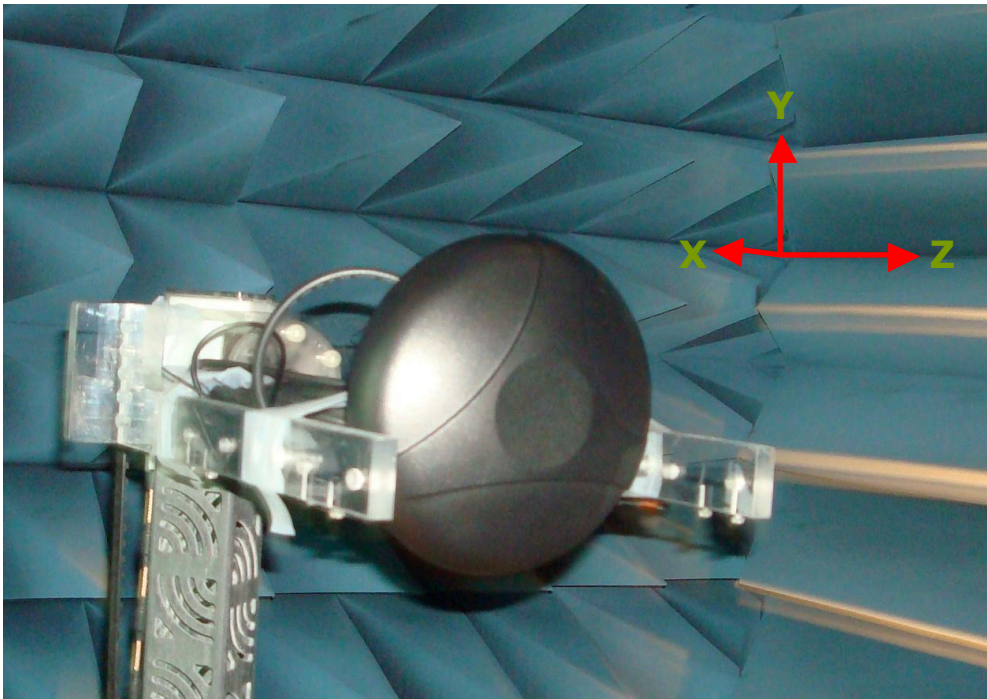


3.4 Average Gain



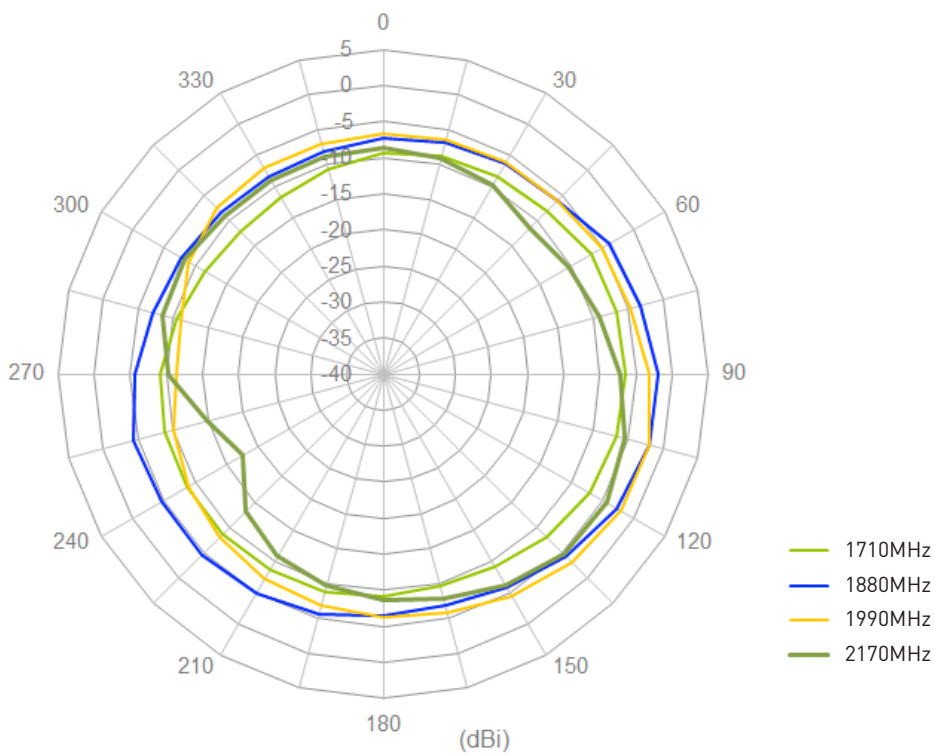
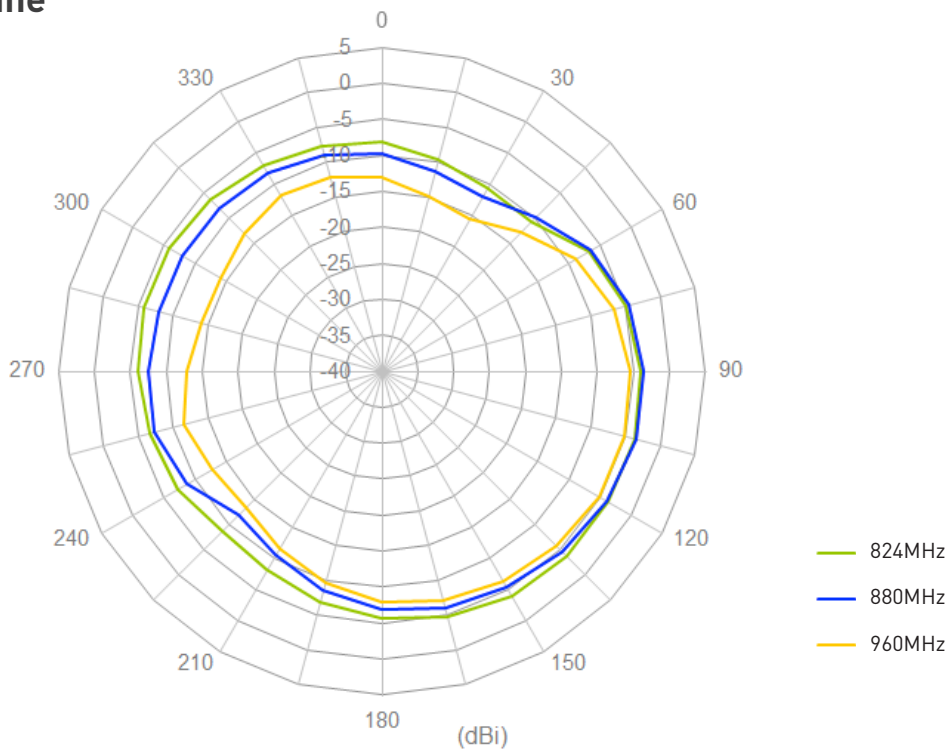
4. Radiation Patterns - Cellular

4.1 Antenna Setup



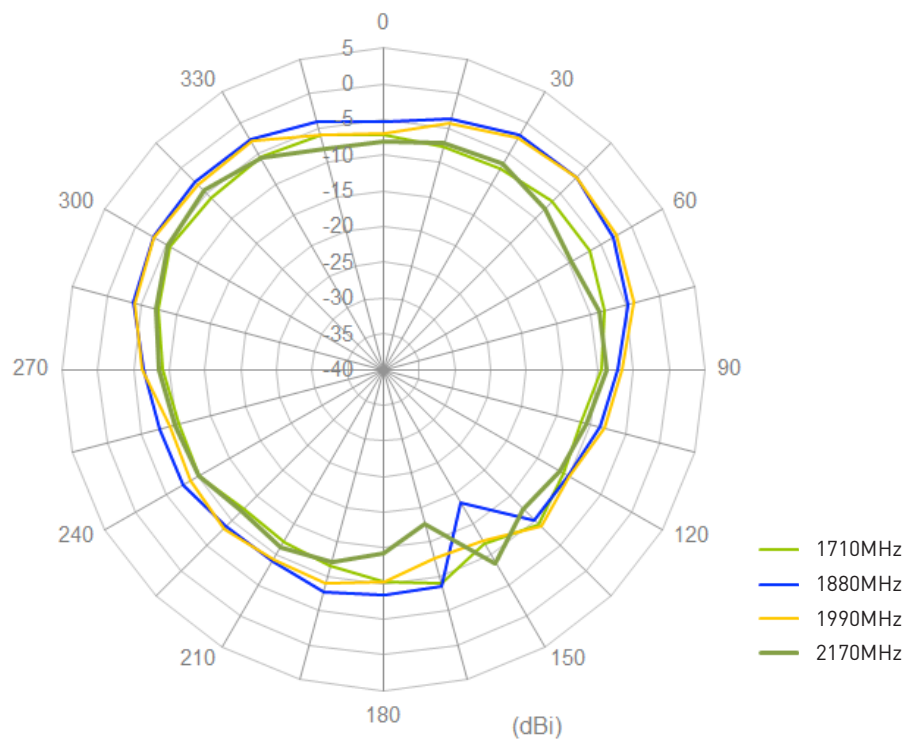
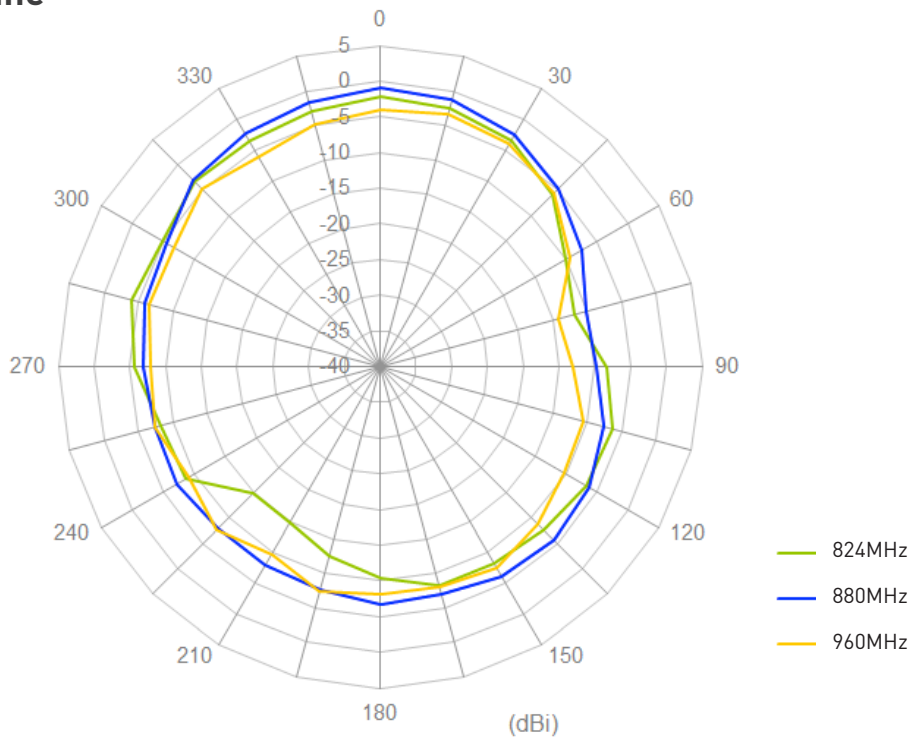
4. Radiation Patterns - Cellular

4.2 XY Plane



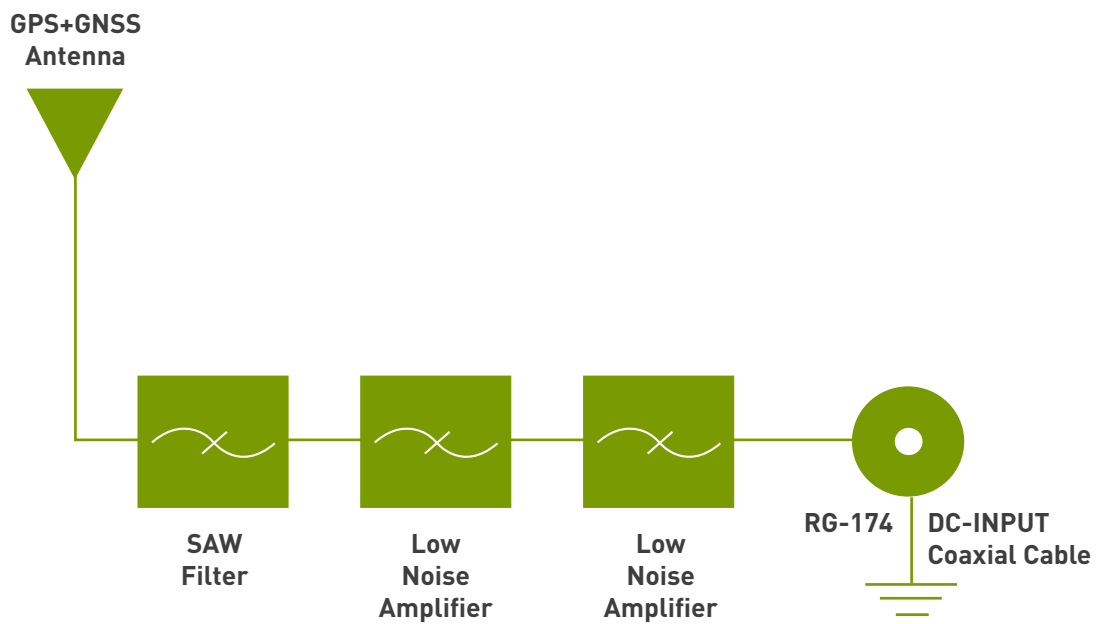
4. Radiation Patterns - Cellular

4.3 XZ Plane



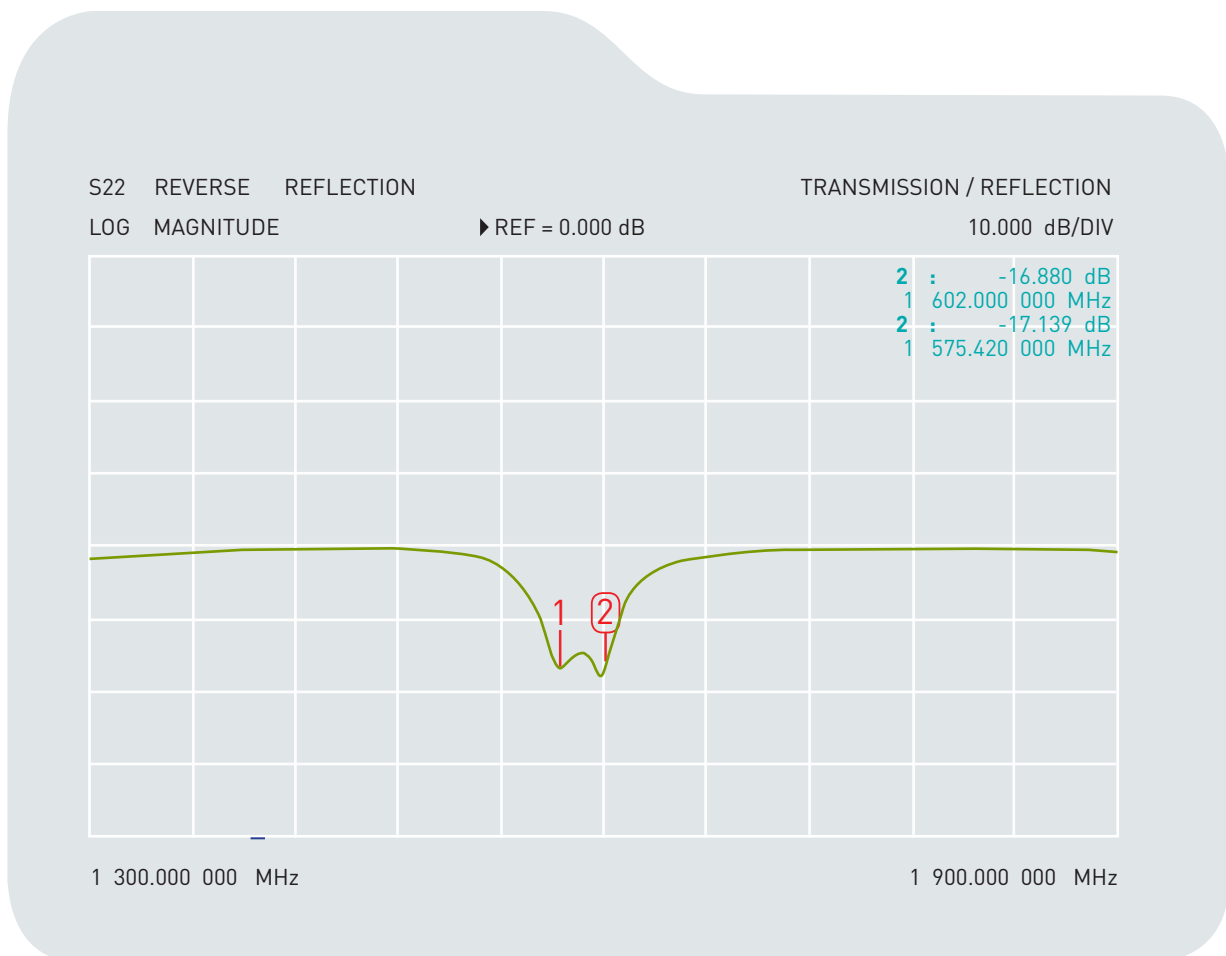
5. GPS/Glonass Antenna Characteristics

5.1 Block Diagram



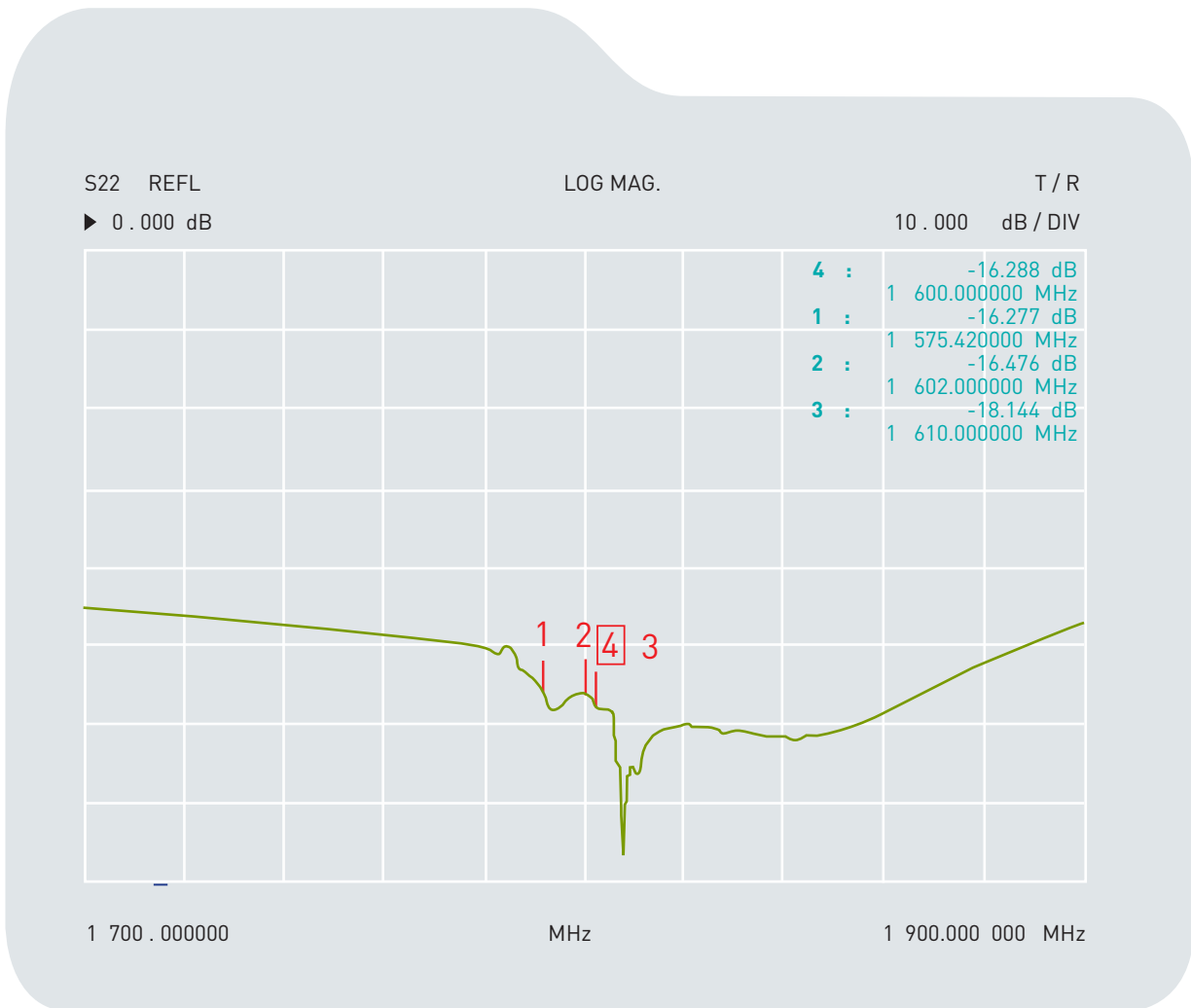
5. GPS/Glonass Antenna Characteristics

5.2 Return Loss



5. GPS/Glonass Antenna Characteristics

5.3 LNA S22



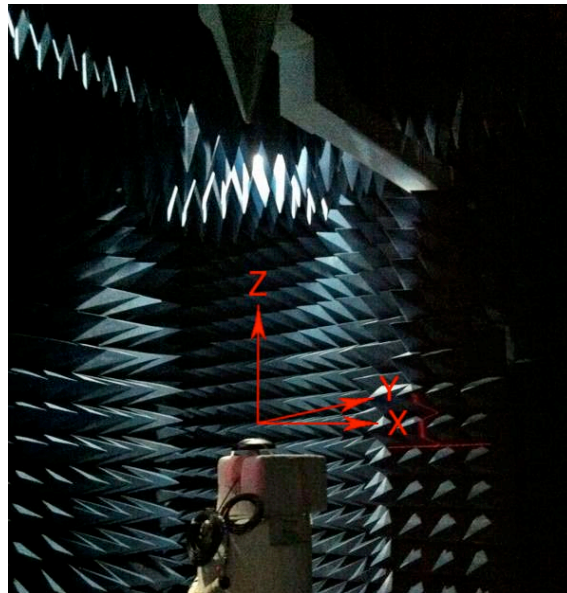
5. GPS/Glonass Antenna Characteristics

5.4 LNA S21



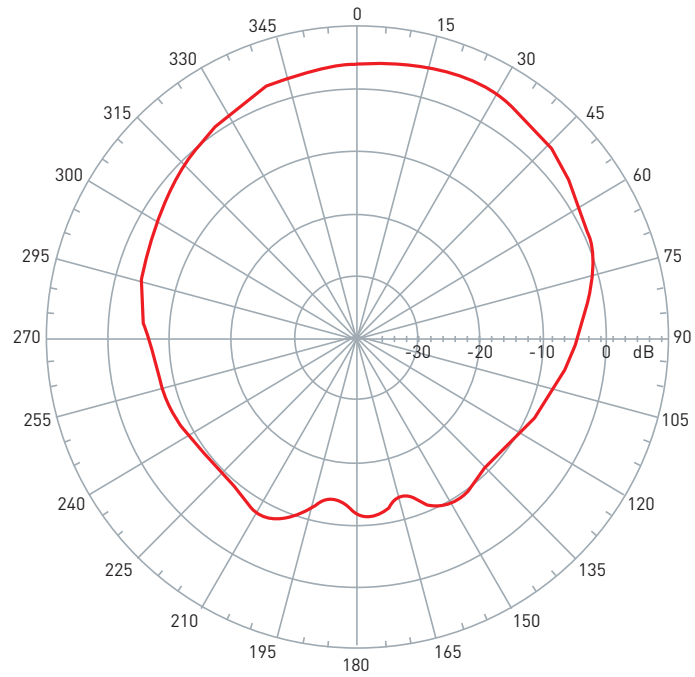
6. Radiation Patterns - GPS/GLONASS

6.1 Antenna Setup

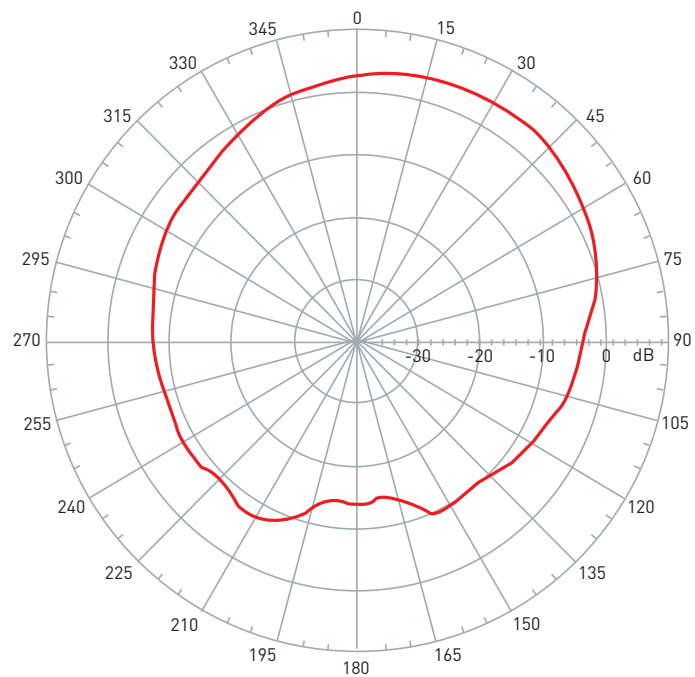


6.2 XZ Plane

6.2.1 1575MHz

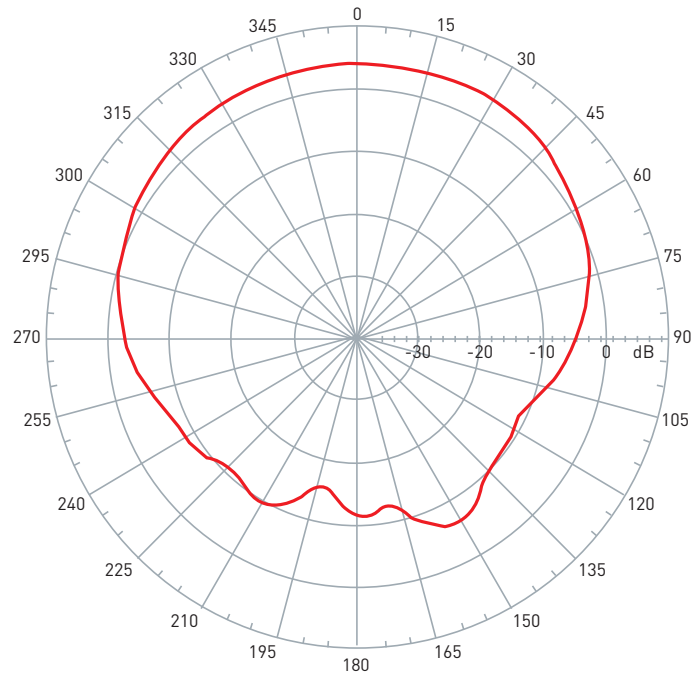


6.2.2 1602MHz

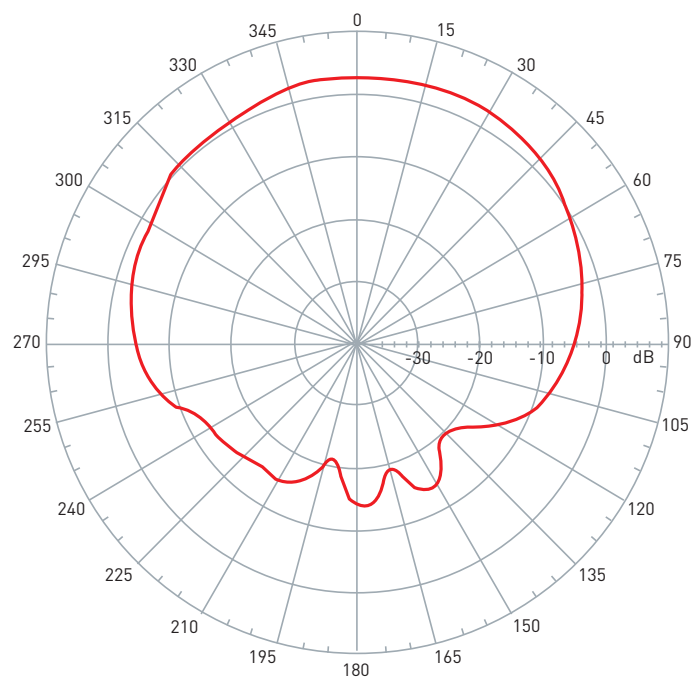


6.3 YZ Plane

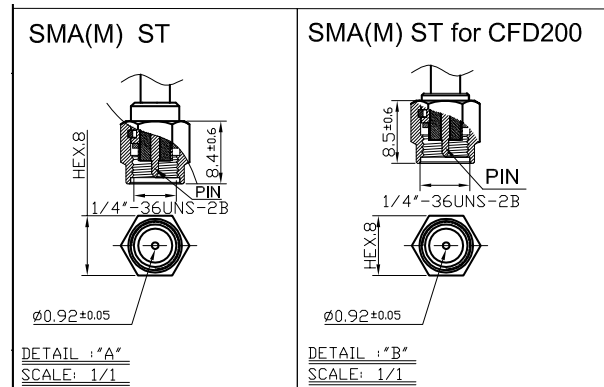
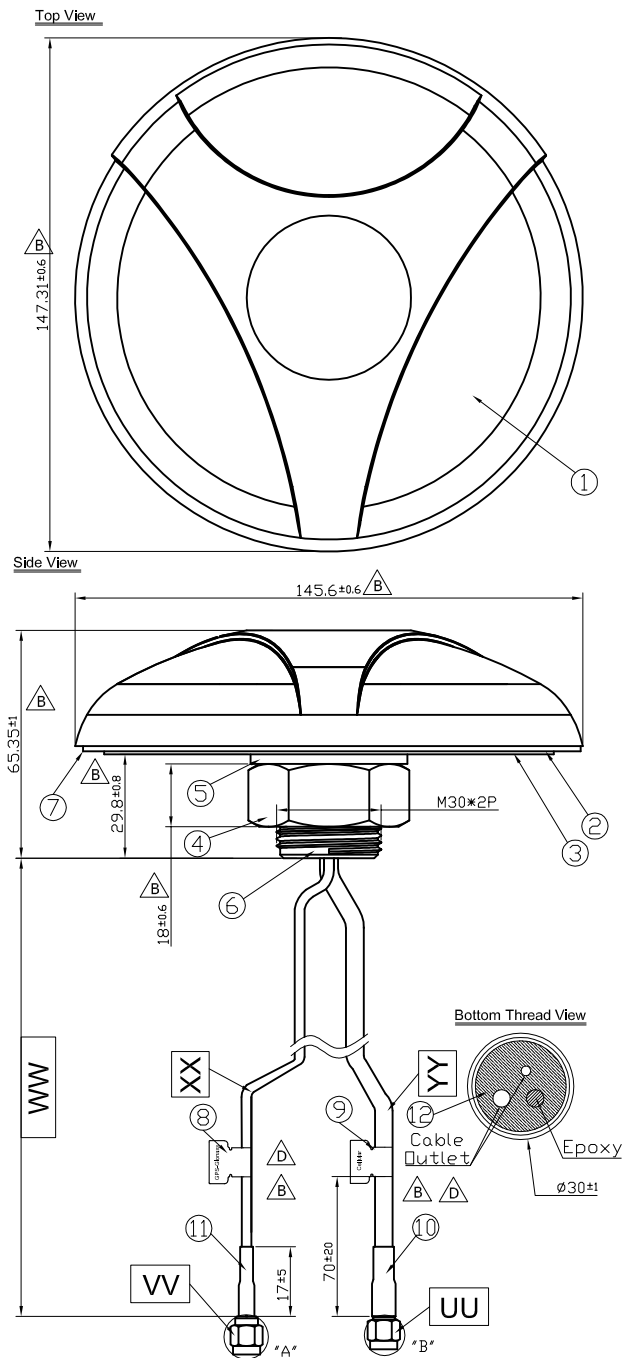
6.3.1 1575MHz



6.3.2 1602MHz



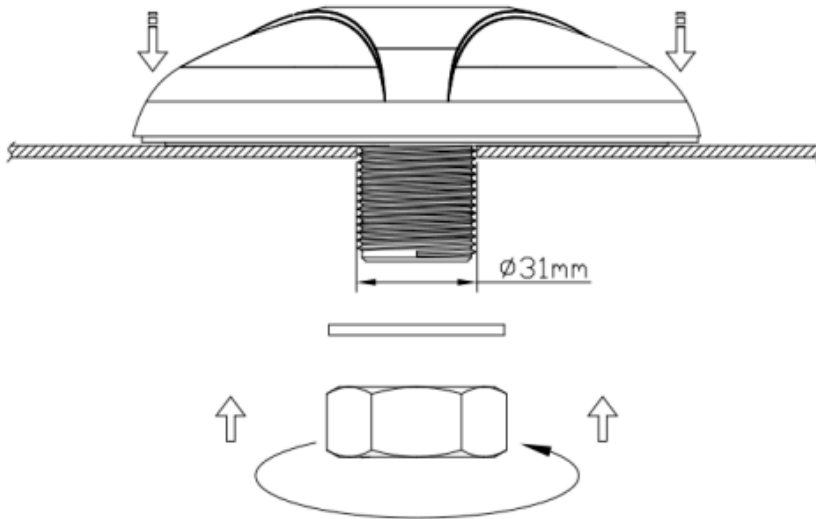
7. Drawings



	Name	Material	Finish	QTY
1	Housing	PC 540	Black	1
2	Closed Cell Foam	CR 4305	Black	1
3	3M Double Adhesive	3M 9448 HK	White Liner	1
4	M30 Nut	Steel AISI 1215	Ni Plated	1
5	Washer	Steel AISI 1215	Ni Plated	1
6	M30 x 2 Thread 32L	Zinc Alloy	Ni Plated	1
7	Waterproof Rubber	Silicon	Black	1
8	GPS/Glonass Label	Coated Paper	Orange	1
9	Cellular Label	Coated Paper	Blue	1
10	Heat Shrink Tube	PE	Black	1
11	Heat Shrink Tube	PE	Black	1
12	Cable Rubber	Silicone Rubber	Black	1

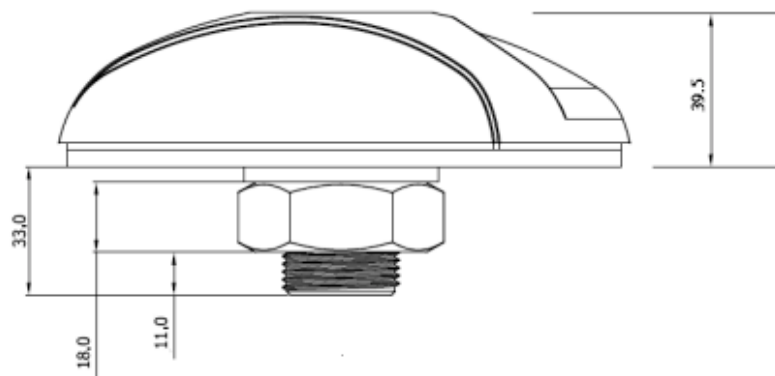
	Name	Spec	Finish	QTY
UU	Connector Type	SMA(M) ST for CFD200	Gold	1
VV	Connector Type	SMA(M) ST	Gold	1
WW	Cable Length	10000 \pm 250mm		1
XX	Cable Type	RG174	Black	1
YY	Cable Type	CFD 200	Black	1

8. Installation

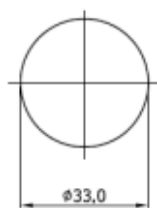


Recommended Torque for Mounting 49N·m

Maximum Torque for Mounting 58.8N·m



**Thread
Diameter**



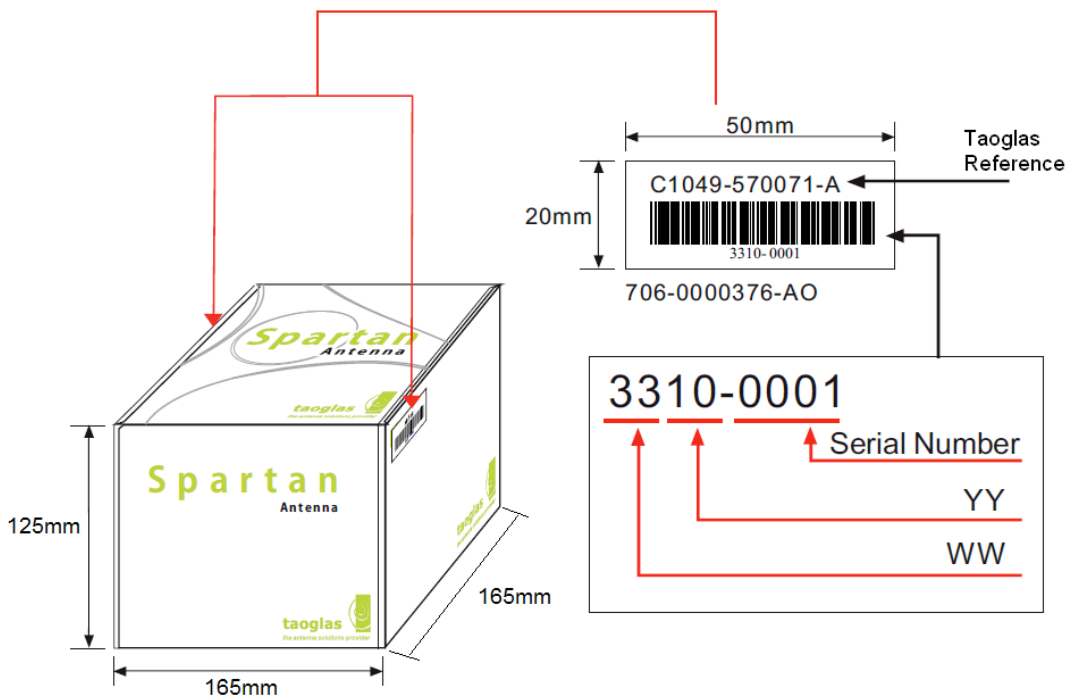
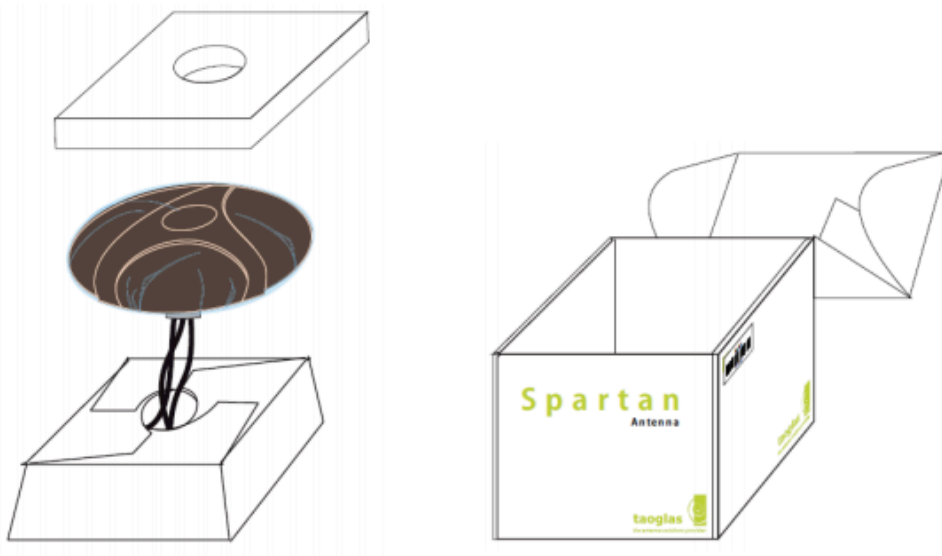
**Recommended
Mounting Hole**

Unit: mm

9. Packaging

1 Antenna per individual box (L: 165mm : B: 165mm : H: 125mm)

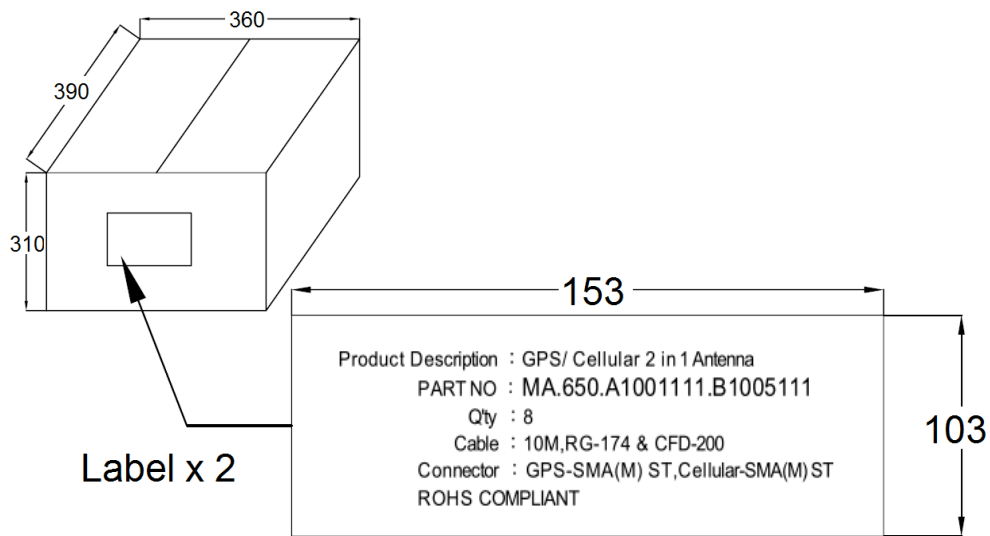
Weight 1.5kg



9. Packaging

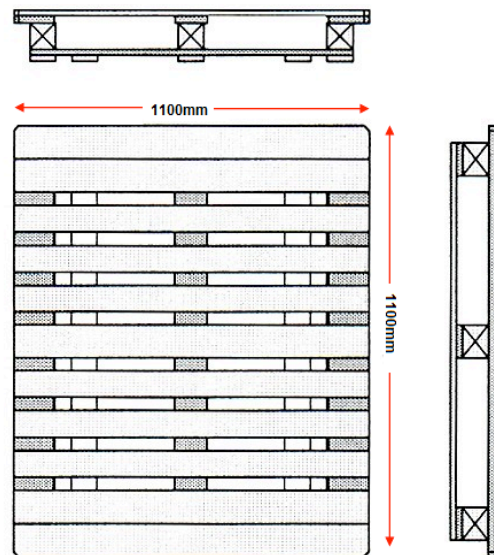
8 Individual boxes per carton (L: 390mm : B: 360mm : H: 310mm)

Weight 12.5kg



32 cartons per pallet (110*110cm)

256 pieces per pallet



Taoglas makes no warranties based on the accuracy or completeness of the contents of this document and reserves the right to make changes to specifications and

product descriptions at any time without notice. Taoglas reserves all rights to this document and the information contained herein.

Reproduction, use or disclosure to third parties without express permission is strictly prohibited.
 Copyright © Taoglas Ltd.